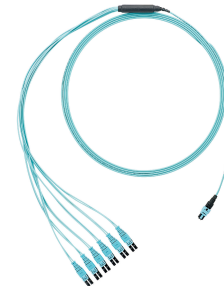


PanMPO™ and MPO Round Harness Cable Assemblies

technical information

PanMPO™ and MPO Round Harness Cable Assemblies are pre-terminated 8 or 12-fiber cable assemblies. The unique design of the PanMPO™ Connector allows for rapid gender and polarity change in the field and enables a seamless, standards-compliant migration from duplex based applications (e.g. 10G Ethernet) to parallel optics based applications (e.g. 40/100G Ethernet). LC push-pull connectors reduce cable density by 40% and allow easy removal in high density installation. All cable assemblies are factory terminated and tested to deliver verified optical performance and reliability for improved network integrity.



application

Connect multiple MPO-based infrastructure components to LC-based components, such as LAN switches, servers, patch panels, and zone distribution areas. Eight fiber, 4-to-1 conversion harnesses connect four 10G LCs to a single 40G MPO. 12-fiber breakout harnesses connect (6) LCs to (1) MPO using traditional fanout wiring.

construction

| | |
|---------------------------------|--|
| Cable type: | 3.0mm round indoor |
| Cable jacket ratings: | Optical Fiber Nonconductive Plenum (OFNP) Low Smoke Zero Halogen (LSZH) |
| Fiber types: | OS2 OM3 OM4 |
| Connector types end 'A': | MPO female (Singlemode) MPO male (Singlemode) PanMPO™ female (Multimode) PanMPO™ male (Multimode) |
| Fiber count: | 8 = 8-fiber 12 = 12-fiber |
| Jacket color: | OS2: Yellow OM3: Aqua OM4: Aqua |
| Connector types end 'B': | LC Connector (Push-Pull) LC Duplex Connector |

optical properties

| | | |
|--|----------------|--|
| Maximum cable attenuation: | Multimode: | 3.5dB/km at 850nm, 1.5dB/km at 1300nm |
| Maximum connector insertion loss: | Standard MPO: | 0.50dB |
| | Optimized MPO: | 0.35dB |
| | Standard LC: | 0.25dB |
| | Optimized LC: | 0.15dB |
| Minimum connector Return Loss: | Singlemode: | 55dB minimum |
| | Multimode: | 26dB minimum |

physical properties

| | |
|-------------------------------------|--------------------|
| Cable outside diameter (OD): | 3.0mm |
| Minimum bend radius: | 30mm |
| Flex: | 100 cycles at 4.9N |
| Twist: | 10 cycles @15N |
| Cable retention strength: | 50N |
| Connector durability: | 500 mating cycles* |

environmental properties

| | |
|--|---------------|
| Operating temperature: | 0°C to 60°C |
| Storage and shipping temperature: | -40°C to 70°C |
| Installation temperature: | 0°C to 60°C |

standards

Meets or exceeds ISO/IEC 11801, TIA/EIA-568-C.3, TIA-604-5 (FOCIS-5), TIA/EIA-604-10 (FOCIS-10), TIA/EIA-568-C.1

RoHS Compliant

*With proper cleaning and inspection

PanMPO™ and MPO Round Harness Cable Assemblies

part number

Example: FZTRP8QQSSNF003 = Fiber OM4, 12-fiber, round, plenum rated, PanMPO male to LC duplex LC harness with 61cm equal breakout, standard IL, no pulling eye, 3 feet

| | | | | | | | | | | | | | | | |
|-----------|---|---|---|---|---|---|---|---|---|----|----|----|----|----|----|
| CHARACTER | 1 | 2 | 3 | 4 | 5 | 6 | 7 | 8 | 9 | 10 | 11 | 12 | 13 | 14 | 15 |
| EXAMPLE | F | Z | T | R | P | 8 | N | Q | S | S | N | F | 0 | 0 | 3 |

1 – Fiber Product

F = Fiber

2 – Fiber Type

9 = Singlemode

X = OM3

Z = OM4

3 – Fiber Count

T = 12-fiber

8 = 8-fiber

4 – Cable Type

R = Round

5 – Jacket Type

L = Low Smoke Zero Halogen (LSZH)

P = Optical Fiber Nonconductive Plenum (OFNP)

6 – Connector Type End “A”

5 = Singlemode MPO Female

6 = Singlemode MPO Male

7 = Multimode PanMPO™ Female

8 = Multimode PanMPO™ Male

7 – Connector Variant

N = No variant

8 – Connector Type End “B”

Q = Push/Pull Duplex LC

L = LC Duplex

9 – Connector Variant

S = 24-inch (61 cm)

10 – Performance/Construction

S = Standard IL / Standard Fanout (Singlemode)

O = Optimized IL / Standard Fanout (Multimode)

Q = Standard IL / 4-to-1 Conversion (Singlemode)

V = Optimized IL / 4-to-1 Conversion (Multimode)

N = Ultra Low IL/Standard Fanout (OM4 Only)

11 – Other

N = No variant

12 – Unit of Length

M = Meters

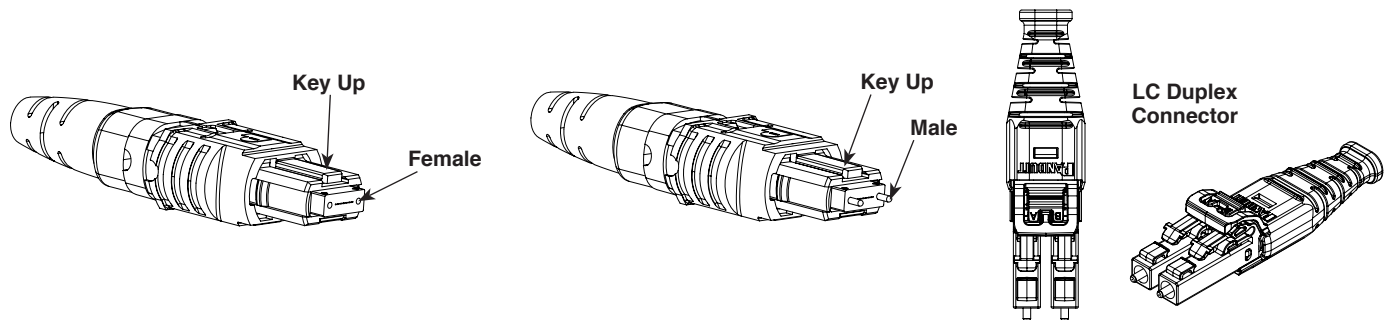
F = Feet

13, 14, 15 – Length

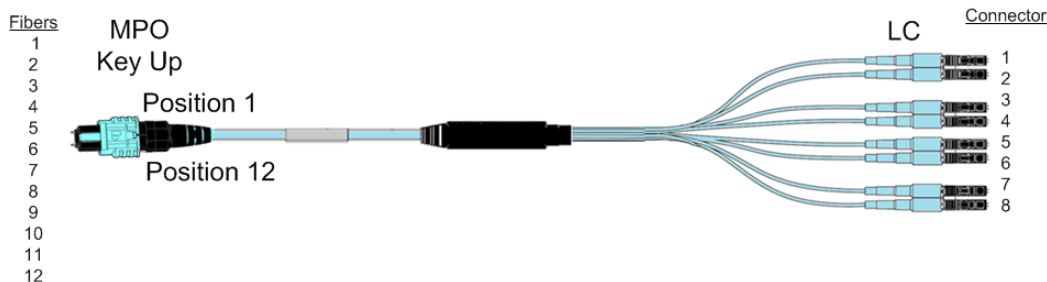
Meters: 001 to 010, 1.5, 2.5, 3.5, 4.5

Feet: 003 to 030

harness assembly detail



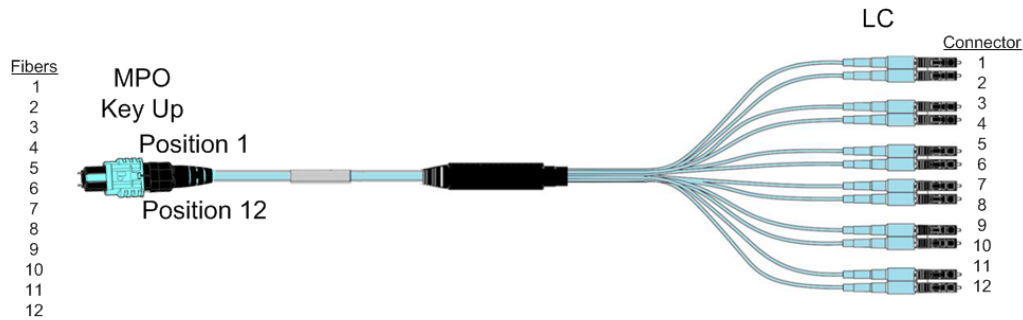
8 Fiber Harness



| 8 Fiber Standard Harness | | | | | | | | | | | | |
|-----------------------------------|---------------------------------------|-----|---|---|-----|-----|-----|-----|---|----|-----|-----|
| MPO End/LC End | Fiber Position From MPO End to LC End | | | | | | | | | | | |
| MPO | n/a | n/a | 3 | 4 | 5 | 6 | 7 | 8 | 9 | 10 | n/a | n/a |
| LC | n/a | n/a | 1 | 2 | 3 | 4 | 5 | 6 | 7 | 8 | n/a | n/a |
| 8 Fiber 4 to 1 Conversion Harness | | | | | | | | | | | | |
| MPO End/LC End | Fiber Position From MPO End to LC End | | | | | | | | | | | |
| MPO | 1 | 2 | 3 | 4 | n/a | n/a | n/a | n/a | 9 | 10 | 11 | 12 |
| LC | 1 | 3 | 5 | 7 | n/a | n/a | n/a | n/a | 8 | 6 | 4 | 2 |

PanMPO™ and MPO Round Harness Cable Assemblies

12 Fiber Harness



| 12 Fiber Standard Harness | | | | | | | | | | | | |
|---------------------------|------------------------|---|---|---|---|---|---|---|---|----|----|----|
| MPO End/LC End | Fiber Position | | | | | | | | | | | |
| | From MPO End to LC End | | | | | | | | | | | |
| MPO | 1 | 2 | 3 | 4 | 5 | 6 | 7 | 8 | 9 | 10 | 11 | 12 |
| LC | 1 | 2 | 3 | 4 | 5 | 6 | 7 | 8 | 9 | 10 | 11 | 12 |

WORLDWIDE SUBSIDIARIES AND SALES OFFICES

PANDUIT CANADA
Markham, Ontario
cs@panduit.com
Phone: 800.777.3300

PANDUIT EUROPE LTD.
London, UK
cs-emea@panduit.com
Phone: 44.20.8601.7200

PANDUIT SINGAPORE PTE. LTD.
Republic of Singapore
cs-ap@panduit.com
Phone: 65.6305.7575

PANDUIT JAPAN
Tokyo, Japan
cs-japan@panduit.com
Phone: 81.3.6863.6000

PANDUIT LATIN AMERICA
Guadalajara, Mexico
cs-la@panduit.com
Phone: 52.33.3777.6000

PANDUIT AUSTRALIA PTY. LTD.
Victoria, Australia
cs-aus@panduit.com
Phone: 61.3.9794.9020

For a copy of Panduit product warranties, log on to www.panduit.com/warranty

PANDUIT®

For more information
Visit us at www.panduit.com
Contact Customer Service by email: cs@panduit.com
or by phone: 800.777.3300

©2017 Panduit Corp.
ALL RIGHTS RESERVED.
FBSP93--WW-ENG
Replaces FBSP81--WW-ENG
2/2017

X-ON Electronics

Largest Supplier of Electrical and Electronic Components

Click to view similar products for [Wire Ducting & Raceways](#) category:

Click to view products by [Panduit](#) manufacturer:

Other Similar products are found below :

[FG5EI25-A](#) [PED12](#) [PED8](#) [PEVEP](#) [FXOE3-10M3](#) [FZD3-3M2](#) [FZLE10-10M2](#) [FZOE10-10M1](#) [FZOLE10-10M2](#) [FZPE3-10M2](#) [923223-000](#)
[PRAF6WH-X](#) [A0405538](#) [1301150342](#) [1301230083](#) [1301150343](#) [1301230086](#) [1301240054](#) [AX101472](#) [AX102652](#) [AX102653](#) [AX102737](#)
[S62DS](#) [S65DS](#) [S75DSH](#) [A0405536](#) [A0405537](#) [A0649869](#) [FXOD3-3M1](#) [FXOE10-10M2](#) [FZLD3-3M2](#) [FZOE3-10M1](#) [FZOE3-10M2](#)
[FZOLE3-10M2](#) [FZOPE10-10M1](#) [FZPD3-3M2](#) [PZRFE4](#) [PZWIFIEN](#) [PZWIFIENA](#) [CNPSNH](#) [CNSPC](#) [5400ES](#) [WDLT-1216-72](#) [655287-000](#)
[S75DS](#) [1301180028](#) [801A-LSP](#) [TGECAW](#) [206461-000](#) [853425-000](#)