

FIGURE 1

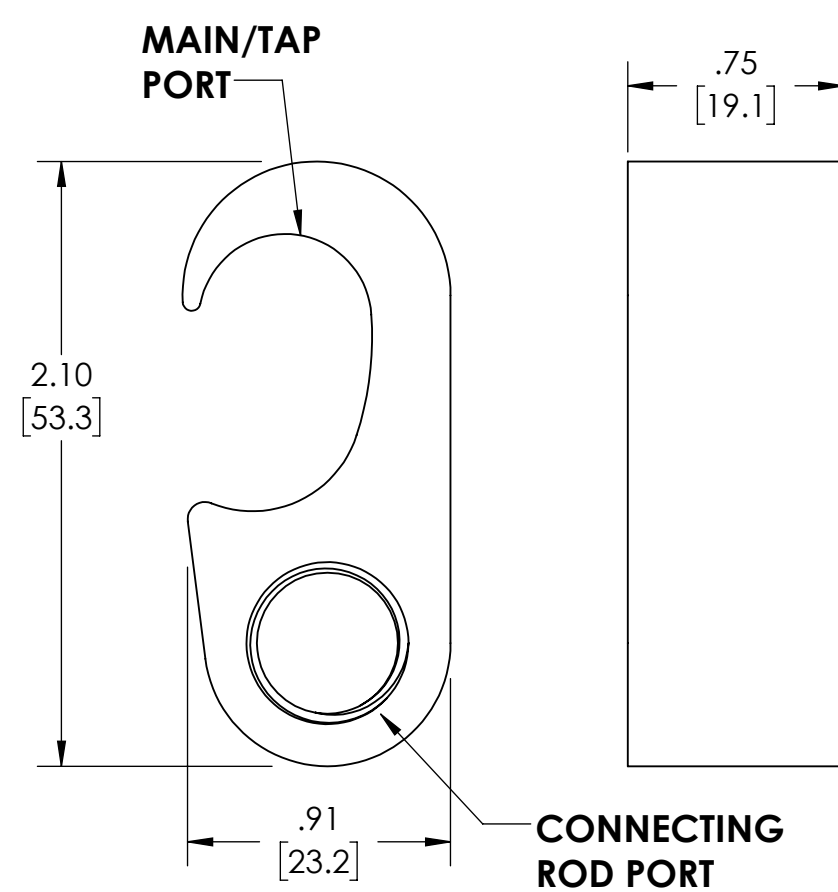


FIGURE 2

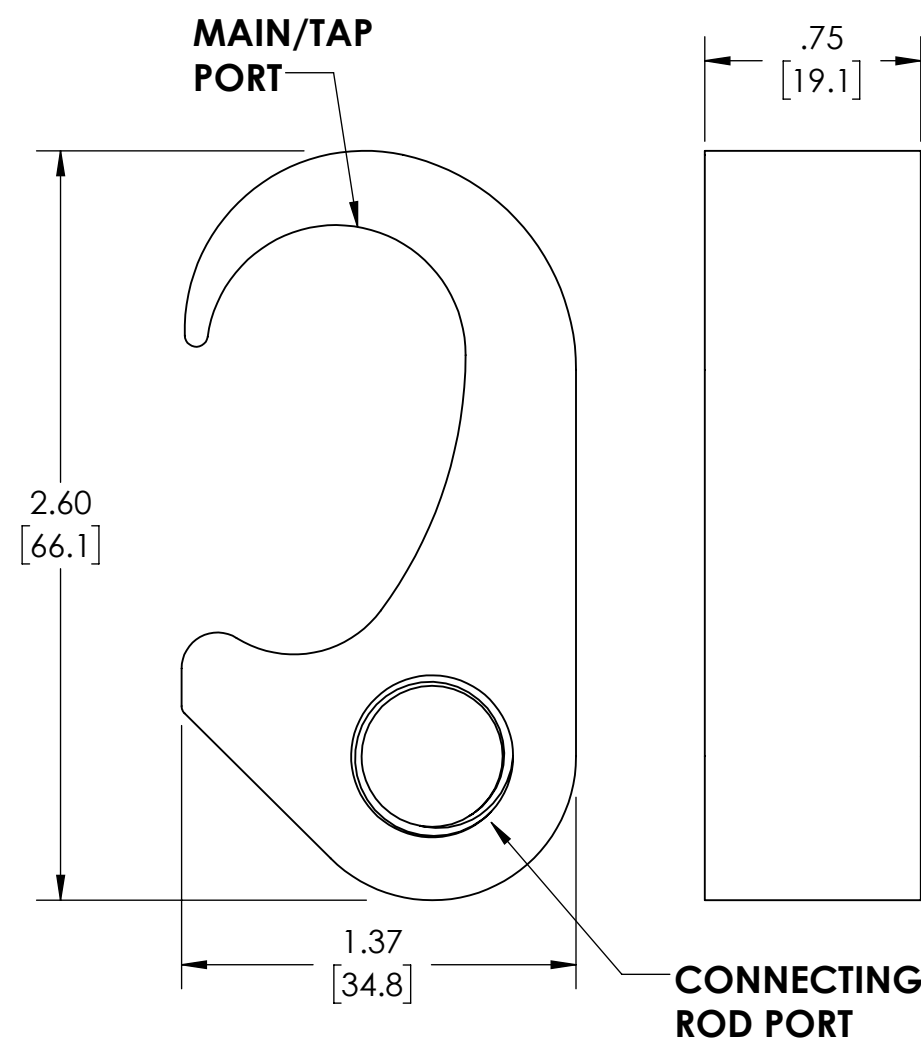


FIGURE 3

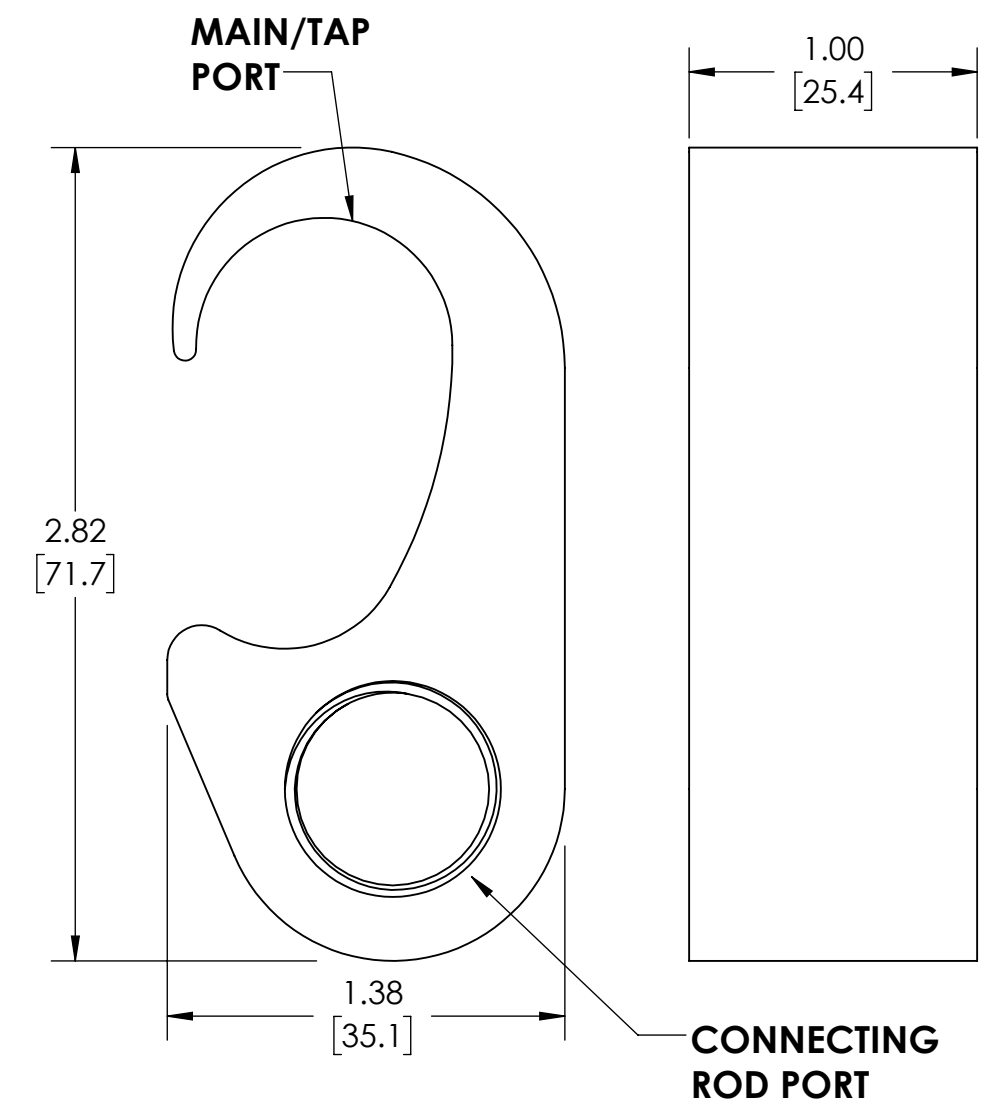
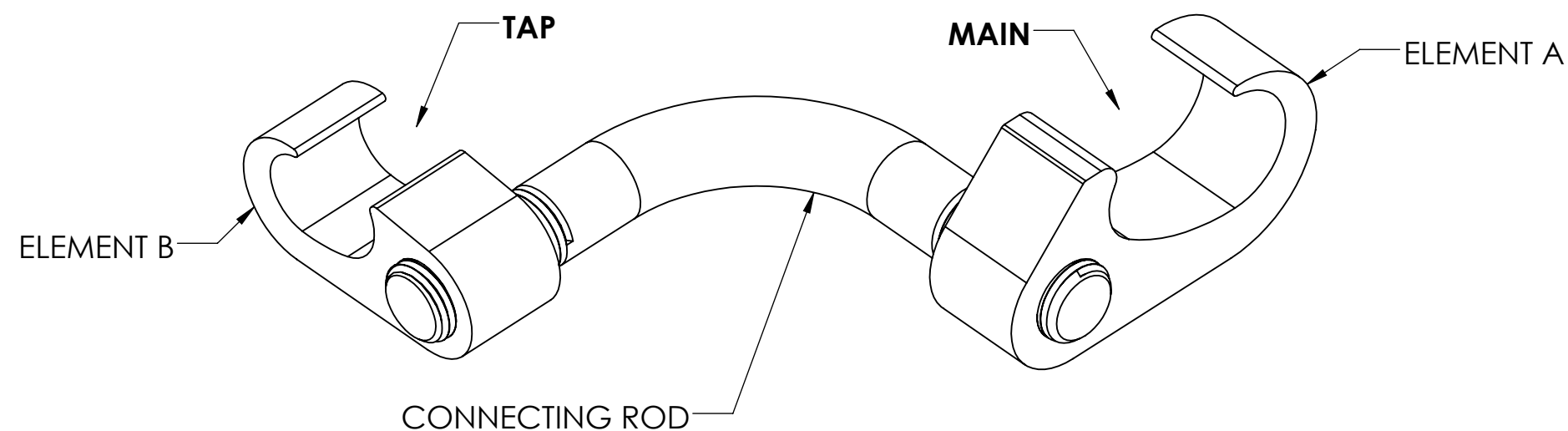


FIGURE 4



PANDUIT PART NUMBER	MAIN - AWG (METRIC)			TAP - AWG (METRIC)	ASSEMBLY			PANDUIT DIE COLOR CODE & INDEX (QTY OF CRIMPS)		STD. PKG. QTY.		
	COPPER CABLE	GROUND ROD	REBAR	COPPER CABLE	ELEMENT A	ELEMENT B	CONNECTING ROD SIZE	ELEMENT A	ELEMENT B			
GCC6-2-2	SOLID: 6 AWG - 2 AWG STRANDED: 6 AWG - 2 AWG (16-25 sq mm)	N/A	N/A	SOLID: 6 AWG - 2 AWG STRANDED: 6 AWG - 2 AWG (16-25 sq mm)	FIGURE 1	FIGURE 1	3/8" ROD	RED PG10 (1)	RED PG10 (1)	1		
GCC6-250-2	SOLID: N/A STRANDED: 2 AWG - 250 kcmil (35-120 sq mm)	1/2" - 5/8" ROD (12.7 - 15.9mm)  ROD TYPES: COPPER CLAD SOLID COPPER STAINLESS STEEL	3/8" - 1/2"; #3-#4 REBAR (9.5-12.7mm, #10M-#13M REBAR)	SOLID: 6 AWG - 2 AWG STRANDED: 6 AWG - 2 AWG (16-25 sq mm)	FIGURE 2	FIGURE 1	3/8" ROD	BLACK PG25 (1)	RED PG10 (1)	1		
GCC6-250-250				SOLID: N/A STRANDED: 2 AWG - 250 kcmil (35-120 sq mm)					FIGURE 2		9/16" ROD	BLACK PG25 (1)
GCC6-500-2	SOLID: N/A STRANDED: 250-500 kcmil (150-240 sq mm)	5/8" - 3/4" ROD (15.9 - 19.1mm)  ROD TYPES: COPPER CLAD SOLID COPPER STAINLESS STEEL	5/8" - 3/4"; #5-#6 REBAR (15.9-19.1mm, #16M-#19M REBAR)	SOLID: 6 AWG - 2 AWG STRANDED: 6 AWG - 2 AWG (16-25 sq mm)	FIGURE 3	FIGURE 1	3/8" ROD	BLUE PG50 (1)	RED PG10 (1)	1		
GCC6-500-250				SOLID: N/A STRANDED: 2 AWG - 250 kcmil (35-120 sq mm)					FIGURE 2		9/16" ROD	BLACK PG25 (1)
GCC6-500-500				SOLID: N/A STRANDED: 250 - 500 kcmil (150-240 sq mm)								FIGURE 4

NOTES:

- DIMENSIONS IN PARENTHESIS ARE MILLIMETERS.
- ALL PARTS ARE cULus LISTED FOR UL 467 FOR GROUNDING APPLICATIONS AND ARE SUITABLE FOR DIRECT BURIAL IN EARTH OR CONCRETE.
- ALL PARTS ARE cULus LISTED FOR UL 486A/B POWER CONNECTOR APPLICATIONS. (NOTE: WIRE-TO-WIRE COMBINATIONS ONLY)
- PRE-APPLIED ANTIOXIDANT COMPOUND ENSURES A HIGH QUALITY MECHANICAL AND ELECTRICAL BOND, SPEEDING INSTALLATION.



REV	DATE	BY	CHK	APR	DESCRIPTION	ECN
02	1/19	DAOS	JHNU	RGB	REVISED METRIC WIRE RANGE	
01	12/18	DAOS	JHNU	RGB	ADDED CLARITY TO NOTES 2 & 3, ADDED ROD TYPES TO TABLE	
00	7/18	DAOS	JHNU	RGB	DRAWING RELEASED	

TITLE		FIGURE 6 TO 6 SERIES COPPER COMPRESSION GROUNDING TAP CONNECTORS			
ITEM REVISION NAME		00195EAB/02			
DATASET FILE NAME		00195EAB-DC/02.SLDDRW			
UNLESS OTHERWISE SPECIFIED, DIMENSIONAL TOLERANCES ARE: IN [mm]		.X ± .XXX ± .XX ± ANGLES ±			
THIRD ANGLE PROJECTION		DRAWING NUMBER 00195EAB-DC			
DRAWN BY	DATE	CHK	SCALE	SHEET 1 OF 1	
DAOS	7/5/18	JHNU	N/A	C	

## X-ON Electronics

Largest Supplier of Electrical and Electronic Components

*Click to view similar products for [Terminals](#) category:*

*Click to view products by [Panduit](#) manufacturer:*

Other Similar products are found below :

[00-054007-01074-6](#) [00-054007-70206-1](#) [00-054007-70210-8](#) [00-054007-70217-7](#) [00-054007-70226-9](#) [00-054007-70228-3](#) [00-054007-70248-1](#) [00-054007-70256-6](#) [00-054007-70301-3](#) [00-054007-70316-7](#) [0-0320562-0](#) [00-054007-49560-4](#) [00-054007-70209-2](#) [00-054007-70225-2](#) [00-054007-70227-6](#) [00-054007-70231-3](#) [00-054007-70241-2](#) [00-054007-70242-9](#) [00-054007-70244-3](#) [00-054007-70246-7](#) [00-054007-70263-4](#) [00-054007-70288-7](#) [00-054007-70290-0](#) [00-054007-70300-6](#) [00-054007-70304-4](#) [01-2065-1-0216](#) [01-2900-1-04412](#) [00581P0075](#) [600TS-10](#) [60205-1](#) [604200-1](#) [605601-1](#) [60598-1-CUT-TAPE](#) [61314-6-C](#) [61810-3](#) [61-S](#) [61-SN](#) [626-0194](#) [62-NBM-A](#) [62-SN](#) [62-SP](#) [63-S](#) [640179-1](#) [M55155/059I03](#) [M55155/079C01](#) [M55155/099H02](#) [M55155/109H01](#) [M55155/109H02](#) [M55155/12XH05](#) [M55155/16XH02](#)