

FIGURE 1

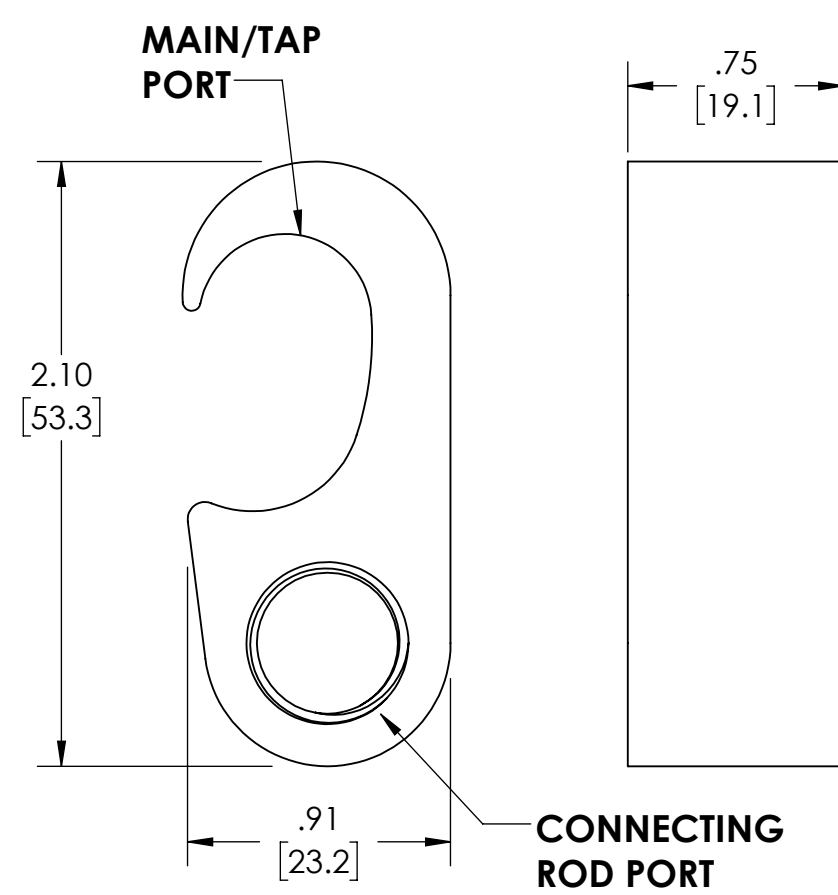


FIGURE 2

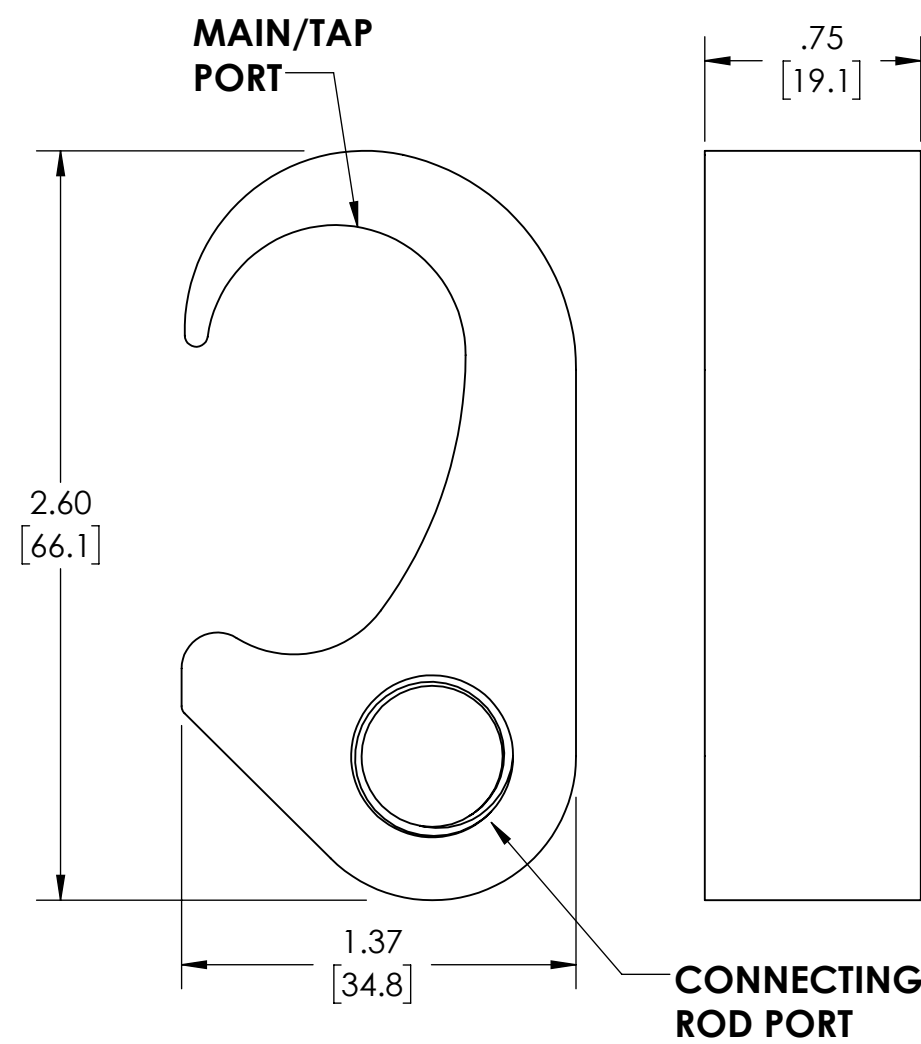


FIGURE 3

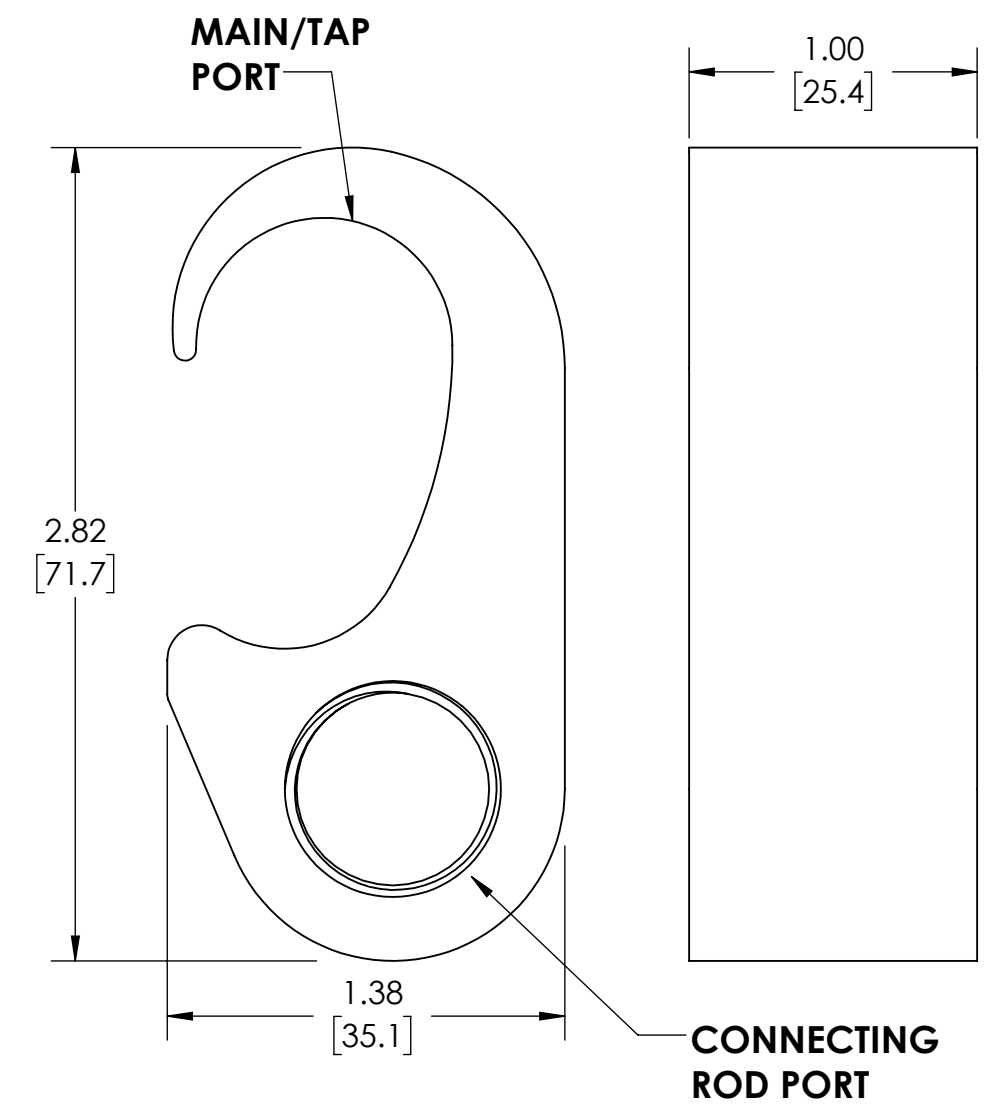
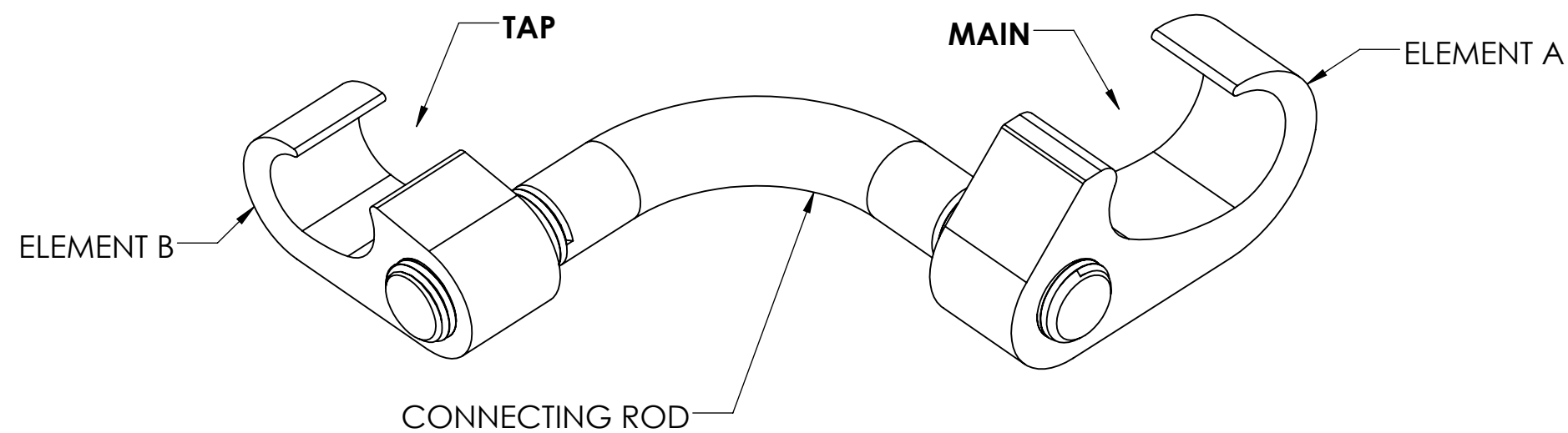


FIGURE 4



PANDUIT PART NUMBER	MAIN - AWG (METRIC)			TAP - AWG (METRIC)	ASSEMBLY			PANDUIT DIE COLOR CODE & INDEX (QTY OF CRIMPS)		STD. PKG. QTY.		
	COPPER CABLE	GROUND ROD	REBAR		ELEMENT A	ELEMENT B	CONNECTING ROD SIZE	ELEMENT A	ELEMENT B			
GCC6-2-2	SOLID: 6 AWG - 2 AWG STRANDED: 6 AWG - 2 AWG (16-25 sq mm)	N/A	N/A	SOLID: 6 AWG - 2 AWG STRANDED: 6 AWG - 2 AWG (16-25 sq mm)	FIGURE 1	FIGURE 1	3/8" ROD	RED PG10 (1)	RED PG10 (1)	1		
GCC6-250-2	SOLID: N/A STRANDED: 2 AWG - 250 kcmil (35-120 sq mm)	1/2" - 5/8" ROD (12.7 - 15.9mm)  ROD TYPES: COPPER CLAD SOLID COPPER STAINLESS STEEL	3/8" - 1/2"; #3-#4 REBAR (9.5-12.7mm, #10M-#13M REBAR)	SOLID: 6 AWG - 2 AWG STRANDED: 6 AWG - 2 AWG (16-25 sq mm)	FIGURE 2	FIGURE 1	3/8" ROD	BLACK PG25 (1)	RED PG10 (1)	1		
GCC6-250-250				SOLID: N/A STRANDED: 2 AWG - 250 kcmil (35-120 sq mm)					FIGURE 2		9/16" ROD	BLACK PG25 (1)
GCC6-500-2	SOLID: N/A STRANDED: 250-500 kcmil (150-240 sq mm)	5/8" - 3/4" ROD (15.9 - 19.1mm)  ROD TYPES: COPPER CLAD SOLID COPPER STAINLESS STEEL	5/8" - 3/4"; #5-#6 REBAR (15.9-19.1mm, #16M-#19M REBAR)	SOLID: 6 AWG - 2 AWG STRANDED: 6 AWG - 2 AWG (16-25 sq mm)	FIGURE 3	FIGURE 1	3/8" ROD	BLUE PG50 (1)	RED PG10 (1)	1		
GCC6-500-250				SOLID: N/A STRANDED: 2 AWG - 250 kcmil (35-120 sq mm)					FIGURE 2		9/16" ROD	BLACK PG25 (1)
GCC6-500-500				SOLID: N/A STRANDED: 250 - 500 kcmil (150-240 sq mm)								FIGURE 4

NOTES:

- DIMENSIONS IN PARENTHESIS ARE MILLIMETERS.
- ALL PARTS ARE cULus LISTED FOR UL 467 FOR GROUNDING APPLICATIONS AND ARE SUITABLE FOR DIRECT BURIAL IN EARTH OR CONCRETE.
- ALL PARTS ARE cULus LISTED FOR UL 486A/B POWER CONNECTOR APPLICATIONS. (NOTE: WIRE-TO-WIRE COMBINATIONS ONLY)
- PRE-APPLIED ANTIOXIDANT COMPOUND ENSURES A HIGH QUALITY MECHANICAL AND ELECTRICAL BOND, SPEEDING INSTALLATION.



REV	DATE	BY	CHK	APR	DESCRIPTION	ECN
02	1/19	DAOS	JHNU	RGB	REVISED METRIC WIRE RANGE	
01	12/18	DAOS	JHNU	RGB	ADDED CLARITY TO NOTES 2 & 3, ADDED ROD TYPES TO TABLE	
00	7/18	DAOS	JHNU	RGB	DRAWING RELEASED	

TITLE		FIGURE 6 TO 6 SERIES COPPER COMPRESSION GROUNDING TAP CONNECTORS	
ITEM REVISION NAME		00195EAB/02	
DATASET FILE NAME		00195EAB-DC/02.SLDDRW	
UNLESS OTHERWISE SPECIFIED, DIMENSIONAL TOLERANCES ARE: IN [mm]		.X ± .XXX ± .XX ± ANGLES ±	
THIRD ANGLE PROJECTION		DRAWING NUMBER 00195EAB-DC	
DRAWN BY	DATE	CHK	SCALE
DAOS	7/5/18	JHNU	N/A
SHEET 1 OF 1		SIZE C	

## X-ON Electronics

Largest Supplier of Electrical and Electronic Components

*Click to view similar products for [Terminals](#) category:*

*Click to view products by [Panduit](#) manufacturer:*

Other Similar products are found below :

[HT-13-10](#) [71M-250-32-NB](#) [01-2065-1-0216](#) [00581P0075](#) [M10-10RX](#) [M10BCK](#) [60205-1](#) [604200-1](#) [60598-1-CUT-TAPE](#) [60617-1-C](#) [60873-1](#) [M14-516R/SK](#) [M14-6RSX](#) [M18-10FLX](#) [M18-8FBX](#) [M18-8R/LX](#) [M18BCK](#) [61314-6-C](#) [61-S](#) [61-SN](#) [61-SN-A](#) [62-NBM-A](#) [62-SN](#) [62-SP](#) [63-S](#) [640179-1](#) [640917-2-CUT-TAPE](#) [6501550002](#) [66107-2-C](#) [66107-4-C](#) [696683-1](#) [696834-1](#) [696861-1](#) [696931-1](#) [696999-1](#) [M8-516RK](#) [M86700006](#) [MA250DMFMX-A](#) [701-2007](#) [701-2307](#) [701-7761-03](#) [70F-110-32-PB](#) [718-N-A](#) [71M-187-20-NBL](#) [71M-250-32-NBL](#) [72F-187-20-NBL](#) [72M-250-32-NBL](#) [7310](#) [73F-250-32](#) [73F-250-32-NBL](#)