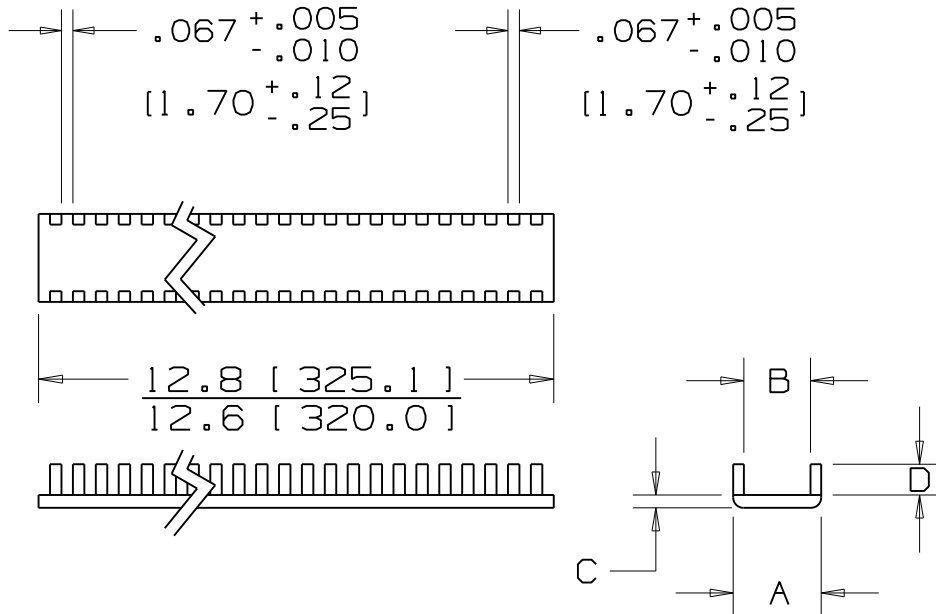


THIS COPY IS PROVIDED ON A RESTRICTED BASIS AND IS NOT TO BE USED IN ANY WAY DETRIMENTAL TO THE INTERESTS OF PANDUIT CORP.



PANDUIT PART NO. *	PLASTIC DIM. in(mm)				PANEL THICKNESS RANGE	WEIGHT lbs (g) /100 pcs
	A +.015 -.005	B +.015 -.005	C +.015 -.005	D +.020 -.005		
GE52-69	.150 (3.81)	.056 (1.42)	.055 (1.40)	.100 (2.54)	.015-.052 (.38-1.32)	.64 (292)
GE85-69	.175 (4.45)	.090 (2.29)	.055 (1.40)	.100 (2.54)	.052-.085 (1.32-2.16)	.69 (312)
GE128-69	.220 (5.59)	.131 (3.33)	.055 (1.40)	.100 (2.54)	.085-.128 (2.16-3.25)	.82 (371)
GE192-69	.325 (8.26)	.195 (4.95)	.070 (1.78)	.160 (4.06)	.128-.192 (3.25-4.88)	1.69 (766)

NOTES:

- 1) SEE CURRENT PRICE SHEET FOR PART NUMBER SUFFIX DESIGNATION FOR PACKAGE SIZE.
- \* 2) COLOR--IVORY.
- 3) SLOTTED WALL NYLON EDGING SHOULD BE USED TO DRESS INSIDE PANEL CUT OUTS, AND IS NOT RECOMMENDED FOR OUTSIDE PANEL EDGES.

(DIMENSIONS IN PARENTHESES ARE IN METRIC.)

CAD FILENAME/LAYERS G00239FB\_DC\_02

**PANDUIT** CORP. TINLEY PARK, ILLINOIS

GROMMET EDGING--GE  
(FLAME RETARDANT)

UNLESS OTHERWISE SPECIFIED,  
DIMENSIONAL TOLERANCES ARE:  
(.X) ±0.1(2.5) (.XXX) ±0.02(0.5)  
(.XX) ±0.05(1.3) ANGLES ±5°

UNLESS OTHERWISE SPECIFIED,  
ALL DIMENSIONS ARE GIVEN  
IN INCHES, THIRD ANGLE PROJECTION.

REV	DATE	BY	CHK	DESCRIPTION	ECN	R	CUST	SUP
2	8-13-98	CGSM		REMOVED REFERENCE TO NOTE 4	GB0239FB	2		
1	8-5-98	CPE		ADDED NOTE #3, UPDATED FILE NAME	GB0239FB	1		
R	7-15-97	CGSM		INITIAL RELEASE	GB0239FB	R		

DRAWN BY  
CGSM  
DATE  
7-15-97  
CHK'D

MAT'L:  
NYLON

SCALE NONE  
DRAWING NO.  
GB0239FB  
DWG  
A  
SIZE

## X-ON Electronics

Largest Supplier of Electrical and Electronic Components

*Click to view similar products for [Grommets & Bushings](#) category:*

*Click to view products by [Panduit](#) manufacturer:*

Other Similar products are found below :

[M10-036565-101](#) [M10-036565-143](#) [M10-036565-183](#) [205339-4](#) [M10-036565-122](#) [M10-036565-163](#) [3-1991136-0](#) [561-FGUP0850B](#) [561-MP13716](#) [561-FGUP0400N](#) [1398081-1](#) [1301800320](#) [M10-036565-232](#) [2298](#) [4014B](#) [2407](#) [2141-P](#) [HTL-40-10-TPE](#) [2417-P](#) [2917-P](#) [3108-P](#) [2871-P](#) [1342664](#) [100187](#) [100188](#) [100216](#) [100223](#) [100236](#) [52001970](#) [52002010](#) [52002020](#) [52002050](#) [1301800412](#) [FEM 27-35](#) [100175](#) [100176](#) [100178](#) [100182](#) [100196](#) [100238](#) [100244](#) [100744](#) [100084](#) [100174](#) [100177](#) [100179](#) [100180](#) [100181](#) [100186](#) [100721](#)