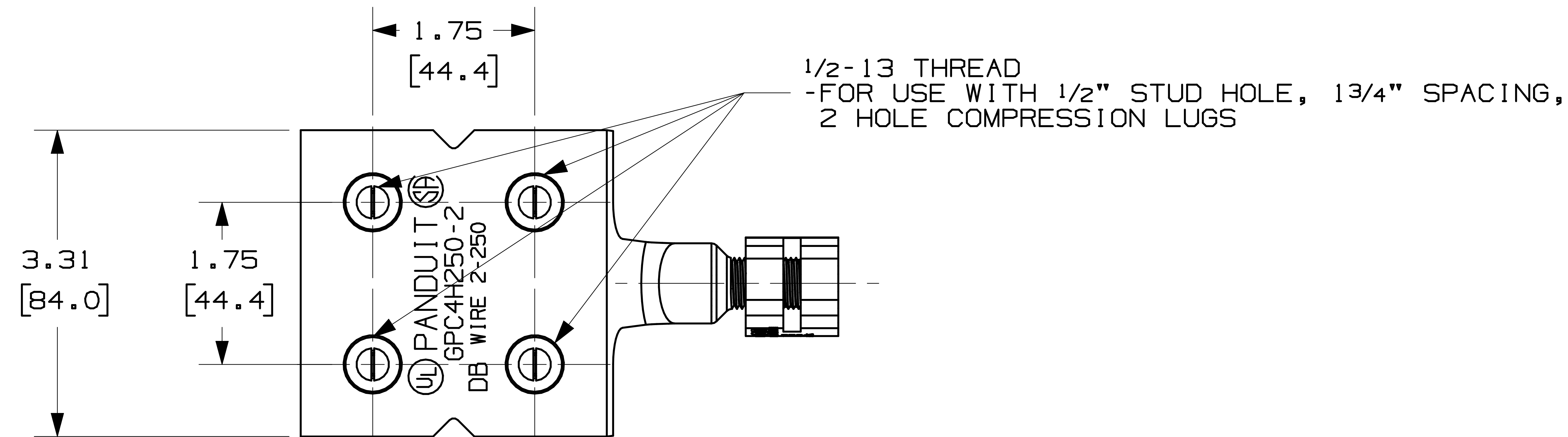
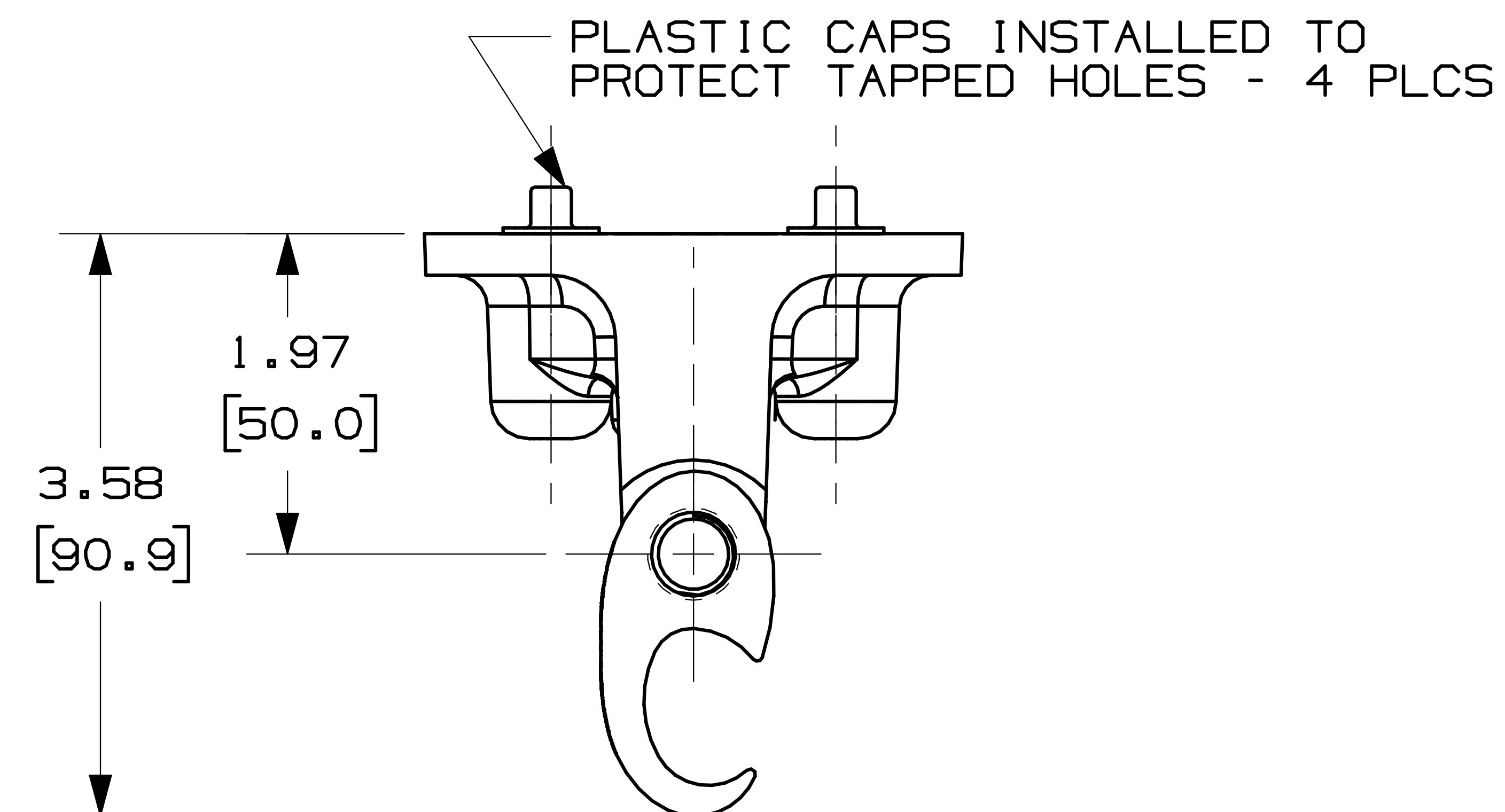
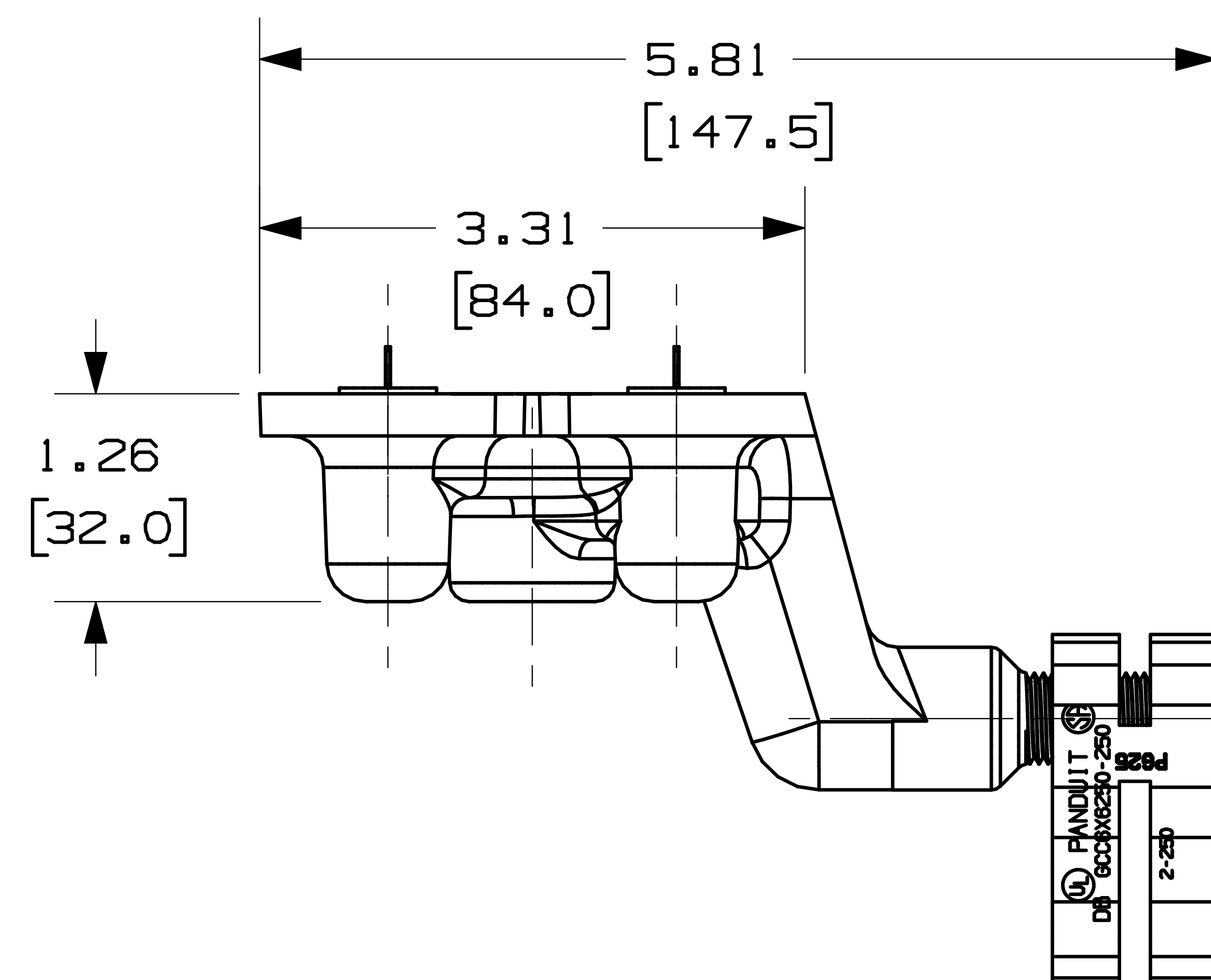


THIS COPY IS PROVIDED ON A RESTRICTED BASIS AND IS NOT TO BE USED IN ANY WAY DETRIMENTAL TO THE INTERESTS OF PANDUIT CORP.



NOTES:

1. DIMENSIONS IN PARENTHESIS ARE MILLIMETERS.
2. UL 467 LISTED AND CSA 22.2 CERTIFIED FOR GROUNDING AND BONDING SUITABLE FOR DIRECT BURIAL IN EARTH OR CONCRETE WHEN CRIMPED WITH PANDUIT OR INDUSTRY STANDARD CRIMPING TOOLS AND PANDUIT DIES.
3. PRE-APPLIED ANTIOXIDANT COMPOUND ENSURES A HIGH QUALITY MECHANICAL AND ELECTRICAL BOND, SPEEDING INSTALLATION.
4. ENHANCED CRIMP PROCESS WITH PATENTED TECHNOLOGY MEETS IEEE STD 837-2002.
5. CABLE TIES ARE PROVIDED TO RETAIN WIRES IN POSITION DURING CRIMPING.



PANDUIT PART NUMBER	COPPER CONDUCTOR SIZE RANGE AWG - [MM]	THREAD SIZE FOR LUG ATTACHMENT	PANDUIT COLOR CODE	PANDUIT DIE INDEX NO.	STD. PKG QTY
GPC4H250-2	#2 SOL - 250 KCMIL (35-120 SQ MM)	1/2-13	BLACK	PG25	1

CAD FILENAME/LAYERS N10726AE\_DS\_GPC4H250-2\_00A

REV	DATE	BY	CHK	DESCRIPTION	ECN	CUST
00	4/08	JHNU	RGB	DRAWING RELEASED		

**PANDUIT** CORP TINLEY PARK, ILLINOIS  
 GROUNDING PLATE CONNECTOR (GPC4H250-2)  
 CUSTOMER DRAWING

UNLESS OTHERWISE SPECIFIED, DIMENSIONAL TOLERANCES ARE:  
 (.X) ± .03      (.XXX) ± .005  
 (.XX) ± .03      ANGLES ± 1°

UNLESS OTHERWISE SPECIFIED, ALL DIMENSIONS ARE GIVEN IN INCHES, THIRD ANGLE PROJECTION

DRAWN BY JHNU      MAT'L: CAST BRONZE  
 DATE 4/08  
 SCALE NONE  
 DRAWING NO. C41750      DWG SIZE B

## X-ON Electronics

Largest Supplier of Electrical and Electronic Components

*Click to view similar products for [Cable Mounting & Accessories](#) category:*

*Click to view products by [Panduit](#) manufacturer:*

Other Similar products are found below :

[HP-4N](#) [582603-1](#) [009333-000](#) [727844N003](#) [809090N001](#) [8109](#) [843188-000](#) [843459N001](#) [843460N003](#) [8666](#) [967279N002](#) [GPQC1/0](#) [DB-11](#) [1300830208](#) [1300840039](#) [1300900026](#) [1300990052](#) [1301740005](#) [1301800121](#) [1301800416](#) [1300830184](#) [1300990149](#) [1301580036](#) [1301720103](#) [1301720135](#) [1301720152](#) [1301720157](#) [1301740009](#) [1301770011](#) [1301850553](#) [1301860939](#) [1302000074](#) [1302264431](#) [1337706-2](#) [APA18-AK](#) [MTX6UTPSRC-C](#) [1-787307-1](#) [185491N001](#) [HP-6N](#) [C-202-C](#) [202C221-13-0](#) [OMTM-S10-C0](#) [205339-4](#) [CA7308-000](#) [8S23-75FR-CS8184](#) [2684](#) [9648](#) [3089](#) [988382-000](#) [A0270164](#)