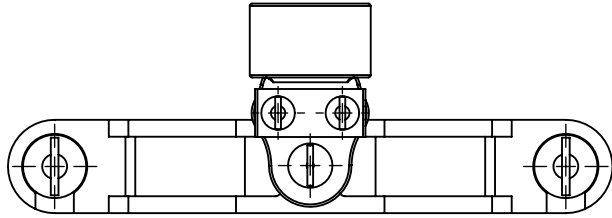
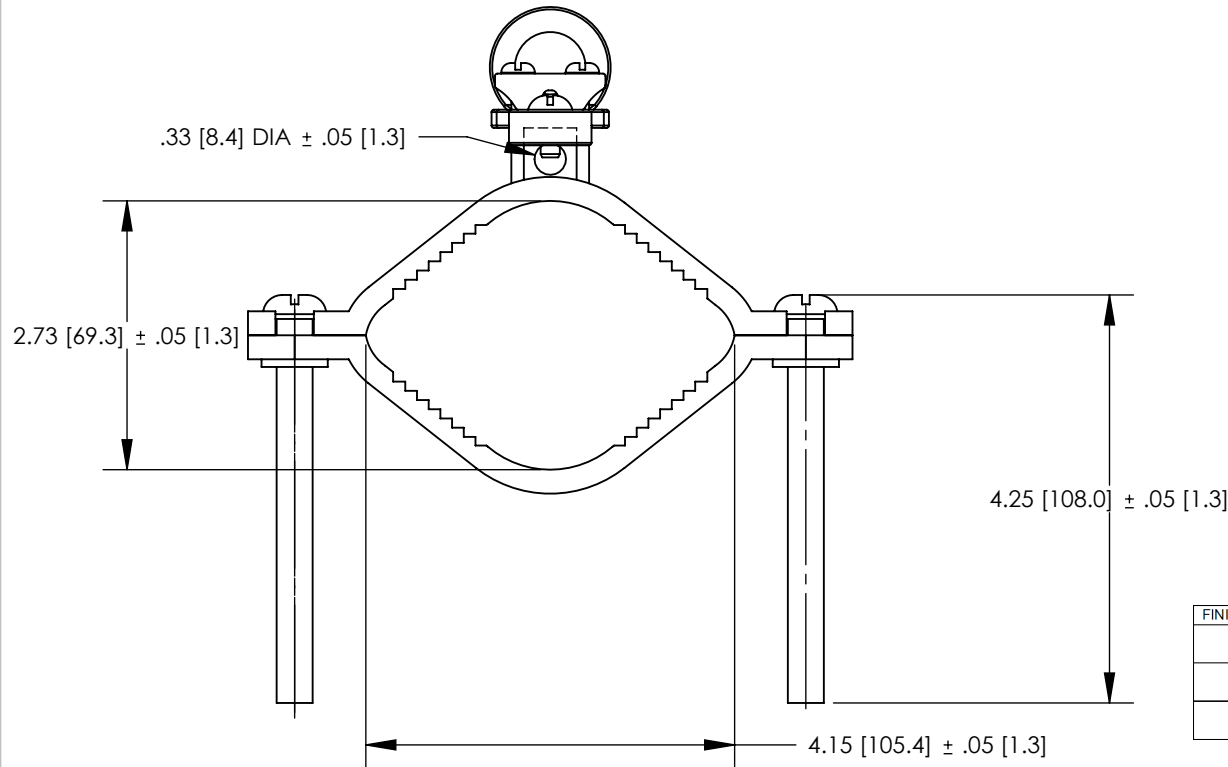
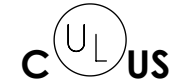


THIS COPY IS PROVIDED ON A RESTRICTED BASIS AND IS NOT TO BE USED IN ANY WAY DETRIMENTAL TO THE INTERESTS OF PANDUIT CORP.



NOTES:

- MATERIAL:
BODY - BRONZE (GUN METAL)
SCREW - STEEL, ZINC PLATED
- PARTS ARE cULus LISTED TO UL467 AS
GROUNDING & BONDING EQUIPMENT.
- SEE WWW.PANDUIT.COM FOR PART NUMBER
SUFFIX DESIGNATION FOR PACKAGE SIZE.



FINISHED PART NUMBER	DESCRIPTION	WATER PIPE	GROUNDING WIRE
GPCG2/0-4-12	GROUND CLAMP FOR RIGID CONDUIT 360 DEG HUB CONDUIT 1/2"	2-1/2" - 4"	10 - 2/0 STR
GPCG2/0-4-34	GROUND CLAMP FOR RIGID CONDUIT 360 DEG HUB CONDUIT 3/4"	2-1/2" - 4"	10 - 2/0 STR
GPCG3/0-4-1	GROUND CLAMP FOR RIGID CONDUIT 360 DEG HUB CONDUIT 1"	2-1/2" - 4"	10 - 3/0 STR

REV	DATE	BY	CHK	APR	DESCRIPTION	ECN
00	7/12	JHNU	SRBI	RGB	DRAWING RELEASED	10J018AP-JC

TITLE BRONZE GROUND PIPE CLAMP - 2-1/2" - 4" CUSTOMER DRAWING	
ITEM REVISION NAME	10J018AP/00
DATASET FILE NAME	10J018AP-JC/00.SLDDRW
UNLESS OTHERWISE SPECIFIED, DIMENSIONAL TOLERANCES ARE: IN [mm] .X ± .XXX ± .XX ± ANGLES ±	
THIRD ANGLE PROJECTION	
DRAWING NUMBER 10J018AP-JC	
DRAWN BY JHNU	DATE 7/12
CHK SRBI	SCALE N/A
SHEET 1 OF 1	
SIZE A	



MATERIAL
SEE NOTES

X-ON Electronics

Largest Supplier of Electrical and Electronic Components

Click to view similar products for [Cable Mounting & Accessories](#) category:

Click to view products by [Panduit](#) manufacturer:

Other Similar products are found below :

[582603-1](#) [009333-000](#) [727844N003](#) [747](#) [809090N001](#) [843188-000](#) [8666](#) [967279N002](#) [DB-11](#) [1300840039](#) [1300900096](#) [1301800416](#)
[1302264450](#) [1300830184](#) [1300830729](#) [1300900039](#) [1301580036](#) [1301850553](#) [1301860939](#) [1302000074](#) [1302261315](#) [1302264431](#)
[1337706-2](#) [APA18-AK](#) [1724](#) [1-787307-1](#) [185491N001](#) [1868](#) [HP-6N](#) [C-202-C](#) [202C221-13-0](#) [CA7308-000](#) [8S23-75FR-CS8184](#) [2684](#) [9648](#)
[3089](#) [988382-000](#) [A72821-000](#) [AA401](#) [173506-000](#) [1823](#) [202C292-13-0](#) [202C302-13-0](#) [2109](#) [300625](#) [3330](#) [3412](#) [356247-1](#) [M9142](#)
[M9143](#)