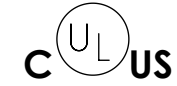


NOTES:

- MATERIAL:  
BODY - BRONZE (GUN METAL)  
SCREW - PHOS. BRONZE (GPCH4/0-1D, GPCH4/0-2D)  
STEEL, ZINC PLATED
- PARTS ARE cULus LISTED TO UL467 AS GROUNDING & BONDING EQUIPMENT.
- RATED FOR DIRECT BURIAL (GPCH4/0-1D, GPCH4/0-2D ONLY)
- SEE WWW.PANDUIT.COM FOR PART NUMBER SUFFIX DESIGNATION FOR PACKAGE SIZE.



GPCH4/0-1D  
GPCH4/0-2D  
ONLY

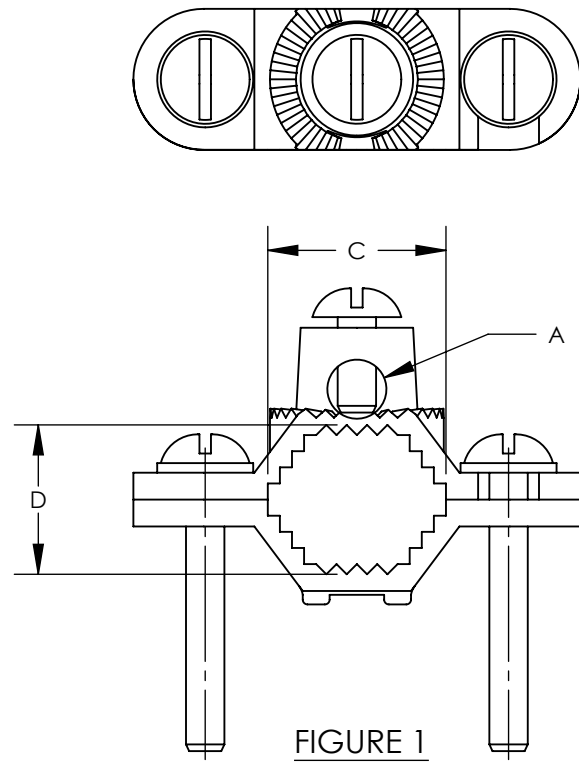


FIGURE 1

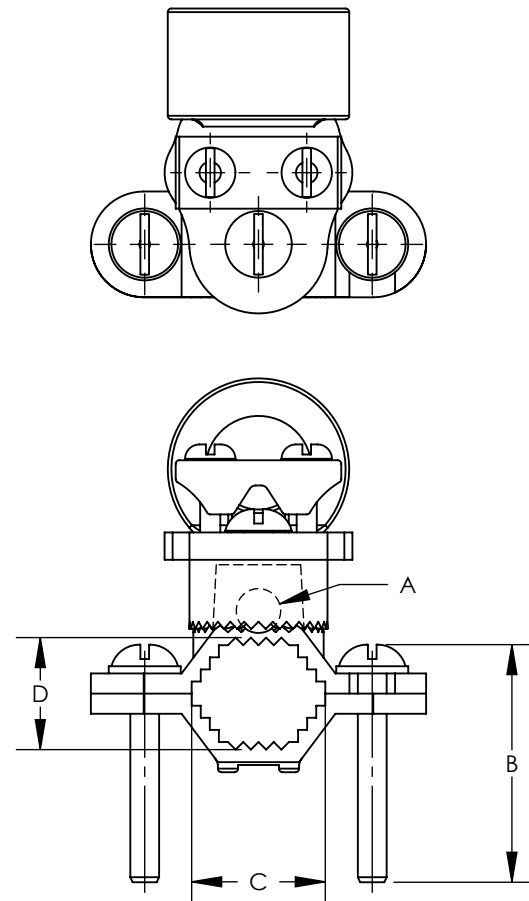


FIGURE 3

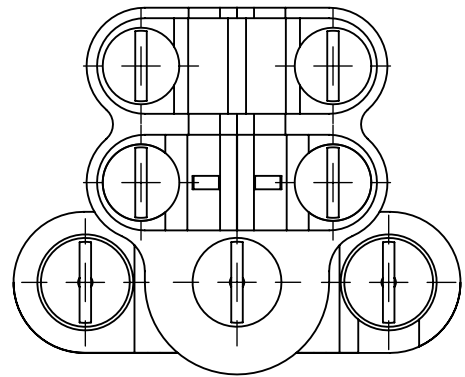
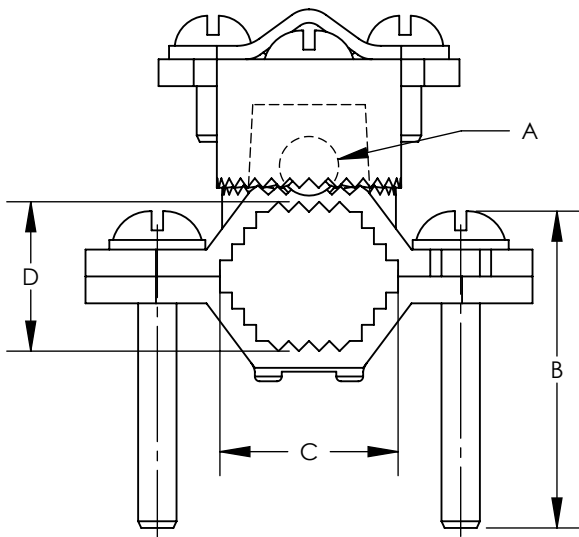


FIGURE 2



PART NUMBER	FIG.	CONDUIT SIZE	DESCRIPTION	WATER PIPE SIZE	GROUNDING WIRE	DIMENSIONS - IN [mm] +/- .05 [1.3]			
						A DIA	B	C	D
GPCH2-1	1	N/A	GROUND CLAMPS BARE WIRE WITH SERRATED HEAD	1/2" - 1"	10 - 2 STR	.33 [8.4]	1.65 [41.9]	.88 [22.4]	.69 [17.5]
GPCH2-2	1	N/A	GROUND CLAMPS BARE WIRE WITH SERRATED HEAD	1-1/4" - 2"	10 - 2 STR	.33 [8.4]	2.22 [56.4]	2.09 [53.1]	1.25 [31.8]
GPCH2-4	1	N/A	GROUND CLAMPS BARE WIRE WITH SERRATED HEAD	2-1/2" - 4"	10 - 2 STR	.33 [8.4]	4.25 [108.0]	4.19 [106.4]	2.59 [65.8]
GPCH2-6	1	N/A	GROUND CLAMPS BARE WIRE WITH SERRATED HEAD	4-1/2" - 6"	10 - 2 STR	.33 [8.4]	5.20 [132.1]	5.94 [150.9]	2.64 [67.1]
GPCH4/0-1	2	N/A	GROUND CLAMPS BARE WIRE WITH SERRATED HEAD & ADAPT HUB	1/2" - 1"	8 - 4/0 STR	.33 [8.4]	1.65 [41.9]	.88 [22.4]	.69 [17.5]
GPCH4/0-2	2	N/A	GROUND CLAMPS BARE WIRE WITH SERRATED HEAD & ADAPT HUB	1-1/4" - 2"	8 - 4/0 STR	.33 [8.4]	2.22 [56.4]	2.09 [53.1]	1.25 [31.8]
GPCH4/0-1D	2	N/A	GROUND CLAMPS BARE WIRE WITH SERRATED HEAD & ADAPT HUB, DB	1/2" - 1"	8 - 4/0 STR	.33 [8.4]	1.65 [41.9]	.88 [22.4]	.69 [17.5]
GPCH4/0-2D	2	N/A	GROUND CLAMPS BARE WIRE WITH SERRATED HEAD & ADAPT HUB, DB	1-1/4" - 2"	8 - 4/0 STR	.33 [8.4]	2.22 [56.4]	2.09 [53.1]	1.25 [31.8]
GPCH4/0-4	2	N/A	GROUND CLAMPS BARE WIRE WITH SERRATED HEAD & ADAPT HUB	2-1/2" - 4"	8 - 4/0 STR	.33 [8.4]	4.25 [108.0]	4.19 [106.4]	2.59 [65.8]
GPCH4/0-6	2	N/A	GROUND CLAMPS BARE WIRE WITH SERRATED HEAD & ADAPT HUB	4-1/2" - 6"	8 - 4/0 STR	.33 [8.4]	5.20 [132.1]	5.94 [150.9]	2.64 [67.1]
GPCH2/0-1-12	3	1/2"	GROUND CLAMP FOR RIGID CONDUIT 360 DEG HUB CONDUIT	1/2" - 1"	10 - 2/0 STR	.33 [8.4]	1.65 [41.9]	.88 [22.4]	.69 [17.5]
GPCH3/0-1-34	3	3/4"	GROUND CLAMP FOR RIGID CONDUIT 360 DEG HUB CONDUIT	1-1/4" - 2"	10 - 3/0 STR	.33 [8.4]	1.65 [41.9]	.88 [22.4]	.69 [17.5]
GPCH3/0-1-1	3	1"	GROUND CLAMP FOR RIGID CONDUIT 360 DEG HUB CONDUIT	1/2" - 1"	10 - 3/0 STR	.33 [8.4]	1.65 [41.9]	.88 [22.4]	.69 [17.5]
GPCH2/0-2-12	3	1/2"	GROUND CLAMP FOR RIGID CONDUIT 360 DEG HUB CONDUIT	1-1/4" - 2"	10 - 3/0 STR	.33 [8.4]	2.22 [56.4]	2.09 [53.1]	1.25 [31.8]
GPCH3/0-2-34	3	3/4"	GROUND CLAMP FOR RIGID CONDUIT 360 DEG HUB CONDUIT	1-1/4" - 2"	10 - 3/0 STR	.33 [8.4]	2.22 [56.4]	2.09 [53.1]	1.25 [31.8]
GPCH3/0-2-1	3	1"	GROUND CLAMP FOR RIGID CONDUIT 360 DEG HUB CONDUIT	1-1/4" - 2"	10 - 3/0 STR	.33 [8.4]	2.22 [56.4]	2.09 [53.1]	1.25 [31.8]
GPCH2/0-4-12	3	1/2"	GROUND CLAMP FOR RIGID CONDUIT 360 DEG HUB CONDUIT	2-1/2" - 4"	10 - 2/0 STR	.33 [8.4]	4.25 [108.0]	4.19 [106.4]	2.59 [65.8]
GPCH3/0-4-34	3	3/4"	GROUND CLAMP FOR RIGID CONDUIT 360 DEG HUB CONDUIT	2-1/2" - 4"	10 - 3/0 STR	.33 [8.4]	4.25 [108.0]	4.19 [106.4]	2.59 [65.8]
GPCH3/0-4-1	3	1"	GROUND CLAMP FOR RIGID CONDUIT 360 DEG HUB CONDUIT	2-1/2" - 4"	10 - 3/0 STR	.33 [8.4]	4.25 [108.0]	4.19 [106.4]	2.59 [65.8]
GPCH2/0-6-12	3	1/2"	GROUND CLAMP FOR RIGID CONDUIT 360 DEG HUB CONDUIT	4-1/2" - 6"	10 - 2/0 STR	.33 [8.4]	5.20 [132.1]	5.94 [150.9]	2.64 [67.1]
GPCH3/0-6-34	3	3/4"	GROUND CLAMP FOR RIGID CONDUIT 360 DEG HUB CONDUIT	4-1/2" - 6"	10 - 3/0 STR	.33 [8.4]	5.20 [132.1]	5.94 [150.9]	2.64 [67.1]
GPCH3/0-6-1	3	1"	GROUND CLAMP FOR RIGID CONDUIT 360 DEG HUB CONDUIT	4-1/2" - 6"	10 - 3/0 STR	.33 [8.4]	5.20 [132.1]	5.94 [150.9]	2.64 [67.1]

REV	DATE	BY	CHK	APR	DESCRIPTION	ECN
00	7/12	JHNU	SRBI	RGB	DRAWING RELEASED	10J018AI-JC

TITLE BRONZE GROUND PIPE CLAMP WITH SWIVEL FOR BARE WIRE CUSTOMER DRAWING	
ITEM REVISION NAME 10J018AI/00	<b>PANDUIT</b> <sup>TM</sup>
DATASET FILE NAME 10J018AI-JC/00.SLDDRW	
UNLESS OTHERWISE SPECIFIED, DIMENSIONAL TOLERANCES ARE: IN [mm] .X ± .XXX ± .XX ± ANGLES ±	
DRAWN BY JHNU	DRAWING NUMBER 10J018AI-JC
DATE 7/12	SIZE B
CHK SRBI	SHEET 1 OF 1
SCALE N/A	

## X-ON Electronics

Largest Supplier of Electrical and Electronic Components

*Click to view similar products for [Wire Ducting & Raceways](#) category:*

*Click to view products by [Panduit](#) manufacturer:*

Other Similar products are found below :

[800A-LB](#) [801I-LSP](#) [802A-ECSP](#) [802I-ICSP](#) [923223-000](#) [PRAF6WH-X](#) [A0405538](#) [1301150342](#) [1301160034](#) [1301170070](#) [1301180011](#)  
[1301230083](#) [1301230153](#) [1301240273](#) [1301250006](#) [1302261238](#) [1302261321](#) [1302262552](#) [1302263103](#) [1302263178](#) [1302263259](#)  
[1302263816](#) [1302263860](#) [1302264375](#) [1302264390](#) [1301150343](#) [1301160030](#) [1301170050](#) [1301170051](#) [1301170061](#) [1301180013](#)  
[1301230086](#) [1301230130](#) [1301240054](#) [1302260055](#) [1302260376](#) [1302261343](#) [1302261344](#) [1302262674](#) [1302263095](#) [1302263166](#)  
[1302263209](#) [1302263513](#) [1302263851](#) [1302263870](#) [1302264137](#) [1302264218](#) [DD1/J](#) [AX101472](#) [AX102007](#)