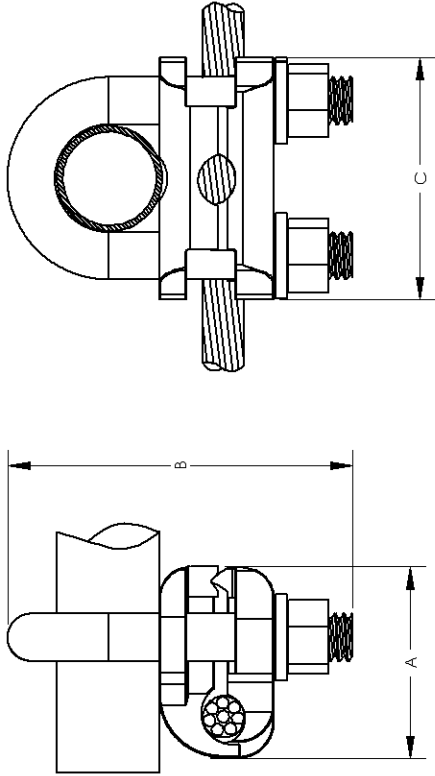


THIS COPY IS PROVIDED ON A RESTRICTED BASIS AND IS NOT TO BE USED IN ANY WAY DETRIMENTAL TO THE INTERESTS OF PANDUIT CORP.



PANDUIT PART NUMBER	ACCOMMODATES		CONDUCTOR RANGE	DIMENSIONS - IN [mm]						BOLT DIA
	ROD DIA	NOMINAL PIPE SIZE (IPS)		A		B		C		
				IN	MM	IN	MM	IN	MM	
GPL-4-Q	5/8" OR 3/4"	3/8"	#6 SOL. - #4 STR	1.38	34	2.75	70	2.00	51	0.38
GPL-5-Q	5/8" OR 3/4"	3/8"	#4 SOL. - 2/0 STR	1.63	41	2.75	70	2.00	51	0.38
GPL-6-Q	5/8" OR 3/4"	3/8"	2/0 SOL. - 250 kcmil	1.88	47	2.75	70	2.00	51	0.38
GPL-8-Q	7/8" OR 1"	1/2" OR 3/4"	# 8 SOL. - #4 STR	1.38	34	2.63	67	2.38	60	0.38
GPL-9-Q	7/8" OR 1"	1/2" OR 3/4"	#4 SOL. - 2/0 STR	1.63	41	2.63	67	2.38	60	0.38
GPL-10-Q	7/8" OR 1"	1/2" OR 3/4"	2/0 SOL. - 250 kcmil	1.88	47	3.00	76	2.38	60	0.38
GPL-14-X	-----	1"	#8 SOL. - #4 STR	1.38	34	2.75	70	2.63	67	0.38
GPL-15-X	-----	1"	#4 SOL. - 2/0 STR	1.63	41	2.75	70	2.63	67	0.38
GPL-16-X	-----	1"	2/0 SOL. - 250 kcmil	1.88	47	3.25	82	2.63	67	0.38
GPL-20-X	-----	1-1/4"	#8 SOL. - #4 STR	1.38	34	3.50	89	3.00	76	0.38
GPL-21-X	-----	1-1/4"	#4 SOL. - 2/0 STR	1.63	41	3.50	89	3.00	76	0.38
GPL-22-X	-----	1-1/4"	2/0 SOL. - 250 kcmil	1.88	47	3.50	89	3.00	76	0.38
GPL-26-X	-----	1-1/2"	#8 SOL. - #4 STR	1.38	34	4.00	102	3.25	82	0.38
GPL-27-X	-----	1-1/2"	#4 SOL. - 2/0 STR	1.63	41	4.00	102	3.25	82	0.38
GPL-28-X	-----	1-1/2"	2/0 SOL. - 250 kcmil	1.88	47	4.00	102	3.25	82	0.38
GPL-32-3	-----	2"	#8 SOL. - #4 STR	1.38	34	4.25	108	3.75	95	0.38
GPL-33-3	-----	2"	#4 SOL. - 2/0 STR	1.63	41	4.25	108	3.75	95	0.38
GPL-34-3	-----	2"	2/0 SOL. - 250 kcmil	1.88	47	4.25	108	3.75	95	0.38
GPL-38-3	-----	2-1/2"	#4 SOL. - 2/0 STR	1.63	41	5.00	127	4.25	108	0.38
GPL-40-3	-----	2-1/2"	2/0 SOL. - 250 kcmil	1.88	47	5.00	127	4.25	108	0.38
GPL-44-1	-----	3"	#8 SOL. - #4 STR	1.38	34	5.50	140	4.75	121	0.38
GPL-45-1	-----	3"	#4 SOL. - 2/0 STR	1.63	41	5.50	140	4.75	121	0.38
GPL-46-1	-----	3"	2/0 SOL. - 250 kcmil	1.88	47	5.50	140	4.75	121	0.38
GPL-51-1	-----	3-1/2"	#4 SOL. - 2/0 STR	1.63	41	6.25	158	5.25	133	0.38
GPL-52-1	-----	3-1/2"	2/0 SOL. - 250 kcmil	1.88	47	6.25	158	5.25	133	0.38
GPL-57-1	-----	4"	#4 SOL. - 2/0 STR	1.63	41	6.38	161	5.75	146	0.38
GPL-58-1	-----	4"	2/0 SOL. - 250 kcmil	1.88	47	6.38	161	5.75	146	0.38

NOTES:

1. MADE FROM HIGH COPPER CONTENT ALLOY. FURNISHED WITH FULL THREADED SILICON BOLT, NUTS, AND LOCKWASHERS
2. THESE CONNECTORS ARE UL LISTED FOR GROUNDING AND BONDING, AND DIRECT BURIAL APPLICATIONS
3. PKG QTY: -Q = 25
-X = 10



LISTED
SUITABLE FOR
DIRECT BURIAL

PANDUIT CORP. TINLEY PARK, ILLINOIS		BRONZE GROUND CLAMP CONNECTOR - GPL SERIES CUSTOMER DRAWING	
UNLESS OTHERWISE SPECIFIED, DIMENSIONAL TOLERANCES ARE: (XX) ± (XX) ± ANGLES ±		UNLESS OTHERWISE SPECIFIED, ALL DIMENSIONS ARE GIVEN IN INCHES, THIRD ANGLE PROJECTION	
JAC	09328	LA	06659
ED	06659	PM	03704
DATE	10/95	CHK'D	
REV	DATE	BY	CHK
00	10/95	ED	RS
DRAWING RELEASED			
DESCRIPTION			
06659			
03704			
ECON			
CUST			
DRAWING NO / CAD FILE			
C41168_05			
SCALE NONE			
DWG			
B			
SIZE			

X-ON Electronics

Largest Supplier of Electrical and Electronic Components

Click to view similar products for [Cable Mounting & Accessories](#) category:

Click to view products by [Panduit](#) manufacturer:

Other Similar products are found below :

[582603-1](#) [009333-000](#) [727844N003](#) [747](#) [809090N001](#) [843188-000](#) [8666](#) [967279N002](#) [DB-11](#) [1300840039](#) [1300900096](#) [1301800416](#)
[1302264450](#) [1300830184](#) [1300830729](#) [1300900039](#) [1301580036](#) [1301850553](#) [1301860939](#) [1302000074](#) [1302261315](#) [1302264431](#)
[1337706-2](#) [APA18-AK](#) [1724](#) [1-787307-1](#) [185491N001](#) [1868](#) [HP-6N](#) [C-202-C](#) [202C221-13-0](#) [CA7308-000](#) [8S23-75FR-CS8184](#) [2684](#) [9648](#)
[3089](#) [988382-000](#) [A72821-000](#) [AA401](#) [173506-000](#) [1823](#) [202C292-13-0](#) [202C302-13-0](#) [2109](#) [300625](#) [3330](#) [3412](#) [356247-1](#) [M9142](#)
[M9143](#)