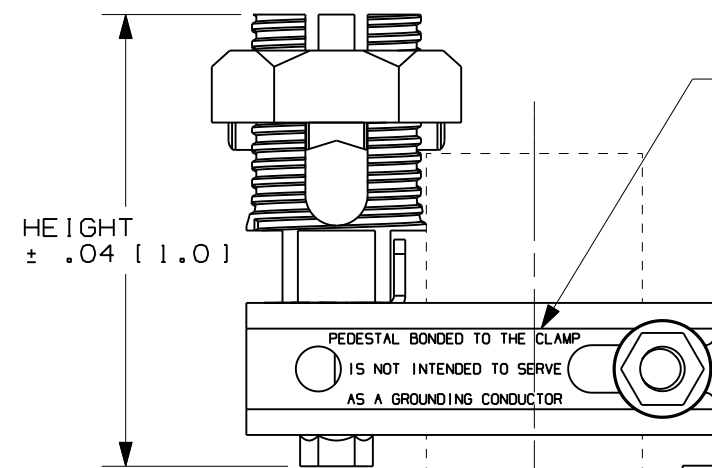
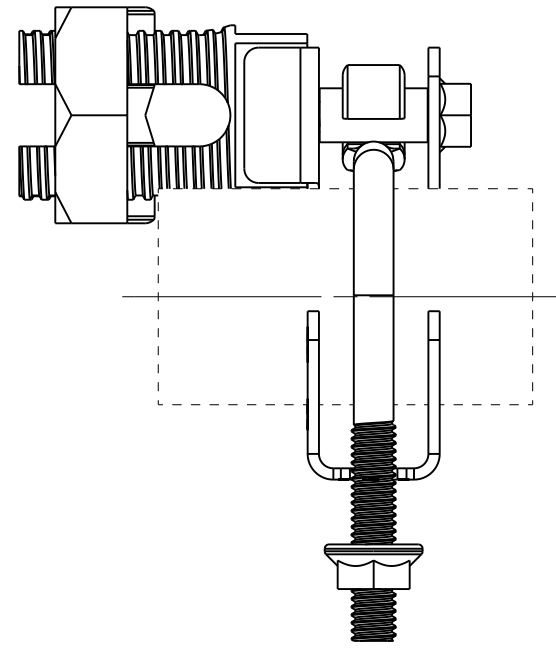
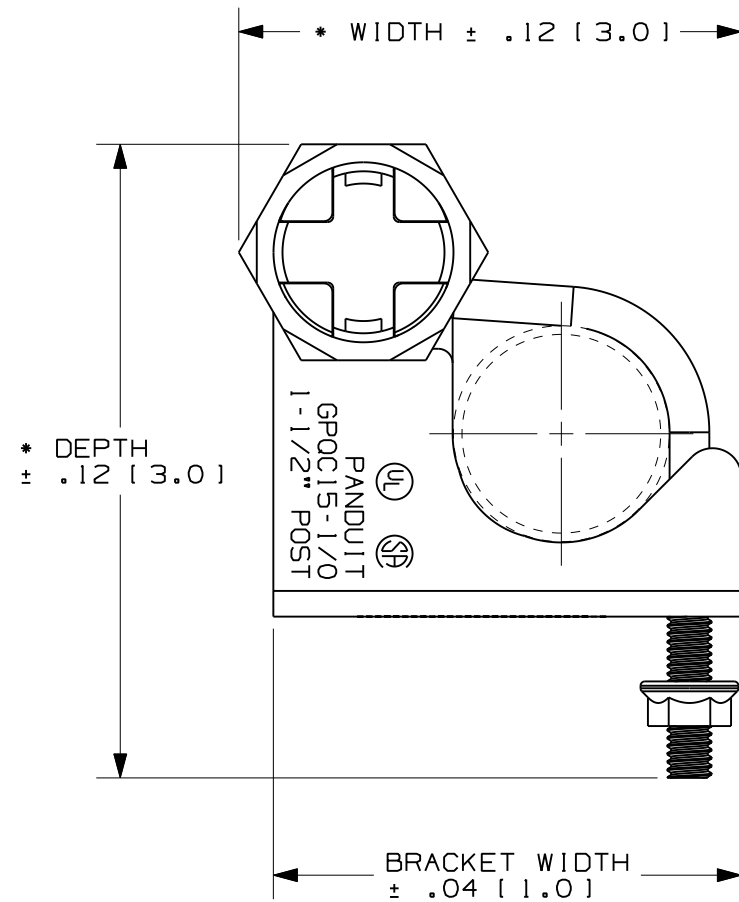


THIS COPY IS PROVIDED ON A RESTRICTED BASIS AND IS NOT TO BE USED IN ANY WAY DETRIMENTAL TO THE INTERESTS OF PANDUIT CORP.

NOTES:

1. PACKAGING: 1 KIT PER BAG  
10 BAGS PER CARTON
2. DIMENSIONS IN PARENTHESIS ARE MILLIMETERS.
3. FOR USE WITH COPPER WIRE RANGE #6 AWG SOLID TO 1/0 STRANDED (16 TO 50mm<sup>2</sup>)
4. SEE TABLE FOR PEDESTAL TYPE AND SIZES
5. INSTALLATION TORQUE OF 32 LB-FT (43.5 N.m) ON WIRES AND 12.5 LB-FT (17 N.m) ON POST.
6. WIRE CLAMP MADE OF HIGH CONDUCTIVITY BRONZE ALLOY.
7. \*) DIMENSIONS ARE APPROXIMATE DUE TO MOVABLE COMPONENTS.
8. PRODUCTS ARE UL LISTED AND CSA CERTIFIED.



NOTE:

1. THE CLAMP CREATES A UL LISTED BOND TO THE ACCESS FLOOR.
2. SOME ACCESS FLOORS ARE NOT RATED AS GROUNDING ELECTRODE CONDUCTORS (GEC).
3. USING THIS CLAMP TO BOND THE FLOOR TO A GRID OF CONDUCTORS RESULTS IN A GROUNDED FLOOR.

PANDUIT PART NUMBER	DIMENSIONS - IN [mm]				PEDESTAL SIZE & TYPE
	WIDTH	BRACKET WIDTH	DEPTH	HEIGHT	
GPOC07-1/0	3.38 [85.9]	3.25 [82.6]	4.25 [108.0]	3.19 [81.0]	3/4" ROUND 7/8" ROUND
GPOC10-1/0	3.38 [85.9]	3.25 [82.6]	4.19 [106.4]	3.19 [81.0]	7/8" SQUARE 1" ROUND 1-1/8" ROUND
GPOC12-1/0	3.44 [87.4]	3.25 [82.6]	4.53 [115.1]	3.19 [81.0]	1-1/4" ROUND
GPOC15-1/0	3.44 [87.4]	3.25 [82.6]	4.47 [113.5]	3.19 [81.0]	1-1/2" ROUND
GPOC17-1/0	N/A	4.00 [101.6]	5.19 [131.8]	3.19 [81.0]	1-3/4" ROUND
GPOC20-1/0	N/A	4.00 [101.6]	5.06 [128.5]	3.19 [81.0]	2" ROUND

CAD FILENAME/LAYERS N10943AB\_DC\_GPOC\_05B

**PANDUIT** CORP TINLEY PARK, ILLINOIS  
GROUNDING PEDESTAL QUAD CLAMPS  
CUSTOMER DRAWING

UNLESS OTHERWISE SPECIFIED, DIMENSIONAL TOLERANCES ARE:  
(.X) ± (.XXX) ±  
(.XX) ± ANGLES ±

UNLESS OTHERWISE SPECIFIED, ALL DIMENSIONS ARE GIVEN IN INCHES, THIRD ANGLE PROJECTION

DRAWN BY JHNU MAT'L:  
DATE 2/08  
SCALE NONE  
DRAWING NO. C41746 DWG SIZE B

REV	DATE	BY	CHK	DESCRIPTION	ECN	QA	SUP
05	11/10	JHNU	JHNU	REVISED VIEWS TO SHOW STAMPING ON BRACKET			
04	10/08	JHNU	RWK	ADDED PART NUMBERS GPOC17-1/0 & GPOC20-1/0			
03	9/08	JHNU	RWK	REVISED DIMENSION LOCATIONS, ADDED BRACKET WIDTH DIM. REVISED DIMENSIONS TO REFLECT LOCATION CHANGES			
02	9/08	JHNU	RWK	REVISED HEIGHT DIMENSION: 3.17 WAS 3.03 ADDED ±.06 TOLERANCES, ADDED NOTE 7			
01	6/08	JHNU	RWK	REVISED HEIGHT DIMENSION: 3.17 WAS 3.03 ADDED ±.06 TOLERANCES, ADDED NOTE 7			
00	6/08	JHNU	RWK	DRAWING RELEASED			

## X-ON Electronics

Largest Supplier of Electrical and Electronic Components

*Click to view similar products for [Wire Ducting & Raceways](#) category:*

*Click to view products by [Panduit](#) manufacturer:*

Other Similar products are found below :

[800A-LB](#) [801I-LSP](#) [802A-ECSP](#) [802I-ICSP](#) [923223-000](#) [PRAF6WH-X](#) [A0405538](#) [1301150342](#) [1301160034](#) [1301170070](#) [1301180011](#)  
[1301230083](#) [1301230153](#) [1301240273](#) [1301250006](#) [1302261238](#) [1302261321](#) [1302262552](#) [1302263103](#) [1302263178](#) [1302263259](#)  
[1302263816](#) [1302263860](#) [1302264375](#) [1302264390](#) [1301150343](#) [1301160030](#) [1301170050](#) [1301170051](#) [1301170061](#) [1301180013](#)  
[1301230086](#) [1301230130](#) [1301240054](#) [1302260055](#) [1302260376](#) [1302261343](#) [1302261344](#) [1302262674](#) [1302263095](#) [1302263166](#)  
[1302263209](#) [1302263513](#) [1302263851](#) [1302263870](#) [1302264137](#) [1302264218](#) [DD1/J](#) [AX102007](#) [AX102411](#)