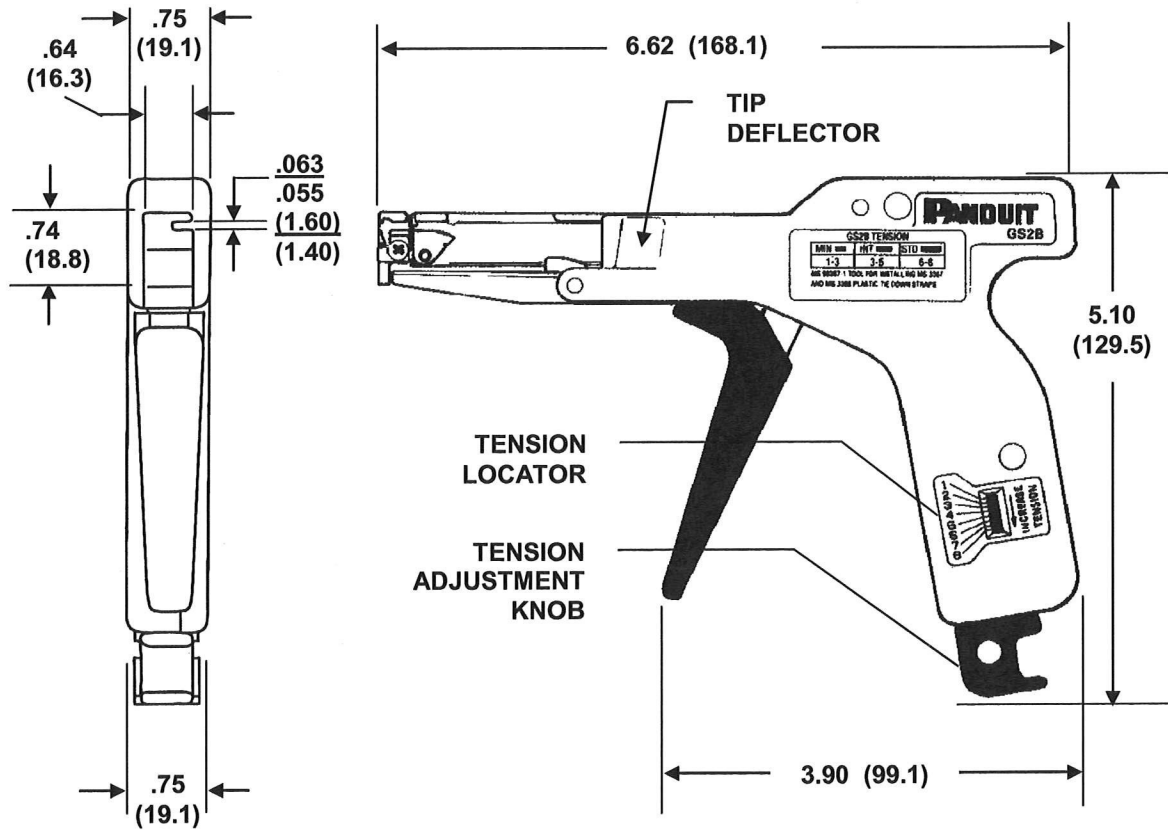


THIS COPY IS PROVIDED ON A RESTRICTED BASIS AND IS NOT TO BE USED IN ANY WAY DETRIMENTAL TO THE INTERESTS OF PANDUIT CORP.



**SPECIFICATIONS:**

PANDUIT TOOL NO.: GS2B

TOOL WEIGHT: 11.5 oz. (327 gr.)

INSTALLS MINIATURE, INTERMEDIATE AND STANDARD CROSS SECTION CABLE TIES.

CABLE TIE CROSS-SECTION CODE:

- M = MINIATURE
- I = INTERMEDIATE
- S = STANDARD

THIS MILITARY STANDARD MS-90387-1 TOOL CAN BE USED TO INSTALL THE FOLLOWING MS STRAPS:

- MS-3367-1, -2, -4, -5, -7; AND
- MS-3368-1, -2, -3, -4, -5

THIS TOOL TIGHTENS CABLE TIES AND CUTS OFF EXCESS PORTION WHEN PRESET TENSION IS ATTAINED.

DIMENSIONS SHOWN IN PARENTHESIS ARE METRIC

F:\RVUSERS\ENGDOCS\CUSTDWGS\GSB-00275A-CD\_13.doc

						<b>GS2B CABLE TIE INSTALLATION TOOL</b>						
						CUSTOMER DRAWING						
						ITEM REVISION NAME: <b>GSB-00275A-CD_13</b>		<b>PANDUIT</b>				
						UNLESS OTHERWISE SPECIFIED, DIMENSIONAL TOLERANCES ARE: (.x) ± --      (.xxx) ± -- (.xx) ± --      ANGLES ± --		MATERIAL: -----				
						THIRD ANGLE PROJECTION		DRAWING NUMBER: <b>GSB-00275A-CD</b>				
REV	DATE	BY	CHK	APR	DESCRIPTION	ECN	DRAWN BY: BLR	DATE: 2-26-04	CHK ABJ	SCALE NONE	SHT 1 OF 1	SIZE <b>A</b>
13	2-21-13	BLR	<i>[Signature]</i>	<i>[Signature]</i>	UPD TEMPLATE & BRANDING	4608						

## X-ON Electronics

Largest Supplier of Electrical and Electronic Components

*Click to view similar products for [Cable Ties](#) category:*

*Click to view products by [Panduit](#) manufacturer:*

Other Similar products are found below :

[65037-C](#) [770-1751-10](#) [REL50L0C2](#) [20093-0](#) [SF600-120X](#) [SJ3518FR-1x50](#) [SJ3526N-Beige-2"x50yd](#) [SJ3526N BLACK 58" X 50YD](#) [SJ3571](#)  
[SJ-3571-1"x50yd-Black](#) [PLT2S-C4](#) [34-455-C](#) [3722](#) [561-B110120](#) [561-N3510](#) [TYZ528M](#) [34-463-C](#) [URT20S-M](#) [06226](#) [08350-0](#) [08600-0](#)  
[08376-0](#) [10037-0](#) [10325-0](#) [10362-0](#) [10606-0](#) [1122-4JW8](#) [561-EZ250](#) [561-EZ625](#) [SJ3527N-Beige-2"x50yd](#) [SJ3527N-LOOP-BLACK-1](#)  
[SJ3572-2"x50yd-Black](#) [CF5625-000](#) [65004-C](#) [65005-C](#) [65007-C](#) [65036-C](#) [157-00039](#) [770-1708](#) [770-1753-10](#) [770-1752](#) [SPNY-041-9](#)  
[SF400-120X](#) [3719](#) [08582-0](#) [08386-0](#) [10431-0](#) [08359-0](#) [10620-0](#) [10345-0](#)