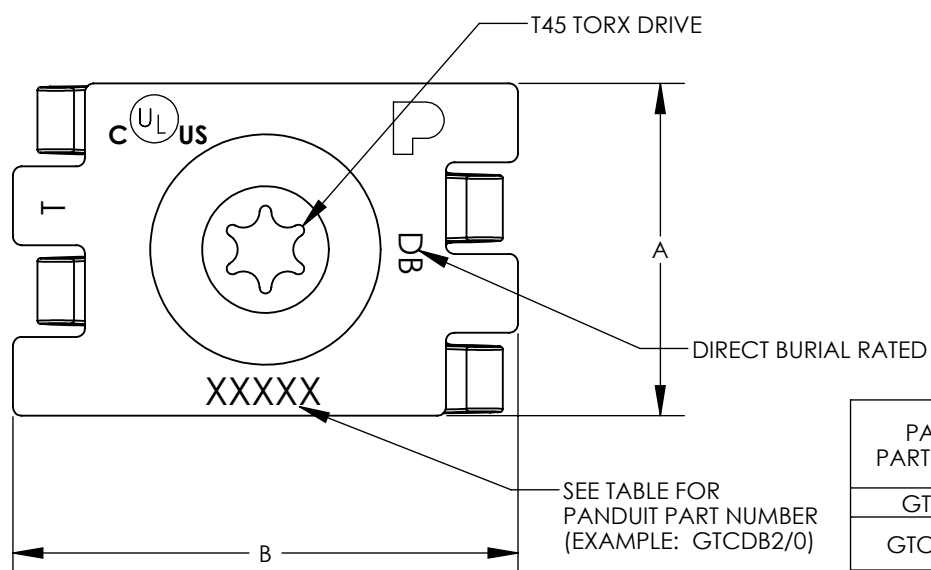


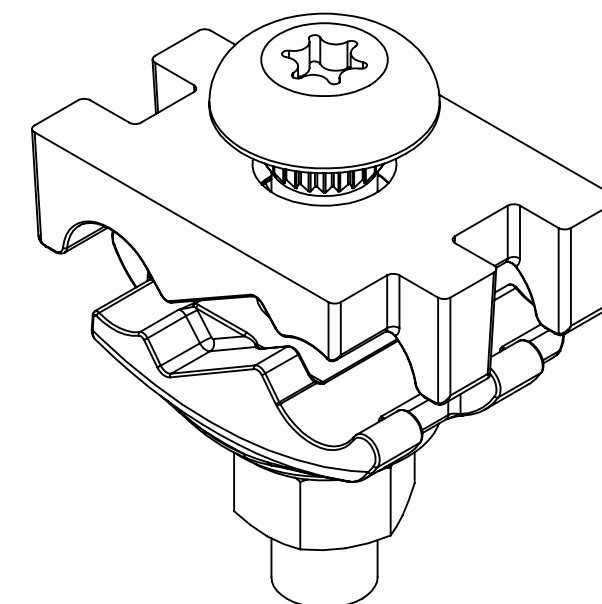
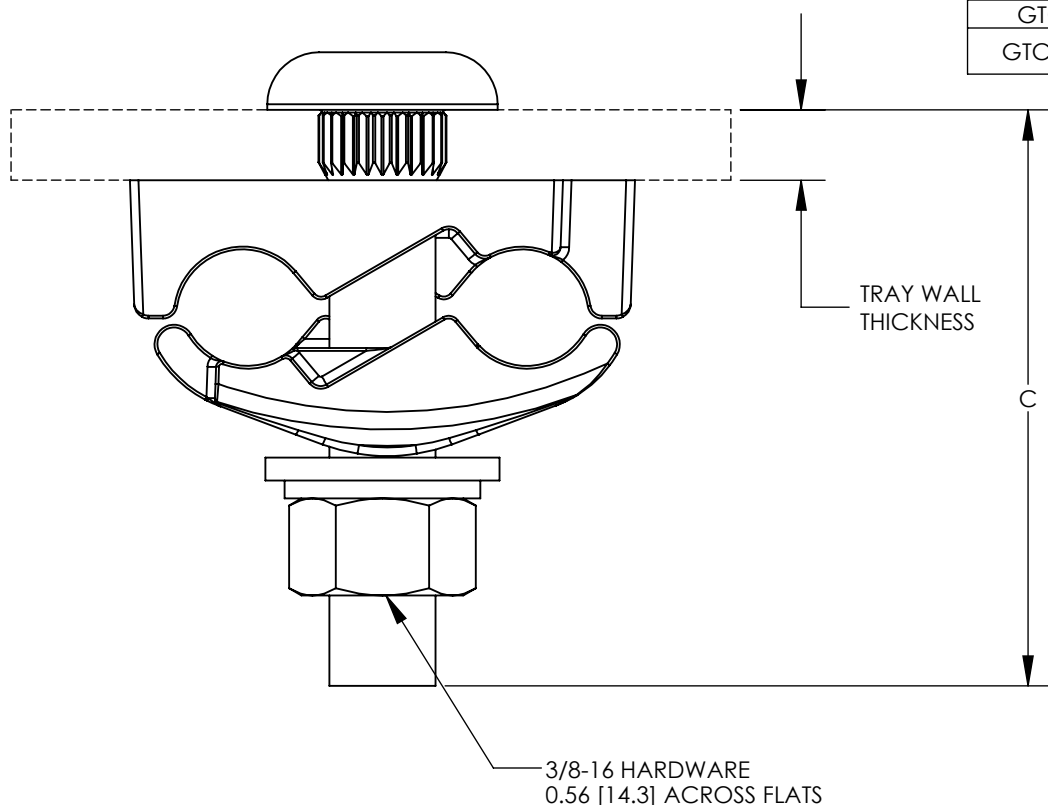
NOTES:

- MATERIAL:
-BODY - HIGH COPPER CONTENT ALLOY, TIN PLATED
-HARDWARE - REFERENCE CHART
- PARTS ARE cULus LISTED TO UL467/CSA 22.2 NO 41.
- CONNECTORS ACCOMMODATE EITHER ONE OR TWO COPPER CONDUCTORS IN THE RANGE SPECIFIED.
- TO PREVENT BOLT ROTATION, DRIVE RIBBED SECTION OF BOLT INTO 0.44 [11.2] DIA HOLE.
- DIMENSIONS IN PARENTHESIS ARE MILLIMETERS
- PACKAGE QUANTITIES"
L = 50



SEE TABLE FOR PANDUIT PART NUMBER (EXAMPLE: GTCDB2/0)

PANDUIT PART NUMBER	COPPER CONDUCTOR RANGE	DIRECT BURIAL RATED	HARDWARE		ACCOMODATES TRAY WALL THICKNESS	DIMENSIONS IN [mm]		
			BOLT	NUT/WASHERS		A	B	C
GTC1/0-L	6 SOL - 1/0 STR	NO	ZINC PLATED STEEL	ZINC PLATED STEEL	STEEL/ALUMINUM .062 [1.57] TO 0.125 [3.18]	1.15 [29.2]	1.49 [37.8]	2.0 [50.8]
GTCDB1/0-L		YES	ZINC/NICKEL PLATED STAINLESS STEEL	STAINLESS STEEL				
GTC2/0-L	2 SOL - 2/0 STR	NO	ZINC PLATED STEEL	ZINC PLATED STEEL	STEEL/ALUMINUM .062 [1.57] TO 0.125 [3.18]		2.04 [51.8]	
GTCDB2/0-L		YES	ZINC/NICKEL PLATED STAINLESS STEEL	STAINLESS STEEL				
GTC250-L	2/0 STR - 250 kcmil 4/0 SOL	NO	ZINC PLATED STEEL	ZINC PLATED STEEL	STEEL 0.96 [2.44] TO 0.125 [3.18] ALUMINUM 0.062 [1.57] TO 0.125 [3.18]			
GTCDB250-L		YES	ZINC/NICKEL PLATED STAINLESS STEEL	STAINLESS STEEL				



REV	DATE	BY	CHK	APR	DESCRIPTION	ECN
02	5/18	JHNU	BKR	RGB	ADDED TORX DRIVE NOTE	13J051AJ-DC
01	3/18	JHNU	BKR	RGB	REVISED HARDWARE	
00	5/17	JHNU	BKR	RGB	DRAWING RELEASED	

TITLE		CABLE TRAY CLAMPS		
ITEM REVISION NAME		13J051AJ/02		
DATASET FILE NAME		13J051AJ-DC/02.SLDDRW		
UNLESS OTHERWISE SPECIFIED, DIMENSIONAL TOLERANCES ARE: IN [mm]		PANDUIT		
.X ± .XXX ± .XX ± ANGLES ±				
DRAWN BY		DATE		MATERIAL
JHNU		5/17		
CHK		SCALE		DRAWING NUMBER
BKR		N/A		
THIRD ANGLE PROJECTION		SHEET 1 OF 1		SIZE
B				

X-ON Electronics

Largest Supplier of Electrical and Electronic Components

Click to view similar products for [Wire Ducting & Raceways](#) category:

Click to view products by [Panduit](#) manufacturer:

Other Similar products are found below :

[800A-LB](#) [801I-LSP](#) [802A-ECSP](#) [802I-ICSP](#) [923223-000](#) [PRAF6WH-X](#) [A0405538](#) [1301150342](#) [1301160034](#) [1301170070](#) [1301180011](#)
[1301230083](#) [1301230153](#) [1301240273](#) [1301250006](#) [1302261238](#) [1302261321](#) [1302262552](#) [1302263103](#) [1302263178](#) [1302263259](#)
[1302263816](#) [1302263860](#) [1302264375](#) [1302264390](#) [1301150343](#) [1301160030](#) [1301170050](#) [1301170051](#) [1301170061](#) [1301180013](#)
[1301230086](#) [1301230130](#) [1301240054](#) [1302260055](#) [1302260376](#) [1302261343](#) [1302261344](#) [1302262674](#) [1302263095](#) [1302263166](#)
[1302263209](#) [1302263513](#) [1302263851](#) [1302263870](#) [1302264137](#) [1302264218](#) [DD1/J](#) [AX102007](#) [AX102411](#)