

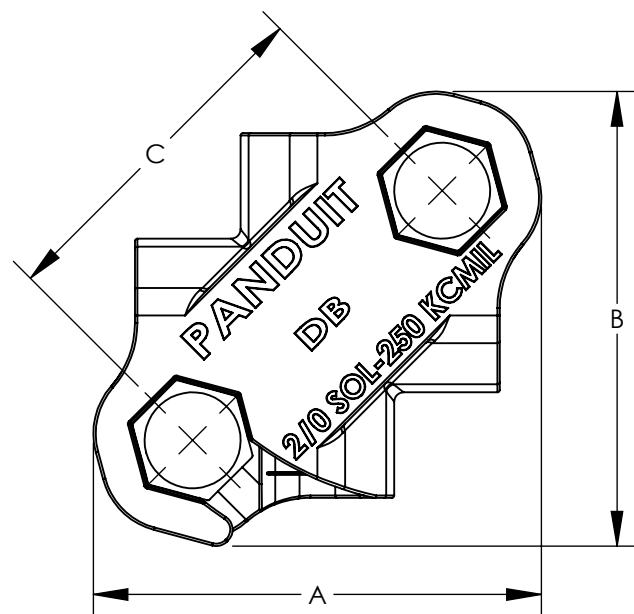
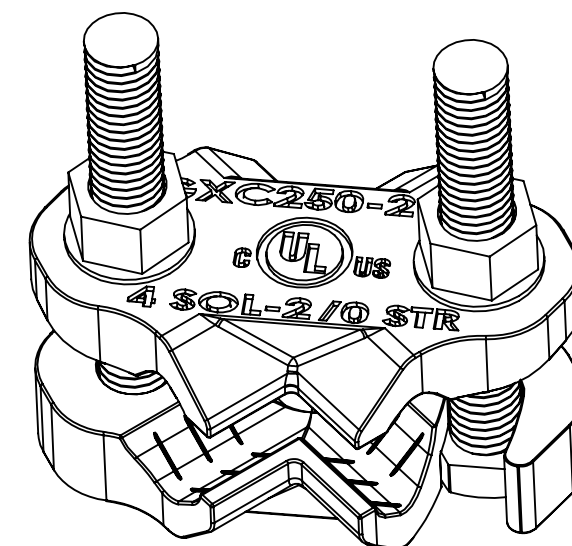
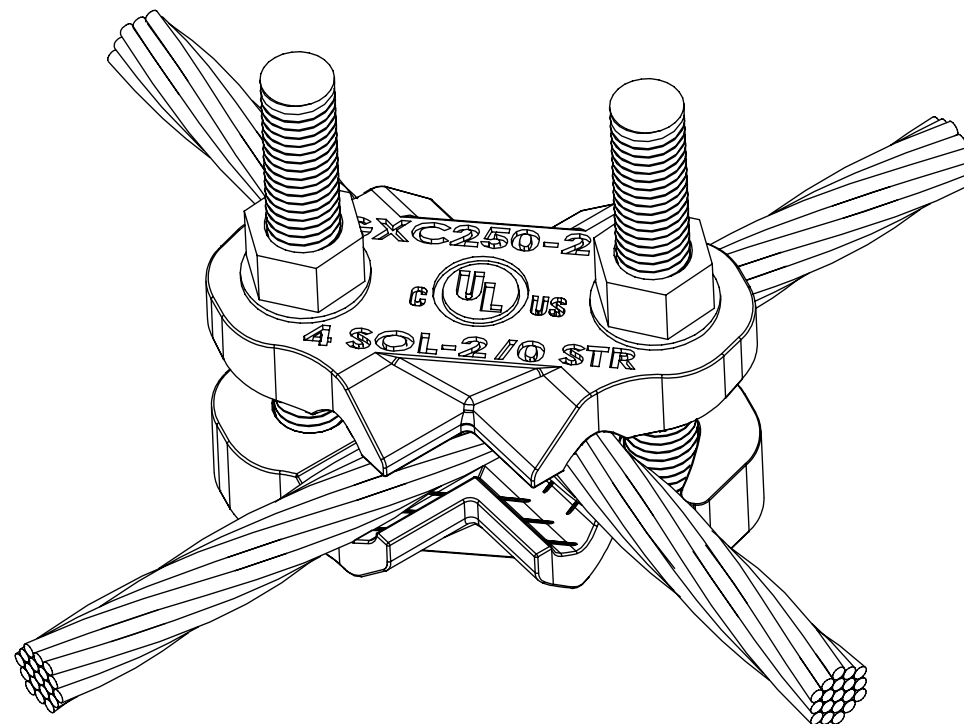
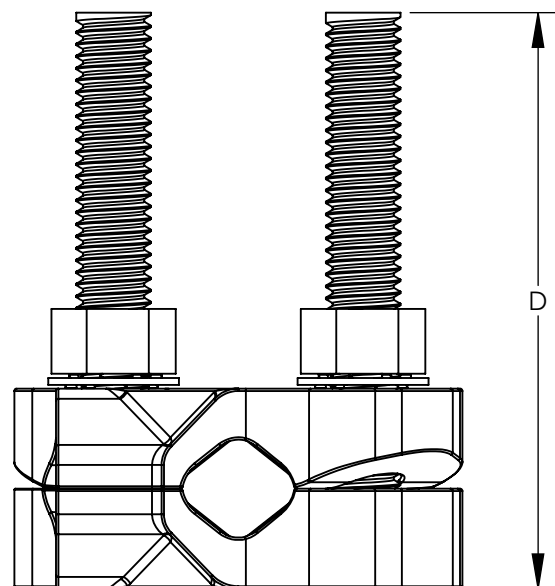
THIS COPY IS PROVIDED ON A RESTRICTED BASIS AND IS NOT TO BE USED IN ANY WAY DETRIMENTAL TO THE INTERESTS OF PANDUIT CORP.

NOTES:

1. MATERIAL: BODY - HIGH CONDUCTIVITY COPPER
HARDWARE - SILICON BRONZE
2. FOR USE WITH COPPER CONDUCTORS ONLY.
3. cULus LISTED 486 & 467 FOR POWER AND GROUNDING.
cULus LISTED FOR USE UP TO 600V, TEMPERATURE RATED 90°C
4. RATED FOR DIRECT BURIAL FOR GROUNDING.



PART NUMBER	RUN BOTTOM PLATE RANGE		TAP TOP PLATE RANGE	DIMENSIONS - IN [mm] ± .05 [1.3]				WRENCH SIZE	INSTALLATION TORQUE (lbf-in)
	CONDUCTOR RANGE (AWG)	CU GROUND ROD DIAMETER	CONDUCTOR RANGE (AWG)	A	B	C	D		
GXC4-4	8-4 STR/SOL	----	8-4 STR/SOL	1.85 [47.1]	1.89 [48.0]	1.34 [34.1]	2.24 [56.8]	9/16"	120
GXC250-4	2/0 SOL - 4/0 SOL 2/0 STR - 250 kcmil	1/2"	8-4 STR/SOL	2.33 [59.3]	2.37 [60.1]	1.84 [46.7]			
GXC250-2/0			4-2/0 STR/SOL						
GXC250-250			2/0 SOL - 4/0 SOL 2/0 STR - 250 kcmil				2.74 [69.5]		
GXC500-4	300 kcmil - 500 kcmil	3/4"	8-4 STR/SOL	2.42 [61.5]	2.46 [62.4]	1.98 [50.3]			
GXC500-2/0			4-2/0 STR/SOL						
GXC500-250			2/0 SOL - 4/0 SOL 2/0 STR - 250 kcmil				3.24 [82.2]		
GXC500-500			300 kcmil - 500 kcmil				3.07 [77.9]	3.10 [78.8]	2.52 [63.9]



REV	DATE	BY	CHK	APR	DESCRIPTION	ECN
01	4/18	JHNU	JLOV	RGB	REVISED 'D' DIMENSION FOR ALL PARTS	00051EBK-DC
00	11/17	JHNU	JLOV	RGB	DRAWING RELEASED	

TITLE CROSS CONNECTORS (GXC SERIES) CUSTOMER DRAWING			
ITEM REVISION NAME	00051EBK/01		
DATASET FILE NAME	00051EBK-DC/01.SLDDRW		
UNLESS OTHERWISE SPECIFIED, DIMENSIONAL TOLERANCES ARE: IN [mm]			
.X ±	.XXX ±	MATERIAL SEE NOTES	
.XX ±	ANGLES ±	DRAWING NUMBER 00051EBK-DC	
THIRD ANGLE PROJECTION		SIZE B	
DRAWN BY JHNU	DATE 11/17	CHK JLOV	SCALE N/A
SHEET 1 OF 1			

X-ON Electronics

Largest Supplier of Electrical and Electronic Components

Click to view similar products for [Cable Mounting & Accessories](#) category:

Click to view products by [Panduit](#) manufacturer:

Other Similar products are found below :

[HP-4N](#) [582603-1](#) [009333-000](#) [727844N003](#) [809090N001](#) [8109](#) [843188-000](#) [843459N001](#) [843460N003](#) [8666](#) [967279N002](#) [GPQC1/0](#) [DB-](#)
[11](#) [1300830208](#) [1300840039](#) [1300900026](#) [1300990052](#) [1301740005](#) [1301800121](#) [1301800416](#) [1300830184](#) [1300990149](#) [1301580036](#)
[1301720103](#) [1301720135](#) [1301720152](#) [1301720157](#) [1301740009](#) [1301770011](#) [1301850553](#) [1301860939](#) [1302000074](#) [1302264431](#)
[1337706-2](#) [APA18-AK](#) [MTX6UTPSRC-C](#) [1-787307-1](#) [185491N001](#) [HP-6N](#) [C-202-C](#) [202C221-13-0](#) [OMTM-S10-C0](#) [205339-4](#) [CA7308-](#)
[000](#) [8S23-75FR-CS8184](#) [2684](#) [9648](#) [3089](#) [988382-000](#) [A0270164](#)