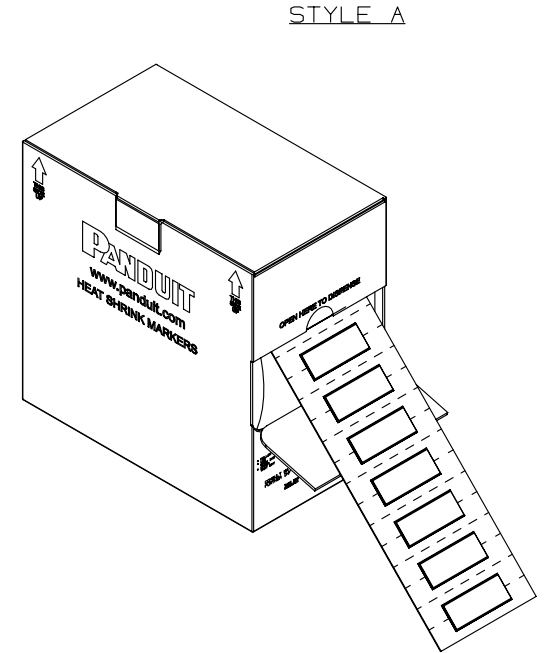
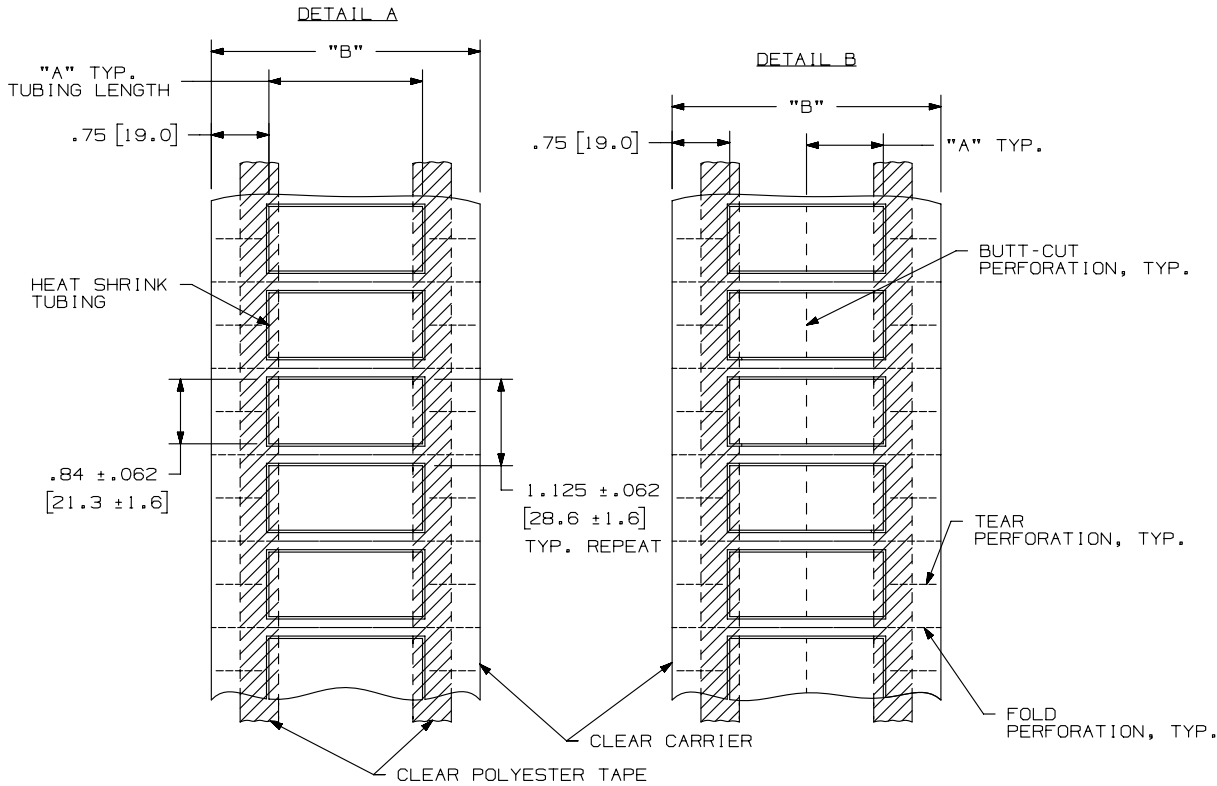


THIS COPY IS PROVIDED ON A RESTRICTED BASIS AND IS NOT TO BE USED IN ANY WAY DETRIMENTAL TO THE INTERESTS OF PANDUIT CORP.

NOTE:  
1. MILLIMETER ARE IN [ ].

| PART NUMBER   | SEE DETAIL | MATERIAL | "A" +/- .062  | "B" +/- .062  | INSIDE NOMINAL DIA. | MARKER ACROSS   | TUBING COLOR | PKG. QTY. | SEE STYLE |
|---------------|------------|----------|---------------|---------------|---------------------|-----------------|--------------|-----------|-----------|
| H200X084HFT-2 | A          | GMUHF    | 2.00 [ 50.8 ] | 3.50 [ 88.9 ] | 1/2 in. [ 12.7 mm ] | 1               | WHITE        | 500       | A         |
| H200X084HGT-2 | A          |          | 2.00 [ 50.8 ] |               |                     |                 |              |           |           |
| H100X084HFT-2 | B          |          | 1.00 [ 25.4 ] |               |                     |                 |              |           |           |
| H100X084HGT-2 | B          |          | 1.00 [ 25.4 ] | 2             |                     | WHITE<br>YELLOW | 1000         |           |           |



| REV | DATE    | BY  | CHK  | APR  | DESCRIPTION   | ECN        |
|-----|---------|-----|------|------|---|------------|
| 2   | 2/4/13  | RVU | DAPE | SEWH | REMOVE 100X84HFT-2-B, H200X084HFT-2-B, 100X84HGT-2-B, AND H200X084HGT-2-B.  | GAECN00576 |
| 1   | 8/23/11 | RVU | DAPE |      | *Change marker height tolerance from .032" to .062" to match other HST drawings tolerances. Update on view. REMOVE STYLE B. | 6481       |
| 0   | 6/2/11  | RVU | DAPE |      | DRAWING RELEASE.  | 6412       |

|  |  |  |  |
|--|--|--|--|
| TITLE  |  | H***X084H*T-2<br>TWO-SIDED HEAT SHRINK LABEL, HALOGEN FREE<br>CUSTOMER DRAWING |  |
| ITEM REVISION NAME   |  | 100472XN/02  |  |
| DATASET FILE NAME  |  | 100472XN-DC-C10930/02C   |  |
| UNLESS OTHERWISE SPECIFIED, DIMENSIONAL TOLERANCES ARE: IN [ mm ]                |  | <b>PANDUIT</b> <sup>TM</sup><br>MATERIAL:<br>HEAT SHRINK TUBING, GMUHF         |  |
| .x ± .12 [ 3.05 ]      .xxx ± .015 [ .381 ]<br>.xx ± .062 [ 1.57 ]      ANGLES ± |  | DRAWING NUMBER:<br>C10930  |  |
| DRAWN BY: RVU      DATE: 6/2/11      CHK: MSAD      SCALE: NTS                   |  | THIRD ANGLE PROJECTION<br>SHT 1 OF 1      SIZE: A                              |  |

D10100DA/12

## X-ON Electronics

Largest Supplier of Electrical and Electronic Components

*Click to view similar products for [Wire Labels & Markers](#) category:*

*Click to view products by [Panduit](#) manufacturer:*

Other Similar products are found below :

[89078GBEST](#) [89082GBESR](#) [89082GBEST](#) [PCL025-4](#) [5761-2SF](#) [58400](#) [586R734H02](#) [M1.040.0000.6](#) [CRS-CM5M](#) [CRS-M18M](#) [CS1836-000](#) [CS8626-000](#) [CU6337-000](#) [CU6342-000](#) [CU6343-000](#) [CWD01-0](#) [CWD012-0](#) [CWD012-7](#) [CWD015-3](#) [CWD015-7](#) [CWD02-0](#) [CWD02-3](#) [CWD02-4](#) [CWD02-6](#) [CWD02-8](#) [CWD02-A](#) [CWD02-D](#) [CWD02-H](#) [CWD02-K](#) [CWD02-L](#) [CWD02-M](#) [CWD02-P](#) [CWD02-Q](#) [CWD02-R](#) [CWD02-U](#) [CWD02-W](#) [CWD02-Y](#) [CWD03-+](#) [CWD03-0](#) [CWD03-P](#) [CWD06-0](#) [CWD06-8](#) [CWD06-9](#) [CWD06-L](#) [CWD06-N](#) [CWD09-0](#) [CWD09-5](#) [CWD09-7](#) [6806810001](#) [CZ2857-000](#)