

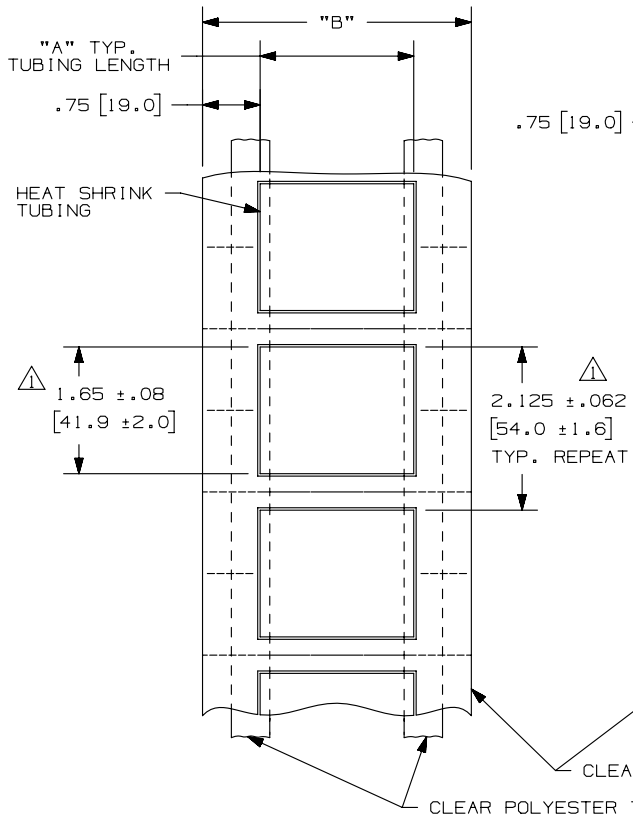
2

1

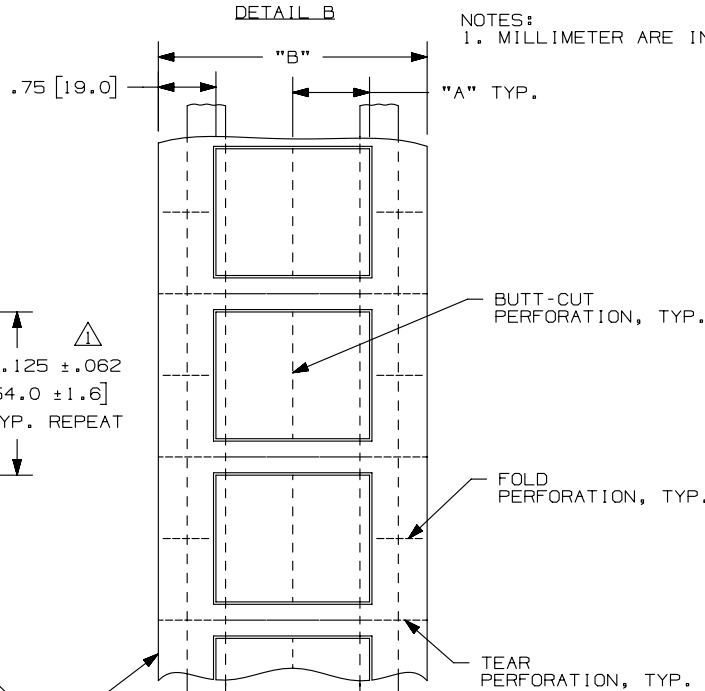
THIS COPY IS PROVIDED ON A RESTRICTED BASIS AND IS NOT TO BE USED IN ANY WAY DETRIMENTAL TO THE INTERESTS OF PANDUIT CORP.

PART NUMBER	SEE DETAIL	MATERIAL	"A" +/- .062	"B" +/- .062	INSIDE NOMINAL DIA.	MARKER ACROSS	TUBING COLOR	PKG. QTY.	SEE STYLE
H100X165H1T-2	B	GMUHS	1.00 [25.4]	3.50 [88.9]	1 in. [25.4 mm]	2	WHITE	1000	A
H200X165H1T-2	A	GMUHS	2.00 [50.8]	3.50 [88.9]	1 in. [25.4 mm]	1	WHITE	500	A
H100X165H2T-2	B	GMUHS	1.00 [25.4]	3.50 [88.9]	1 in. [25.4 mm]	2	YELLOW	1000	A
H200X165H2T-2	A	GMUHS	2.00 [50.8]	3.50 [88.9]	1 in. [25.4 mm]	1	YELLOW	500	A

DETAIL A

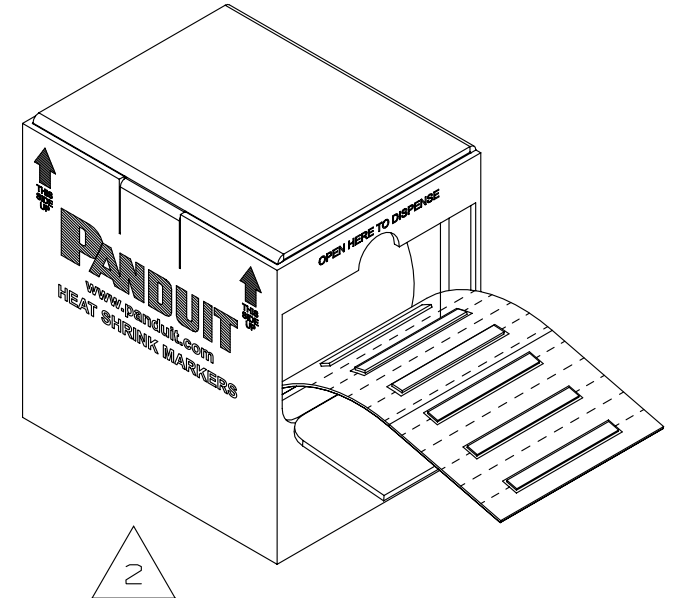


DETAIL B



NOTES:
1. MILLIMETER ARE IN ().

STYLE A



REV	DATE	BY	CHK	APR	DESCRIPTION	ECN
2	1/22/14	RVU	SEWH	MSAD	UPDATE THE CURRENT PANDUIT LOGO.	GAECN01409
1	5/21/09	RVU		SCWE	"B", +/- .062 WAS +/- .030. 2.125 +/- .050.	5700
0	9/09/08	RVU		SCWE	DRAWING RELEASE.	5540

TITLE	
H***X165H*T-2 TWO-SIDED HEAT SHRINK LABEL CUSTOMER DRAWING	
ITEM REVISION NAME	100472PK/05
DATASET FILE NAME	100472PK_DC_C10641/05C
UNLESS OTHERWISE SPECIFIED, DIMENSIONAL TOLERANCES ARE: IN [mm]	
.x ± .12 [3.05]	.xxx ± .020 [5.08]
.xx ± .062 [1.57]	ANGLES ±
THIRD ANGLE PROJECTION	
MATERIAL: HEAT SHRINK TUBING, GMUHS31	
DRAWING NUMBER: C10641	
DRAWN BY	RVU
DATE	9/09/08
CHK	SCWE
SCALE	NTS
SHT 1 OF 1	
A	

2

1

D10100DA/16

X-ON Electronics

Largest Supplier of Electrical and Electronic Components

Click to view similar products for [Wire Labels & Markers](#) category:

Click to view products by [Panduit](#) manufacturer:

Other Similar products are found below :

[89078GBEST](#) [89082GBESR](#) [89082GBEST](#) [PCL025-4](#) [5761-2SF](#) [58400](#) [586R734H02](#) [M1.040.0000.6](#) [CRS-CM5M](#) [CRS-M18M](#) [CS1836-000](#) [CS8626-000](#) [CU6337-000](#) [CU6342-000](#) [CU6343-000](#) [CWD01-0](#) [CWD012-0](#) [CWD012-7](#) [CWD015-3](#) [CWD015-7](#) [CWD02-0](#) [CWD02-3](#) [CWD02-4](#) [CWD02-6](#) [CWD02-8](#) [CWD02-A](#) [CWD02-D](#) [CWD02-H](#) [CWD02-K](#) [CWD02-L](#) [CWD02-M](#) [CWD02-P](#) [CWD02-Q](#) [CWD02-R](#) [CWD02-U](#) [CWD02-W](#) [CWD02-Y](#) [CWD03-+](#) [CWD03-0](#) [CWD03-P](#) [CWD06-0](#) [CWD06-8](#) [CWD06-9](#) [CWD06-L](#) [CWD06-N](#) [CWD09-0](#) [CWD09-5](#) [CWD09-7](#) [6806810001](#) [CZ2857-000](#)