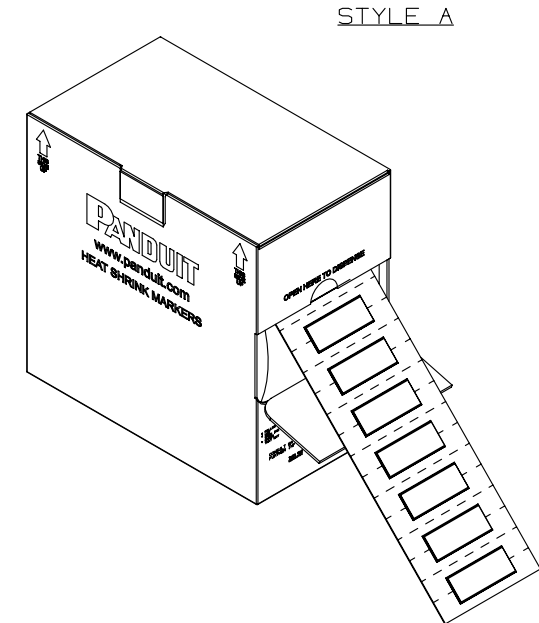
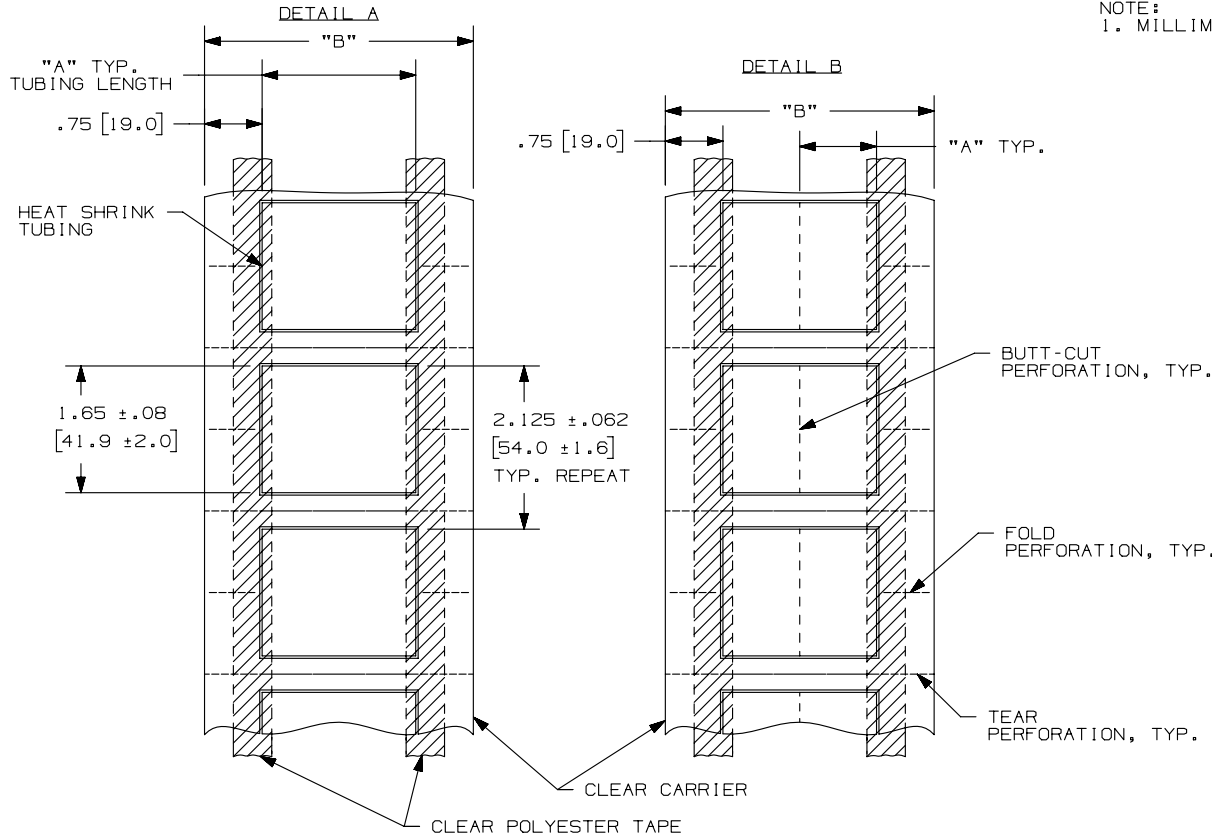


THIS COPY IS PROVIDED ON A RESTRICTED BASIS AND IS NOT TO BE USED IN ANY WAY DETRIMENTAL TO THE INTERESTS OF PANDUIT CORP.

PART NUMBER	SEE DETAIL	MATERIAL	"A" +/- .062	"B" +/- .062	INSIDE NOMINAL DIA.	MIN. ID SUPPLIED	MAX. ID RECOVERED	MARKER ACROSS	TUBING COLOR	PKG. QTY.	SEE STYLE
H100X165HFT-2	B	GMUHF	1.00 [25.4]	3.50 [88.9]	1 in. [25.4 mm]	1.00 [25.4]	0.50 [12.7]	2	WHITE	500	A
H200X165HFT-2	A		2.00 [50.8]					1		250	
H100X165HGT-2	B		1.00 [25.4]					2		500	
H200X165HGT-2	A		2.00 [50.8]					1		250	

NOTE:
1. MILLIMETER ARE IN [].



STYLE A

REV	DATE	BY	CHK	APR	DESCRIPTION	ECN
2	2/4/13	RVU	DAPE	SEWH	UPDATE ON TEMPLATE FOR 'A' WITH NEW LOGO.	GAECN00577
1	8/23/11	RVU	DAPE		UPDATE ON VIEW.	6481
0	6/2/11	RVU	DAPE		DRAWING RELEASE.	6412

TITLE		H***X165H*T-2 TWO-SIDED HEAT SHRINK LABEL, HALOGEN FREE CUSTOMER DRAWING	
ITEM REVISION NAME		100472XP/02	
DATASET FILE NAME		100472XP-DC-C10931/02D	
UNLESS OTHERWISE SPECIFIED, DIMENSIONAL TOLERANCES ARE: IN [mm]		MATERIAL:	
.x ± .12 [3.05] .xxx ± .015 [.381]		HEAT SHRINK TUBING, GMUHF21	
.xx ± .062 [1.57] ANGLES ±		DRAWING NUMBER:	
THIRD ANGLE PROJECTION		C10931	
DRAWN BY	DATE	CHK	SCALE
RVU	6/2/11	MSAD	NTS
SHT 1 OF 1			SIZE
			A

D10100DA/12

X-ON Electronics

Largest Supplier of Electrical and Electronic Components

Click to view similar products for [Wire Labels & Markers](#) category:

Click to view products by [Panduit](#) manufacturer:

Other Similar products are found below :

[89078GBEST](#) [89082GBESR](#) [89082GBEST](#) [PCL025-4](#) [5761-2SF](#) [58400](#) [586R734H02](#) [M1.040.0000.6](#) [CRS-CM5M](#) [CRS-M18M](#) [CS1836-000](#) [CS8626-000](#) [CU6337-000](#) [CU6342-000](#) [CU6343-000](#) [CWD01-0](#) [CWD012-0](#) [CWD012-7](#) [CWD015-3](#) [CWD015-7](#) [CWD02-0](#) [CWD02-3](#) [CWD02-4](#) [CWD02-6](#) [CWD02-8](#) [CWD02-A](#) [CWD02-D](#) [CWD02-H](#) [CWD02-K](#) [CWD02-L](#) [CWD02-M](#) [CWD02-P](#) [CWD02-Q](#) [CWD02-R](#) [CWD02-U](#) [CWD02-W](#) [CWD02-Y](#) [CWD03-+](#) [CWD03-0](#) [CWD03-P](#) [CWD06-0](#) [CWD06-8](#) [CWD06-9](#) [CWD06-L](#) [CWD06-N](#) [CWD09-0](#) [CWD09-5](#) [CWD09-7](#) [6806810001](#) [CZ2857-000](#)