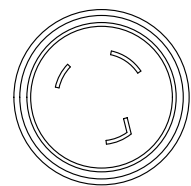
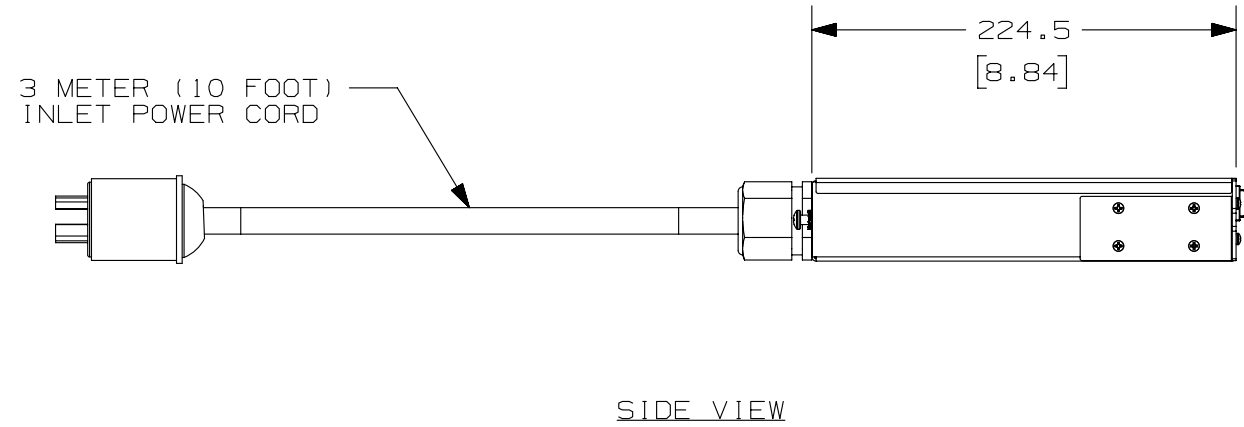
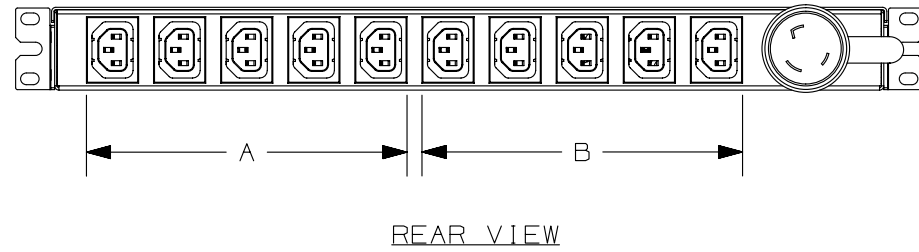
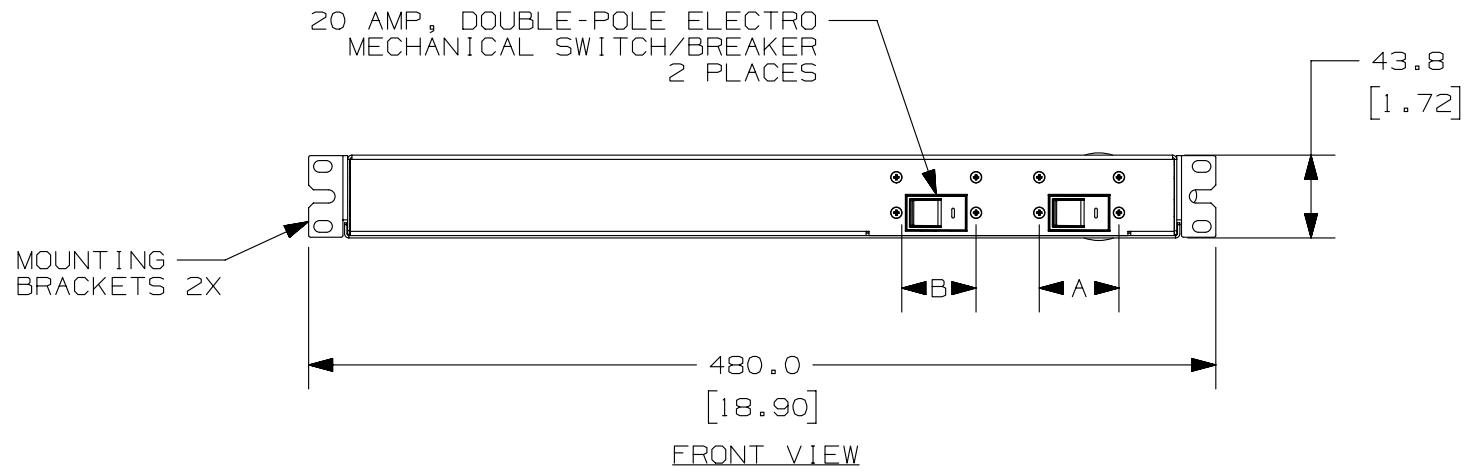


PANDUIT P/N	WEIGHT
H1B1B1L2N10AXA0	4.7kg (10.36lbs)

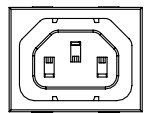
NOTES:

- IDENTIFICATION: 1RU HORIZONTAL, (10) C13 BASIC 208V / 30A / SINGLE-PHASE PDU
- ACCESSORY COMPONENTS:
  - (1) QUICK-START GUIDE
  - (4) M6 X 20mm SCREWS
  - (4) 12-24 X 1/2" SCREWS
- PRIMARY DIMENSIONS ARE IN MILLIMETERS, SECONDARY DIMENSIONS IN [ INCHES ].
- RoHS COMPLIANT.
- VISIT OUR ON-LINE CATALOG AT [WWW.PANDUIT.COM](http://WWW.PANDUIT.COM) FOR A CURRENT LIST OF PRODUCTS APPLICABLE FOR USE WITH THIS PART.
- MAXIMUM AVAILABLE INPUT POWER = 4.9 kW
- INSTALLATION SHALL COMPLY WITH ALL APPLICABLE NATIONAL, STATE, AND LOCAL CODES.
- PRINTED WITH PHASE & CIRCUIT IDENTIFICATION.

PART NO. H1B1B1L2N10AXA0  
 COLOR BLACK



PLUG  
 30 AMP, 250V  
 TWIST LOCK  
 NEMA L6-30P



TEN (10)  
 RECEPTACLES  
 15 AMP, 250V  
 STRAIGHT BLADE  
 IEC 60320/C13

REV	DATE	BY	CHK	APR	DESCRIPTION	ECN
00A	09-19-14	SAT	MRWA	EDM	RELEASED TO PRODUCTION	12V092CX-DC

WE ASK THAT YOU CHECK FULLY THE DIMENSIONS, NOTES, AND SIGN THE CLIENT SIGNATURE BOX.

THE JOB WILL NOT PROGRESS WITHOUT SIGNED APPROVAL. PLEASE DO NOT DELAY IN RETURNING PROOF AS IT WILL AFFECT DELIVERY.

SIGN  
 DATE  
 PRINT

TITLE  
 BASIC PDU  
 (10) C13  
 CUSTOMER DRAWING

ITEM REVISION NAME  
 12V092CX/00

DATASET FILE NAME  
 12V092CX\_DC/00A

UNLESS OTHERWISE SPECIFIED, DIMENSIONAL TOLERANCES ARE:  
 INCHES METRIC - MILLIMETER ANGLE  
 X.X +/- 0.03 X.X +/- 0.8 +/- 1°  
 X.XX +/- 0.018 X.XX +/- 0.46  
 X.XXX +/- 0.007 X.XX +/- 0.18

MATERIAL/COLOR:  
 N/A

DRAWING NUMBER:  
 12V092CX-DC

DRAWN BY: SAT DATE: 09-10-14 CHK: MRWA SCALE: NONE

THIRD ANGLE PROJECTION

SHT 1 OF 1 SIZE B

## X-ON Electronics

Largest Supplier of Electrical and Electronic Components

*Click to view similar products for [Wire Ducting & Raceways](#) category:*

*Click to view products by [Panduit](#) manufacturer:*

Other Similar products are found below :

[FG5EI25-A](#) [PED12](#) [PED8](#) [PEVEP](#) [FXOE3-10M3](#) [FZD3-3M2](#) [FZLE10-10M2](#) [FZOE10-10M1](#) [FZOLE10-10M2](#) [FZPE3-10M2](#) [923223-000](#)  
[PRAF6WH-X](#) [A0405538](#) [1301150342](#) [1301230083](#) [1301150343](#) [1301230086](#) [1301240054](#) [AX101472](#) [AX102652](#) [AX102653](#) [AX102737](#)  
[S62DS](#) [S65DS](#) [S75DSH](#) [A0405536](#) [A0405537](#) [A0649869](#) [FXOD3-3M1](#) [FXOE10-10M2](#) [FZLD3-3M2](#) [FZOE3-10M1](#) [FZOE3-10M2](#)  
[FZOLE3-10M2](#) [FZOPE10-10M1](#) [FZPD3-3M2](#) [PZRFE4](#) [PZWIFIEN](#) [PZWIFIENA](#) [CNPSNH](#) [CNSPC](#) [5400ES](#) [WDLT-1216-72](#) [655287-000](#)  
[S75DS](#) [1301180028](#) [801A-LSP](#) [206461-000](#) [853425-000](#) [3066](#)