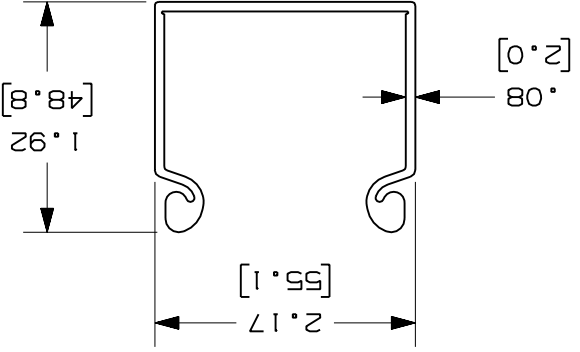
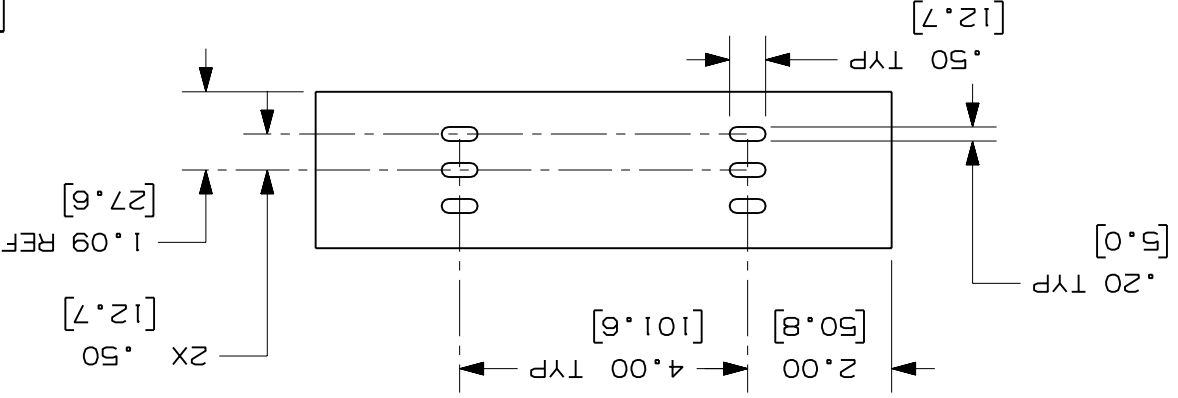
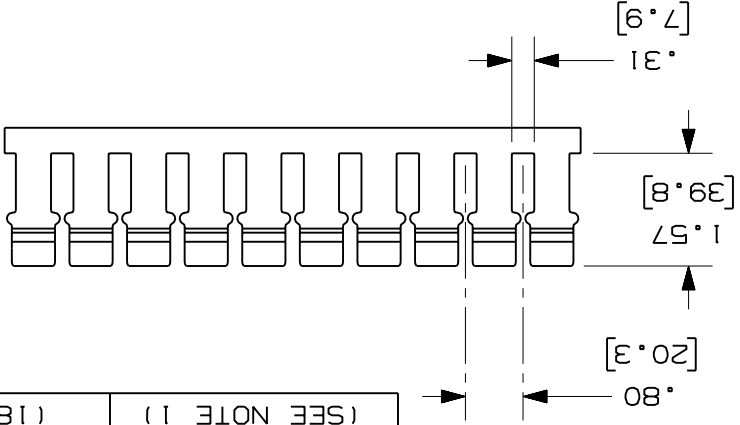


PANDUIT PART NUMBER	LENGTH	WEIGHT	WEIGHT/LENGTH
H2X2**2 (SEE NOTE 1)	78.74 IN ±.18 IN (2000.0mm ±4.6mm)	1.97 LB (894g)	0.30 LB/FT (4.5g/cm)
H2X2**6 (SEE NOTE 1)	72.00 IN ±.18 IN (1828.8mm ±4.6mm)	1.80 LB (816g)	0.30 LB/FT (4.5g/cm)

NOTES:

- 1. SEE CURRENT CATALOG FOR ADDITIONAL PART SUFFIXES TO INDICATE COLOR AND/OR PACKAGE QUANTITY.
- 2. DIMENSIONS IN PARENTHESES ARE IN METRIC.



ENG. REF.: D38258CJ-DC-H2X2-00.prt

CAD FILENAME/LAYERS

H2X2.ppt

PANDUIT  
CORP  
TINLEY PARK, ILLINOIS

FIBERRUNNER 2X2 HINGED SLOTTED  
CHANNEL (H2X2\*\*2, H2X2\*\*6)  
CUSTOMER DRAWING

UNLESS OTHERWISE SPECIFIED,  
DIMENSIONAL TOLERANCES ARE:  
(.XX) ±.03 (0.8)  
(.XXX) ±  
ANGLES ±

UNLESS OTHERWISE SPECIFIED,  
ALL DIMENSIONS ARE GIVEN IN  
INCHES, THIRD ANGLE PROJECTION.

DRAWN BY M50	DATE 1-8-07	CHK'D RN	MAT'L:	PVC
SCALE NONE	DRAWING NO. 38258-25	SIZE A	REV R	DATE 1-8-07

REV	DATE	BY	CHK	DESCRIPTION	ECN	R	CUST	SUP	GMBH
R	1-8-07	MSO	RN	RELEASED TO PRODUCTION	38258-25	RN	RN		

## X-ON Electronics

Largest Supplier of Electrical and Electronic Components

*Click to view similar products for [Wire Ducting](#) category:*

*Click to view products by [Panduit](#) manufacturer:*

Other Similar products are found below :

[66200A-10](#) [CVED32VEPG](#) [CVED40VEPG](#) [F512D5-5F140Y](#) [F512D5-5F200Y](#) [F512D5-5F26Y](#) [F512D5-5F30Y](#) [F512D5-5F33Y](#) [F512D5-5F34Y](#) [F512D5-5F45Y](#) [F512D5-5F50Y](#) [F512D5-5F54Y](#) [F512D5-5F66Y](#) [F512D5-5F70Y](#) [F512D5-5F75Y](#) [F512D5-5F90Y](#) [F612D5-5F100Y](#) [F612D5-5F130Y](#) [F612D5-5F50Y](#) [F612D5-5F56Y](#) [F612D5-5F58Y](#) [F6L12D5-5F46](#) [F912D5-5F11Y](#) [F912D5-5F170Y](#) [F912D5-5F175Y](#) [F912D5-5F230Y](#) [F912D5-5F300Y](#) [F912D5-5F55Y](#) [F912D5-5F56Y](#) [F912D5-5F63Y](#) [F912D5-5F6Y](#) [F912D5-5F75Y](#) [F912D5-5F85Y](#) [F912D5-5F86Y](#) [F912D5-5F88Y](#) [F912D5-5F96Y](#) [FAP0047WBLMTP](#) [FAP12WBRDRDDLZ](#) [FAP12WDYLYLDLZ](#) [FAP12WEORORDLZ](#) [FAP6WEORORDLZ](#) [FAP6WFDBDBDLZ](#) [FAP8WEORORDLZ](#) [FCE2UWCL](#) [800A-LB](#) [802A-ECSP](#) [802I-ICSP](#) [FJQADH](#) [FJQFXT](#) [PED10](#)