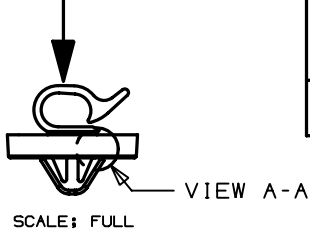
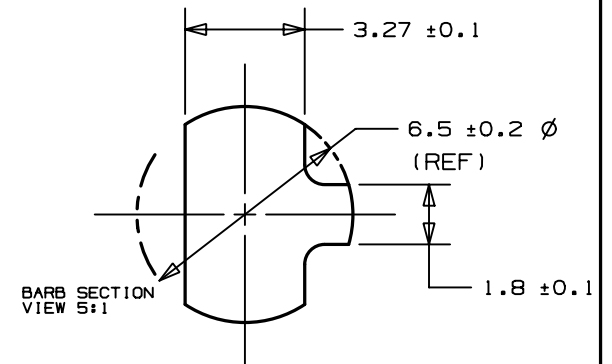
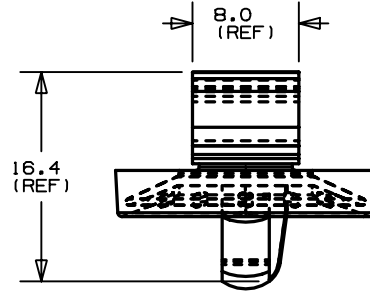
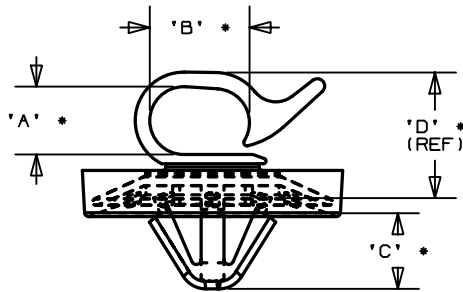


THIS COPY IS PROVIDED ON A RESTRICTED BASIS AND IS NOT TO BE USED IN ANY WAY DETRIMENTAL TO THE INTERESTS OF PANDUIT CORPORATION.

F max = 70N

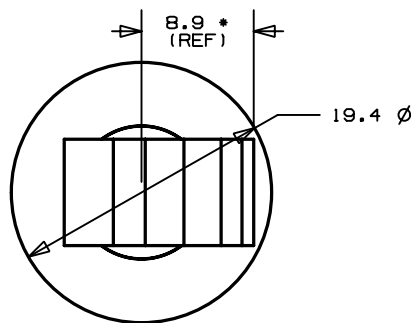


PANDUIT PART NO.	BUNDLE DIA. MIN - MAX.	DIMENSIONS				WEIGHT grams 100 pcs
		'A'	'B'	'C'	'D'	
HCAG05C07-___20	0 - 5.1	5.1	7.5	5.1	9.3	122

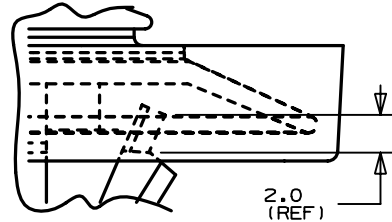


NOTES:

1. SEE CURRENT PRICE SHEET FOR PART NUMBER SUFFIX DESIGNATION FOR PACKAGE SIZE, AND COLOR.
2. MATERIAL:
CLIP - NYLON 6/6
GASKET - TPE (STYRENIC BASED ELASTOMER)
COLOR: BLACK
3. HOLE DIAMETER: 6.5 - 6.7
PANEL THICKNESS: 0.5 - 0.7
4. (*) DIMENSIONAL VARIANCE IS POSSIBLE DUE TO MOLDING PROCESS RELATED SINKMARKS.



VIEW A-A
SCALE: 5X
(SOME DETAIL REMOVED)



CAD FILENAME/LAYER G01932BD_PB_HCAG05C07_04

PANDUIT CORP.

TINLEY PARK, ILLINOIS

HARNESS CLIP WITH PUSH MOUNT ANCHOR AND GASKET

Unless otherwise specified, all dimensions are metric tolerance; ±0.5mm

DRAWN BY JAD

MAT'L:

SCALE 2x

DATE 1-15-99

SEE NOTE 2

DRAWING NO.

GB1932BD

DWG SIZE A

REV	DATE	BY	CHK	DESCRIPTION	ECN - R	CUST	SUP
4	11/4/03	JAD		CHG DIM 'D' TO REF, 3.27 DIM WAS 3.6, CHG 6.5 DIM TO REF, DEL (2) 1.8 REF DIMS, DEL, .6 DIM	681932BD	4	

X-ON Electronics

Largest Supplier of Electrical and Electronic Components

Click to view similar products for [Cable Mounting & Accessories](#) category:

Click to view products by [Panduit](#) manufacturer:

Other Similar products are found below :

[582603-1](#) [009333-000](#) [727844N003](#) [747](#) [809090N001](#) [843188-000](#) [8666](#) [967279N002](#) [DB-11](#) [1300840039](#) [1300900096](#) [1301800416](#)
[1302264450](#) [1300830184](#) [1300830729](#) [1300900039](#) [1301580036](#) [1301850553](#) [1301860939](#) [1302000074](#) [1302261315](#) [1302264431](#)
[1337706-2](#) [APA18-AK](#) [1724](#) [1-787307-1](#) [185491N001](#) [1868](#) [HP-6N](#) [C-202-C](#) [202C221-13-0](#) [CA7308-000](#) [8S23-75FR-CS8184](#) [2684](#) [9648](#)
[3089](#) [988382-000](#) [A72821-000](#) [AA401](#) [173506-000](#) [1823](#) [202C292-13-0](#) [202C302-13-0](#) [2109](#) [300625](#) [3330](#) [3412](#) [M9142](#) [M9143](#) [529732-000](#)