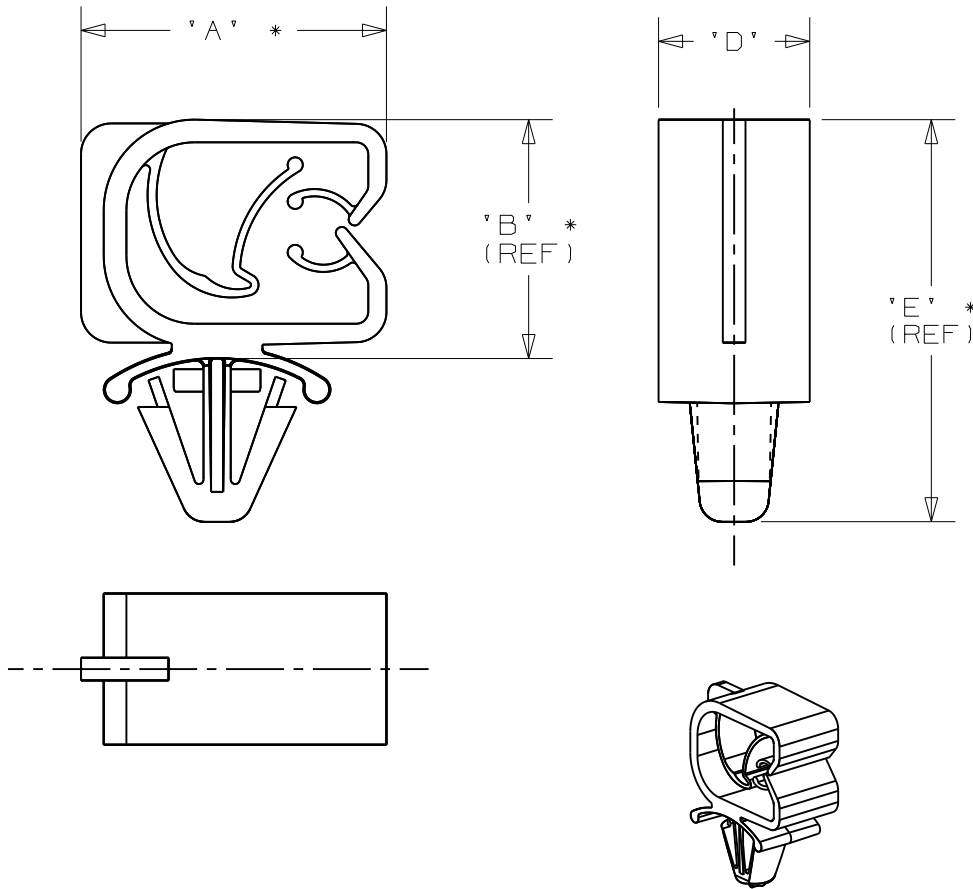


THIS COPY IS PROVIDED ON A RESTRICTED BASIS AND IS NOT TO BE USED IN ANY WAY DETRIMENTAL TO THE INTERESTS OF PANDUIT CORP.

PANDUIT PART NO.	BUNDLE DIA MIN - MAX.	DIMENSIONS					MATERIAL	COLOR	WEIGHT grams 100 pcs
		'A'	'B'		'D'	'E'			
HCMP06C12-...30	6 - 12	20.2	15.7		10	27.9	NYLON 6/6 HEAT STABILIZED	BLACK	160
HCMP06C12-...20							NYLON 6/6		



SCALE: FULL

NOTES:

1. SEE CURRENT PRICE SHEET FOR PART NUMBER SUFFIX DESIGNATION FOR PACKAGE SIZE, AND COLOR.
2. (\*) DIMENSIONAL VARIANCE IS POSSIBLE DUE TO MOLDING PROCESS RELATED SINK MARKS.
3. APPLICATION SPECIFICATION:  
 HOLE DIAMETER: 6.3 - 7.2 mm  
 PANEL THICKNESS: 0.6 - 3.0 mm

CAD FILENAME/LAYERS		G01932BC_PB_HCMP06C12_05	
<b>PANDUIT</b>		CORP. TINLEY PARK, ILLINOIS	
HARNESS CLIP WITH PUSH MOUNT ANCHOR			
Unless otherwise specified, all dimensions are metric tolerance; ±0.5mm			
DRAWN BY	JAD	MAT'L:	SCALE 2x
DATE	5-04-98	SEE TABLE	DRAWING NO.
CHK'D			GB1932BC
			DWG SIZE A

5	4/29/03	JAD		COMPLETELY REVISED, REMOVED GERMAN TEXT	GB1932BC	5			
REV	DATE	BY	CHK	DESCRIPTION	ECN	R	CUST	SUP	

## X-ON Electronics

Largest Supplier of Electrical and Electronic Components

*Click to view similar products for [Cable Mounting & Accessories](#) category:*

*Click to view products by [Panduit](#) manufacturer:*

Other Similar products are found below :

[582603-1](#) [009333-000](#) [727844N003](#) [747](#) [809090N001](#) [843188-000](#) [8666](#) [967279N002](#) [DB-11](#) [1300840039](#) [1300900096](#) [1301800416](#)  
[1302264450](#) [1300830184](#) [1300830729](#) [1300900039](#) [1301580036](#) [1301850553](#) [1301860939](#) [1302000074](#) [1302261315](#) [1302264431](#)  
[1337706-2](#) [APA18-AK](#) [1724](#) [1-787307-1](#) [185491N001](#) [1868](#) [HP-6N](#) [C-202-C](#) [202C221-13-0](#) [CA7308-000](#) [8S23-75FR-CS8184](#) [2684](#) [9648](#)  
[3089](#) [988382-000](#) [A72821-000](#) [AA401](#) [173506-000](#) [1823](#) [202C292-13-0](#) [202C302-13-0](#) [2109](#) [300625](#) [3330](#) [3412](#) [356247-1](#) [M9142](#)  
[M9143](#)