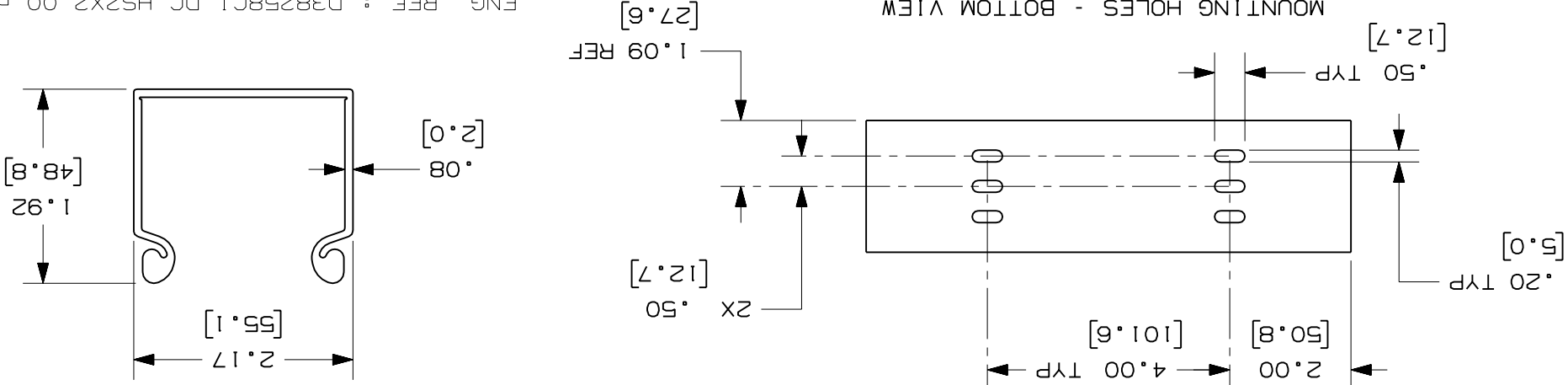


PANDUIT PART NUMBER	LENGTH	WEIGHT	WEIGHT/LENGTH
HS2X2**2 (SEE NOTE 1)	78.74 IN ±.18 IN (2000.0mm ±4.6mm)	2.56 LB (1161g)	0.39 LB/FT (5.8g/cm)
HS2X2**6 (SEE NOTE 1)	72.00 IN ±.18 IN (1828.8mm ±4.6mm)	2.34 LB (1061g)	0.39 LB/FT (5.8g/cm)
HS2X2**2NM (SEE NOTE 1)	78.74 IN ±.18 IN (2000.0mm ±4.6mm)	2.62 LB (1188g)	0.40 LB/FT (6.0g/cm)
HS2X2**6NM (SEE NOTE 1)	72.00 IN ±.18 IN (1828.8mm ±4.6mm)	2.40 LB (1088g)	0.40 LB/FT (6.0g/cm)

NOTES:

- SEE CURRENT CATALOG FOR ADDITIONAL PART SUFFIXES TO INDICATE COLOR AND/OR PACKAGE QUANTITY.
- DIMENSIONS IN PARENTHESES ARE IN METRIC.



ENG. REF.: D38258C1_DC_HS2X2_00.prt

CAD FILENAME/LAYERS

HS2X2.ppt

PANDUIT
CORP
TINLEY PARK, ILLINOIS

FIBERRUNNER 2X2 HINGED CHANNEL (HS2X2**2, HS2X2**6, HS2X2**2NM, HS2X2**6NM)
CUSTOMER DRAWING

UNLESS OTHERWISE SPECIFIED, DIMENSIONAL TOLERANCES ARE:
(.XX) ±.03 (10.8)
(.XXX) ±.03 (10.8)
ANGLES ±

UNLESS OTHERWISE SPECIFIED, ALL DIMENSIONS ARE GIVEN IN INCHES, THIRD ANGLE PROJECTION.

SCALE NONE

DRAWING NO. 38258-24

PVC

REV	DATE	BY	CHK	DESCRIPTION	ECN	R	CUST	SUP	GMBH	CHK'D	RN
R	1-8-07	MSO	RN	RELEASED TO PRODUCTION	38258-24	RN	RN				1-8-07

SIZE A

X-ON Electronics

Largest Supplier of Electrical and Electronic Components

Click to view similar products for [Wire Ducting & Raceways](#) category:

Click to view products by [Panduit](#) manufacturer:

Other Similar products are found below :

[FG5EI25-A](#) [PED12](#) [PED8](#) [PEVEP](#) [FXOE3-10M3](#) [FZD3-3M2](#) [FZLE10-10M2](#) [FZOE10-10M1](#) [FZOLE10-10M2](#) [FZPE3-10M2](#) [923223-000](#)
[PRAF6WH-X](#) [A0405538](#) [1301150342](#) [1301230083](#) [1301150343](#) [1301230086](#) [1301240054](#) [AX101472](#) [AX102652](#) [AX102653](#) [AX102737](#)
[S62DS](#) [S65DS](#) [S75DSH](#) [A0405536](#) [A0405537](#) [A0649869](#) [FXOD3-3M1](#) [FXOE10-10M2](#) [FZLD3-3M2](#) [FZOE3-10M1](#) [FZOE3-10M2](#)
[FZOLE3-10M2](#) [FZOPE10-10M1](#) [FZPD3-3M2](#) [PZRFE4](#) [PZWIFIEN](#) [PZWIFIENA](#) [CNPSNH](#) [CNSPC](#) [5400ES](#) [WDLT-1216-72](#) [655287-000](#)
[S75DS](#) [1301180028](#) [801A-LSP](#) [TGECAW](#) [206461-000](#) [853425-000](#)