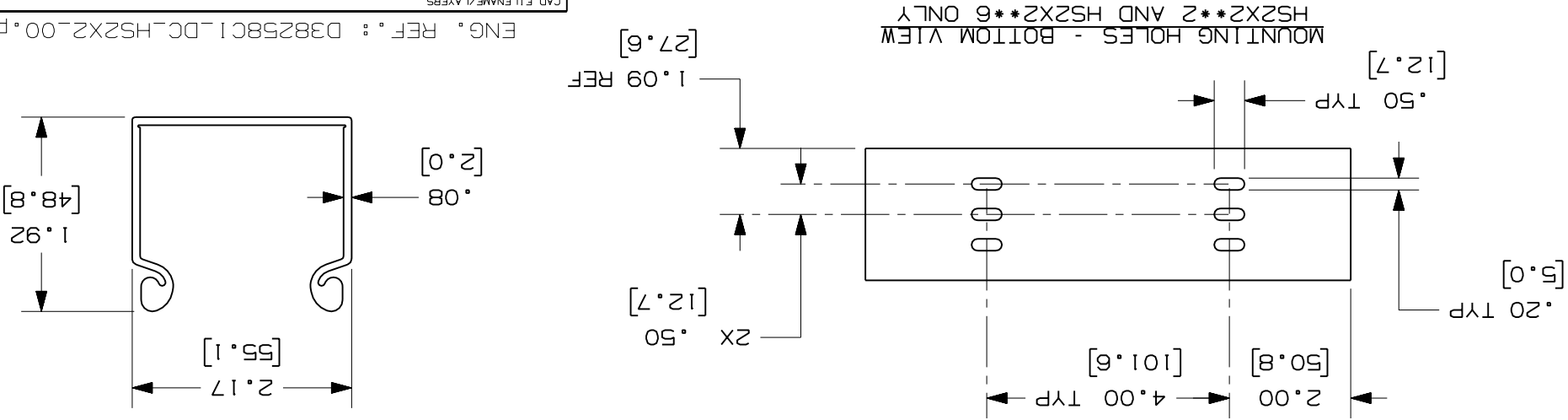


THIS COPY IS PROVIDED ON A RESTRICTED BASIS AND IS NOT TO BE USED IN ANY WAY DETRIMENTAL TO THE INTERESTS OF PANDUIT CORP.

PANDUIT PART NUMBER	LENGTH	WEIGHT	WEIGHT/LENGTH
HS2X2**2 (SEE NOTE 1)	78.74 IN \pm .18 IN (2000.0mm \pm 4.6mm)	2.56 LB (1161g)	0.39 LB/FT (5.8g/cm)
HS2X2**6 (SEE NOTE 1)	72.00 IN \pm .18 IN (1828.8mm \pm 4.6mm)	2.34 LB (1061g)	0.39 LB/FT (5.8g/cm)
HS2X2**2NM (SEE NOTE 1)	78.74 IN \pm .18 IN (2000.0mm \pm 4.6mm)	2.62 LB (1188g)	0.40 LB/FT (6.0g/cm)
HS2X2**6NM (SEE NOTE 1)	72.00 IN \pm .18 IN (1828.8mm \pm 4.6mm)	2.40 LB (1088g)	0.40 LB/FT (6.0g/cm)

NOTES:

1. SEE CURRENT CATALOG FOR ADDITIONAL PART SUFFIXES TO INDICATE COLOR AND/OR PACKAGE QUANTITY.
2. DIMENSIONS IN PARENTHESES ARE IN METRIC.



ENG. REF.: D38258C1_DC_HS2X2_00.prt

CAD FILENAME/LAYERS

HS2X2.pdt

PANDUIT
CORP
TINLEY PARK, ILLINOIS

FIBER RUNNER 2x2 HINGED CHANNEL (HS2X2**2,
HS2X2**6, HS2X2**2NM, HS2X2**6NM)
CUSTOMER DRAWING

UNLESS OTHERWISE SPECIFIED,
DIMENSIONAL TOLERANCES ARE:
(XX) \pm .03 (10.8)
(XXX) \pm
ANGLES \pm
UNLESS OTHERWISE SPECIFIED,
ALL DIMENSIONS ARE GIVEN IN
INCHES, THIRD ANGLE PROJECTION.

SCALE
NONE

DRAWING NO. 38258-24

SIZE
A

REV

DATE

BY

CHK

DESCRIPTION

ECN

- R

CUST

SUP

GMBH

RN
CHK'D
1-8-07

R

1-8-07

MSO

RN

RELEASED TO PRODUCTION

38258-24

RN

RN

DATE
MISO
DRAWN BY
MAT'L:

PVC

DWG

X-ON Electronics

Largest Supplier of Electrical and Electronic Components

Click to view similar products for [Wire Ducting](#) category:

Click to view products by [Panduit](#) manufacturer:

Other Similar products are found below :

[66200A-10](#) [CVED32VEPG](#) [CVED40VEPG](#) [F512D5-5F140Y](#) [F512D5-5F200Y](#) [F512D5-5F26Y](#) [F512D5-5F30Y](#) [F512D5-5F33Y](#) [F512D5-5F34Y](#) [F512D5-5F45Y](#) [F512D5-5F50Y](#) [F512D5-5F54Y](#) [F512D5-5F66Y](#) [F512D5-5F70Y](#) [F512D5-5F75Y](#) [F512D5-5F90Y](#) [F612D5-5F100Y](#) [F612D5-5F130Y](#) [F612D5-5F50Y](#) [F612D5-5F56Y](#) [F612D5-5F58Y](#) [F6L12D5-5F46](#) [F912D5-5F11Y](#) [F912D5-5F170Y](#) [F912D5-5F175Y](#) [F912D5-5F230Y](#) [F912D5-5F300Y](#) [F912D5-5F55Y](#) [F912D5-5F56Y](#) [F912D5-5F63Y](#) [F912D5-5F6Y](#) [F912D5-5F75Y](#) [F912D5-5F85Y](#) [F912D5-5F86Y](#) [F912D5-5F88Y](#) [F912D5-5F96Y](#) [FAP0047WBLMTP](#) [FAP12WBRDRDDLZ](#) [FAP12WDYLYLDLZ](#) [FAP12WEORORDLZ](#) [FAP6WEORORDLZ](#) [FAP6WFDBDBDLZ](#) [FAP8WEORORDLZ](#) [FCE2UWCL](#) [800A-LB](#) [802A-ECSP](#) [802I-ICSP](#) [FJQADH](#) [FJQFXT](#) [PED10](#)