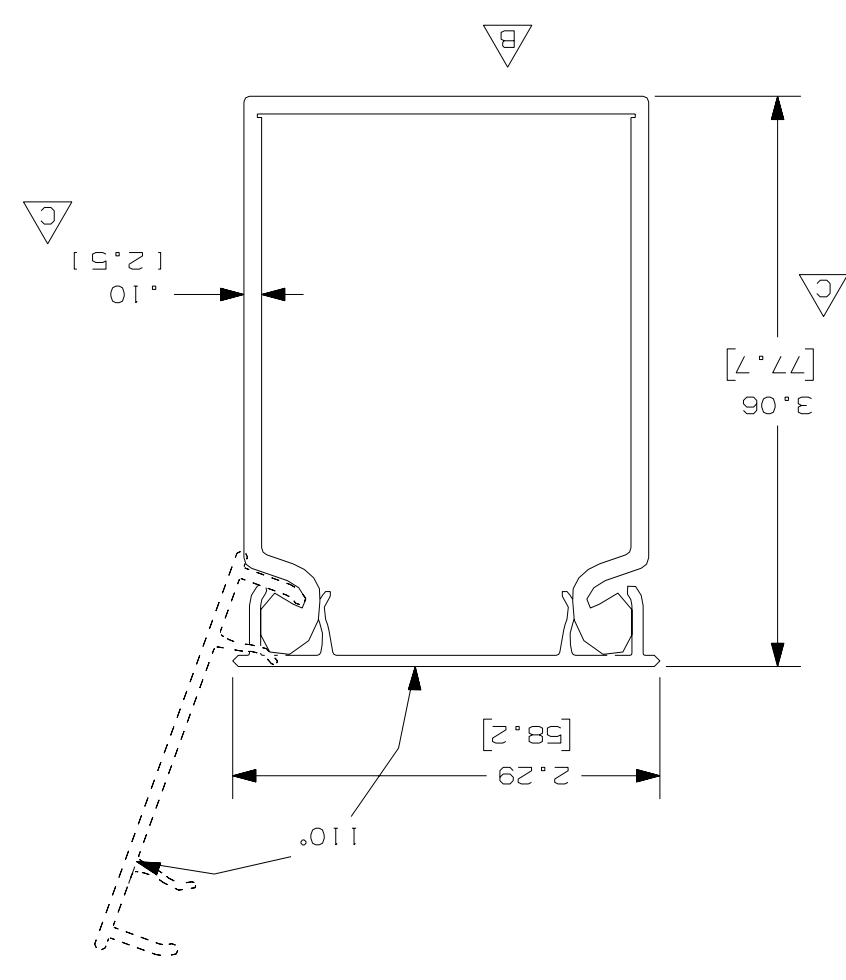
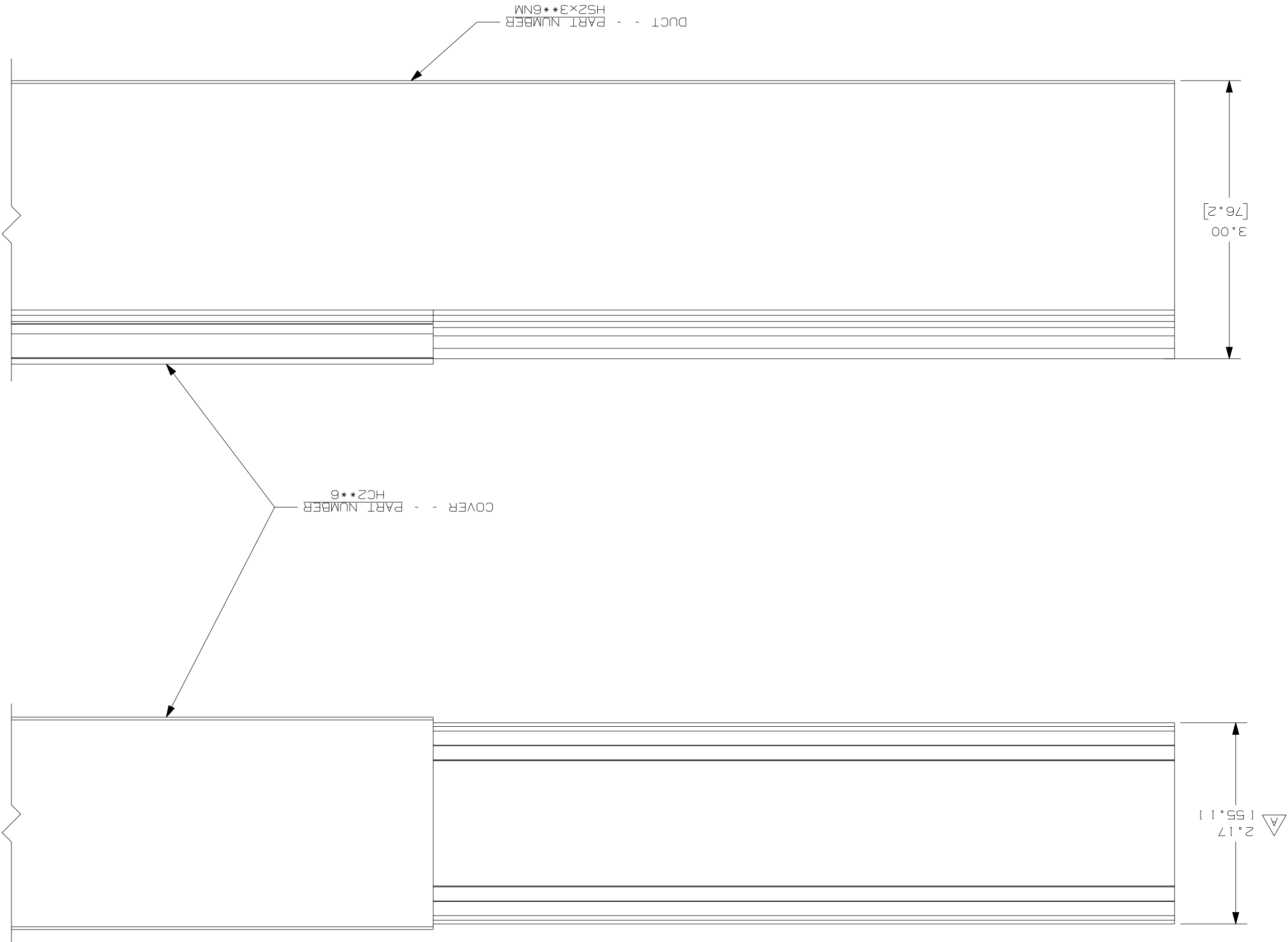


|     |         |      |     |  |
|-----|---------|------|-----|--|
| REV | DATE    | BY   | CHK | DESCRIPTION  |
| R   | 8/12/05 | JCST | MKB | DRAWING RELEASED   |
| 1   | 8/3/07  | JCST | MKB | A. ADDED DIMENSION<br>B. DELETED DIMENSION<br>C. CORRECTED DIMENSION<br>D. ADDED LENGTH NOTE |
| --  | ----    | --   | --  |  |

|            |         |             |            |
|------------|---------|-------------|------------|
| DRWN BY    | JCST    | MAT'L:      | PVC        |
| CHECKED BY | MKB     | SCALE       | FULL       |
| DATE       | 8/12/05 | DRAWING NO. | 36897-1071 |
| SIZE       | C       |             |            |

D11000PB-DC-00B  
 PANDUIT  
 CORP., TINGLEY PARK, ILLINOIS  
 WIRING DUCT - TYPE HS SOLID DUCT  
 2 X 3 (WITH COVER)  
 MARKETING DRAWING



- NOTES:
1. ALL DIMENSIONS ARE REFERENCE ONLY.
  2. DIMENSIONS IN PARENTHESES ARE METRIC.
  3. THE \*\* DENOTE COLOR.
  4. DUCT AND COVER ARE AVAILABLE IN 6 FT (1828.8) LENGTHS.

## X-ON Electronics

Largest Supplier of Electrical and Electronic Components

*Click to view similar products for [Wire Ducting](#) category:*

*Click to view products by [Panduit](#) manufacturer:*

Other Similar products are found below :

[66200A-10](#) [CVED32VEPG](#) [CVED40VEPG](#) [F512D5-5F140Y](#) [F512D5-5F200Y](#) [F512D5-5F26Y](#) [F512D5-5F30Y](#) [F512D5-5F33Y](#) [F512D5-5F34Y](#) [F512D5-5F45Y](#) [F512D5-5F50Y](#) [F512D5-5F54Y](#) [F512D5-5F66Y](#) [F512D5-5F70Y](#) [F512D5-5F75Y](#) [F512D5-5F90Y](#) [F612D5-5F100Y](#) [F612D5-5F130Y](#) [F612D5-5F50Y](#) [F612D5-5F56Y](#) [F612D5-5F58Y](#) [F6L12D5-5F46](#) [F912D5-5F11Y](#) [F912D5-5F170Y](#) [F912D5-5F175Y](#) [F912D5-5F230Y](#) [F912D5-5F300Y](#) [F912D5-5F55Y](#) [F912D5-5F56Y](#) [F912D5-5F63Y](#) [F912D5-5F6Y](#) [F912D5-5F75Y](#) [F912D5-5F85Y](#) [F912D5-5F86Y](#) [F912D5-5F88Y](#) [F912D5-5F96Y](#) [FAP0047WBLMTP](#) [FAP12WBRDRDDLZ](#) [FAP12WDYLYLDLZ](#) [FAP12WEORORDLZ](#) [FAP6WEORORDLZ](#) [FAP6WFDBDBDLZ](#) [FAP8WEORORDLZ](#) [FCE2UWCL](#) [800A-LB](#) [802A-ECSP](#) [802I-ICSP](#) [FJQADH](#) [FJQFXT](#) [PED10](#)