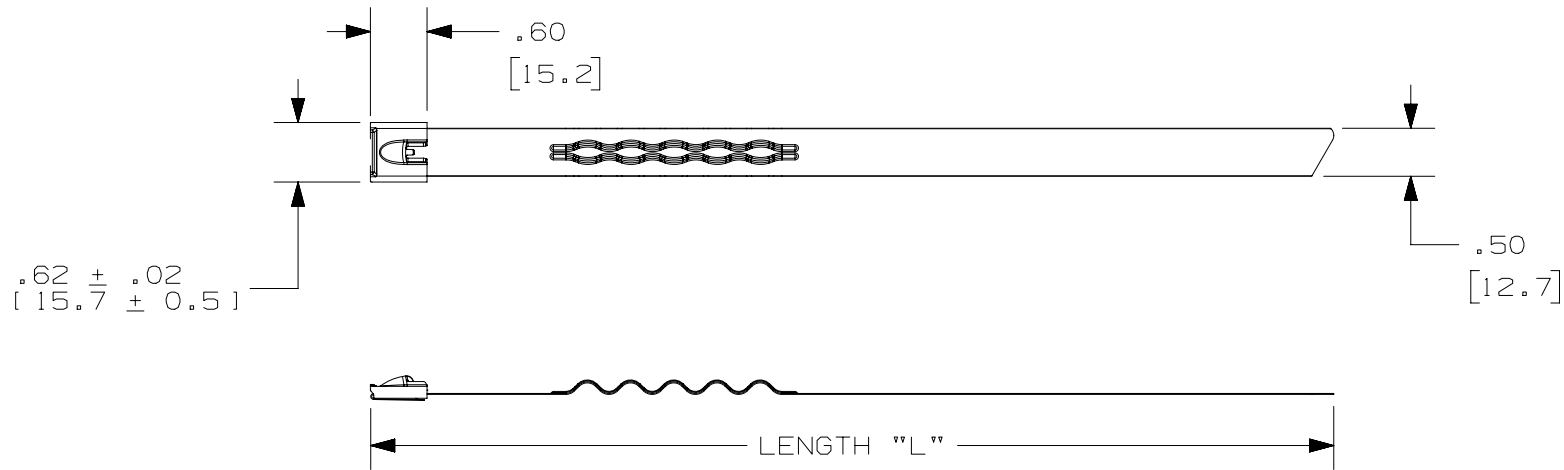


THIS COPY IS PROVIDED ON A RESTRICTED BASIS AND IS NOT TO BE USED IN ANY WAY DETRIMENTAL TO THE INTERESTS OF PANDUIT CORP.

PANDUIT PART NUMBER	PACKAGE QTY.	LENGTH "L" ±1.00" [25.4mm]
HTMLT2.7WEH-LP	50	13.0 [330]
HTMLT4WEH-LP	50	17.1 [434]
HTMLT6WEH-LP	50	23.4 [594]
HTMLT8WEH-LP	50	29.7 [754]
HTMLT10WEH-LP	50	35.9 [912]
HTMLT12WEH-Q	25	43.0 [1092]
HTMLT16WEH-Q	25	55.8 [1417]
HTMLT26WEH-Q	25	87.0 [2210]

NOTES:

1. MATERIAL: 304 STAINLESS STEEL
2. BRACKETS [] DENOTES DIMENSIONS IN MILLIMETERS
3. INSTALLATION TOOLS: RT2HT, ST2MT & ST4MT



REV	DATE	BY	CHK	APR	DESCRIPTION	ECN
02	09-01-16	JBN	SKB	RGRO	ADDED TOLERANCES TO TITLE BLOCK ADDED INSTALLATION TOOLS: RT2HT & ST4MT REMOVED INSTALLATION TOOLS: RT2HT, PBTMT REMOVED BUNDLE DIAMETER FROM CHART	13L040BF-DC
--	-----	---	---	----		-----
01	10-08-15	JBN	SKB	RGRO	ADDED PART NUMBERS: HTMLT2.7WEH-LP; HTMLT4WEH-LP; HTMLT6WEH-LP; HTMLT8WEH-LP; HTMLT10WEH-LP; HTMLT26WEH-Q	13L040BF-DC
00	06-05-15	SKB	SKB	RGRO	DRAWING RELEASED	13L040BF-DC

TITLE HEAT TRACE WAVE TY (HTMLT**WEH) CUSTOMER DRAWING			
ITEM REVISION NAME 13L040BF/02		PANDUIT	
DATASET FILE NAME 13L040BF_DC/02A			
UNLESS OTHERWISE SPECIFIED, DIMENSIONAL TOLERANCES ARE: IN [mm]			
.x ± ±.03 [.8]		.xxx ± ±.010 [.25]	
.xx ± ±.02 [.5]		ANGLES ± ±2°	
		THIRD ANGLE PROJECTION	
DRAWN BY SKB	DATE 06-05-15	CHK SKB	SCALE 1:2
DRAWING NUMBER: 13L040BF-DC			SHT 1 OF 1
			SIZE A

X-ON Electronics

Largest Supplier of Electrical and Electronic Components

Click to view similar products for [Cable Ties](#) category:

Click to view products by [Panduit](#) manufacturer:

Other Similar products are found below :

[20093-0](#) [SJ-3463](#) [SJ3518FR-1x50](#) [SJ3526N-Beige-2"x50yd](#) [SJ3526N BLACK 58" X 50YD](#) [SJ3571](#) [SJ-3571-1"x50yd-Black](#) [20113-0](#)
[T56137](#) [3-350087-0](#) [CTB75X75BKA-C](#) [3722](#) [561-B110120](#) [561-EZAB580T](#) [561-EZS375B40](#) [561-N3510](#) [561-TA250125](#) [08350-0](#) [08443-0](#)
[08600-0](#) [10035-0](#) [10036-0](#) [10037-0](#) [10325-0](#) [10362-0](#) [10606-0](#) [561-EZ250](#) [561-EZ500](#) [561-EZ625](#) [561-EZ750](#) [561-TA00600](#) [SJ3519FR](#)
[BLACK 1X50](#) [SJ3527N-Beige-2"x50yd](#) [SJ3527N-LOOP-BLACK-1](#) [SJ3572-2"x50yd-Black](#) [157-00039](#) [3719](#) [SJ-3401 BLACK 1"](#) [08445-0](#)
[08582-0](#) [08386-0](#) [10431-0](#) [08359-0](#) [10056-0](#) [10620-0](#) [10345-0](#) [10344-0](#) [08416-0](#) [08384-0](#) [08401-0](#)