

# Hyper-V™ In-Line Cable Ties and Mounts

## A Quick, Strong, and Easy Solution for Bundling Wire and Cable!

Hyper-V™ Cable Ties provide excellent tensile strength, flexibility, and bundle tightness. The ties install quickly and easily to improve productivity and reduce potential repetitive motion injuries. The innovative design of both the ties and mounts makes them the ideal solution for demanding industrial construction and MRO installations.



### Hyper-V™ Cable Ties

#### Key Features

#### Benefits

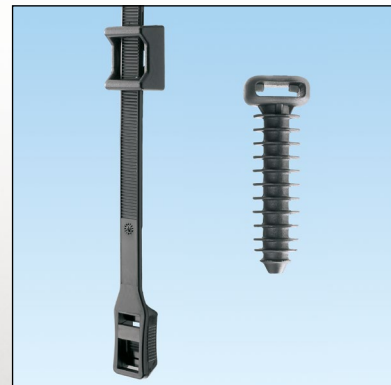
<b>Fixed and flexible 2-wedge locking design</b>	Provides a low threading force for quick and easy installation to improve productivity and worker safety, reducing the potential for repetitive motion injuries
<b>Teeth on both sides of the cable tie body</b>	Provide additional locking strength and improved flexibility to conform to irregular bundle shapes
<b>Releasable head position for temporary bundling</b>	Allows temporary bundling of cables prior to final locking, eliminating the need to replace ties when adding cables/wires to the bundle
<b>Teeth on full length of body</b>	Support a wider range of bundle diameters, reducing the number of inventoried parts
<b>Bending serrations on the tip of the tie</b>	Allows the tip to be easily formed into an arc, enabling an installer to “fish” the tie around the bundle in a confined space
<b>Threading hole in the tip of the tie</b>	Allows an installer to hook the tip with a simple device to pull the tie through spaces with limited access
<b>In-line tie design</b>	Provides parallel-entry of tie into head, resulting in a lower profile on cable bundles
<b>Rounded edges</b>	Provide a smooth surface on head and body, minimizing the risk of damage to cable, adjacent bundles, or installers’ hands



Design provides for an optional threading position that allows releasable, temporary bundling



Tip bending serrations and threading hole facilitate installations in confined spaces



Retaining tab, within window of mounts, holds cable tie in position

# Hyper-V™ Cable Ties and Mounts

## Hyper-V™ Cable Tie Mounts

### Key Features

### Benefits

<b>Retaining tab within window</b>	Holds tie in position when pre-installed in mount; tie will not slip out of mount when held in a vertical position, providing easier installation and increased productivity
<b>Low profile design</b>	Positions the bundle closer to mounting surface, conserving space and reducing standoff height of cable bundle
<b>Rounded edges</b>	Provide smooth surfaces on the mount, minimizing the risk of damage to cable, adjacent bundles, or installers' hands
<b>Barbs on masonry push mount</b>	Increases pullout force to support heavier bundles in demanding applications; barbs extend to masonry surface for improved strength

## Ordering Information

### Hyper-V™ Cable Ties



Part Number	Length In. (mm)	Width In. (mm)	Thickness In. (mm)	Head Height In. (mm)	Head Width In. (mm)	Max. Bundle Diameter In. (mm)	Min. Loop Tensile Strength Lbs. (N)	Std. Pkg. Qty.	Std. Ctn. Qty.
HV965-C0	10.4 (265)	0.350 (8.9)	0.076 (1.9)	0.318 (8.0)	0.571 (14.5)	2.60 (65)	160 (710)	100	1000
HV9100-C0	14.4 (367)					3.90 (100)		100	1000
HV9150-C0	20.7 (525)					5.90 (150)		100	1000
HV9250-C0	33.1 (841)					9.80 (250)		100	1000

Manufactured in Weather Resistant Nylon 6.6 material.

### Hyper-V™ Cable Tie Mounts



Part Number	Description	Mounting Method	Mount Dimensions In. (mm)	Hole Diameter In. (mm)	Std. Pkg. Qty.	Std. Ctn. Qty.
HVMPM-08-C0	Masonry Push Mount	Tree Barb	<b>Grip Length</b>	0.31 (8.0)	100	500
			1.38 (35.1)			
HVTM-06-C0	Tie Mount	M6 Screw or Tapered Rivet	<b>Length</b>	0.23 (5.9)	100	500
			0.81 (20.6)			
			<b>Width</b>			

Manufactured in Weather Resistant Nylon 6.6 material.

### Cable Tie Installation Tools



Part Number	Description	Std. Pkg. Qty.
STHV	Durable all-steel construction installation tool.	1
GTH-E	Ergonomic installation tool with tension control.	1

Order number of pieces required, in multiples of Standard Package Quantity.

For samples of Hyper-V™ Cable Ties and Mounts, contact Panduit Customer Service at 800-777-3300.

#### WORLDWIDE SUBSIDIARIES AND SALES OFFICES

PANDUIT CANADA  
Markham, Ontario  
cs-cdn@panduit.com  
Phone: 800.777.3300

PANDUIT EUROPE LTD.  
London, UK  
cs-emea@panduit.com  
Phone: 44.20.8601.7200

PANDUIT SINGAPORE PTE. LTD.  
Republic of Singapore  
cs-ap@panduit.com  
Phone: 65.6305.7575

PANDUIT JAPAN  
Tokyo, Japan  
cs-japan@panduit.com  
Phone: 81.3.6863.6000

PANDUIT LATIN AMERICA  
Guadalajara, Mexico  
cs-la@panduit.com  
Phone: 52.33.3777.6000

PANDUIT AUSTRALIA PTY. LTD.  
Victoria, Australia  
cs-aus@panduit.com  
Phone: 61.3.9794.9020

For a copy of Panduit product warranties, log on to [www.panduit.com/warranty](http://www.panduit.com/warranty)

For more information

Visit us at [www.panduit.com](http://www.panduit.com)

Contact Customer Service by email: [cs@panduit.com](mailto:cs@panduit.com)  
or by phone: 800.777.3300

**PANDUIT**®

©2016 Panduit Corp.  
ALL RIGHTS RESERVED.  
CTCB59--WW-ENG  
replaces WW-CTCB20  
3/2016

## X-ON Electronics

Largest Supplier of Electrical and Electronic Components

*Click to view similar products for [Cable Ties](#) category:*

*Click to view products by [Panduit](#) manufacturer:*

Other Similar products are found below :

[65037-C](#) [770-1751-10](#) [REL50L0C2](#) [20093-0](#) [SF600-120X](#) [SJ3518FR-1x50](#) [SJ3526N-Beige-2"x50yd](#) [SJ3526N BLACK 58" X 50YD](#) [SJ3571](#)  
[SJ-3571-1"x50yd-Black](#) [PLT2S-C4](#) [34-455-C](#) [3722](#) [561-B110120](#) [561-N3510](#) [TYZ528M](#) [34-463-C](#) [URT20S-M](#) [06226](#) [08350-0](#) [08600-0](#)  
[08376-0](#) [10037-0](#) [10325-0](#) [10362-0](#) [10606-0](#) [1122-4JW8](#) [561-EZ250](#) [561-EZ625](#) [SJ3527N-Beige-2"x50yd](#) [SJ3527N-LOOP-BLACK-1](#)  
[SJ3572-2"x50yd-Black](#) [CF5625-000](#) [65004-C](#) [65005-C](#) [65007-C](#) [65036-C](#) [157-00039](#) [770-1708](#) [770-1753-10](#) [770-1752](#) [SPNY-041-9](#)  
[SF400-120X](#) [3719](#) [08582-0](#) [08386-0](#) [10431-0](#) [08359-0](#) [10620-0](#) [10345-0](#)