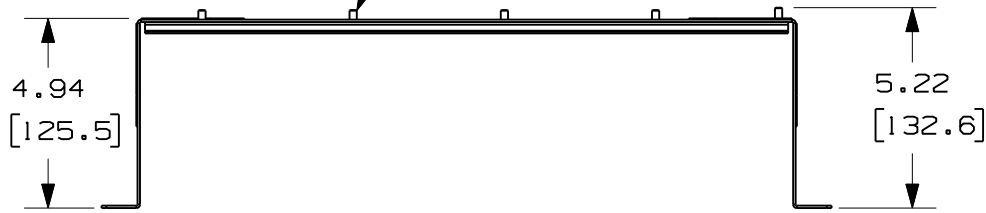
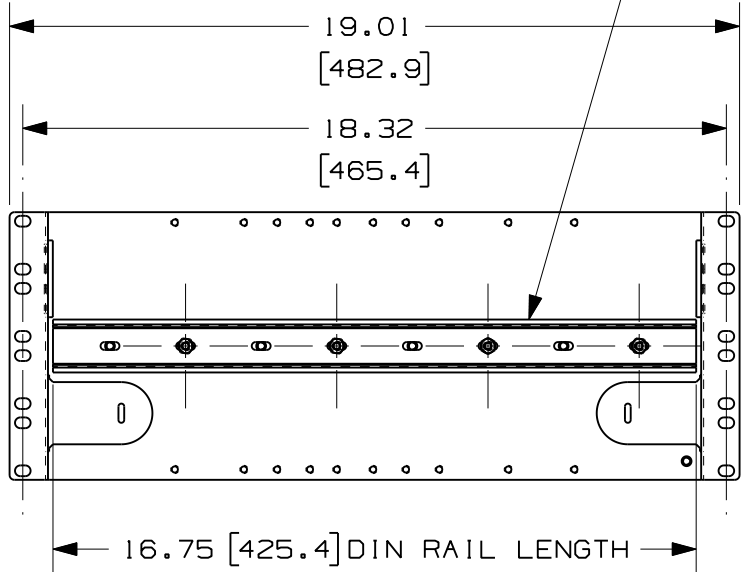


THIS COPY IS PROVIDED ON A RESTRICTED BASIS AND IS NOT TO BE USED IN ANY WAY DETRIMENTAL TO THE INTERESTS OF PANDUIT CORP.

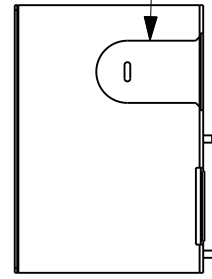
#10-32 THREADED STUDS FOR OPTIONAL MOUNTING OF DIN RAIL TO THE BACK OF THE PANEL



DIN RAIL, 35mm x 7.5mm



KNOCKOUTS FOR PASS THROUGH GROMMETS, 4 LOCATIONS

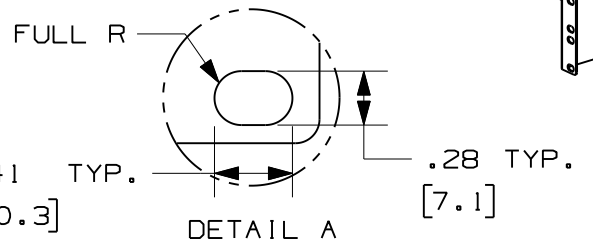
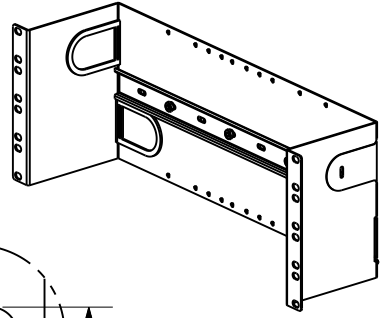


6.97 [177.0]

PANDUIT P/N	WEIGHT
IABDIN4	3.9 LBS 1.8 kg

NOTES:

- VISIT OUR ON-LINE CATALOG AT WWW.PANDUIT.COM FOR A CURRENT LIST OF PRODUCTS APPLICABLE FOR USE WITH THIS PART.
- COMPONENTS:
 - 1 - 19" EIA RACK PANEL
 - 1 - 35mm x 7.5mm DIN RAIL
 - 2 - CABLE PASS THROUGH GROMMETS
 - 1 - BAG OF (4) #12-24 MOUNT SCREWS
 - 1 - BAG OF (4) M6 METRIC SCREWS
- DIMENSIONS IN PARENTHESES ARE IN METRIC.



CAD FILENAME/LAYERS VO1759EY_DC_02A.PRT

PANDUIT CORP TINLEY PARK, ILLINOIS

19" DIN RAIL PANEL
IABDIN4 CUSTOMER DRAWING

UNLESS OTHERWISE SPECIFIED, DIMENSIONAL TOLERANCES ARE:
 (.XX) ± .03 (.8) (.XXX) ± .01 (.3)
 ANGLES ± THIRD ANGLE PROJECTION

DRAWN BY WWL	MAT'L/COLOR:	SCALE 1:5
DATE 1-26-11	DRAWING NO. VO1759EY_DC	DWG A
CK'D	SIZE	

REV	DATE	BY	CHK	DESCRIPTION	ECN	CHK	CUST	SUP
O2A	1-26-11	WWL		RELEASED TO PRODUCTION	VO1759EY			

X-ON Electronics

Largest Supplier of Electrical and Electronic Components

Click to view similar products for [Racks & Rack Cabinet Accessories](#) category:

Click to view products by [Panduit](#) manufacturer:

Other Similar products are found below :

[M00-PLN](#) [F2424](#) [8351-832-A-24](#) [9104](#) [9105](#) [PLFF2000](#) [H-9163-B](#) [1427C3](#) [HTS10](#) [PC-79](#) [SC10-3A](#) [SC4-28](#) [CG3-340S/12](#) [CP-001BK](#)
[M6123-4007-SS](#) [TS170](#) [LP40](#) [5261304-07](#) [CG3-160G](#) [7112C-PLN](#) [ALUM](#) [CM10](#) [8610-3124-S-26](#) [TS81](#) [7142](#) [GP134](#) [M6125-4007-A-24](#)
[M6127-4007-SS](#) [PBCOVER](#) [512](#) [AEG-4000G](#) [AEG-3000G](#) [HD99](#) [SR2-66A2](#) [FP10B4HP-1](#) [FP52-2](#) [1406-1006-01](#) [29478](#) [TS2535](#) [TS169-](#)
[6](#) [CAC2](#) [HA19-3U](#) [BR-19-10-1](#) [TS180](#) [CG3-ESD](#) [SC11-1](#) [CFS-1.00/2.20](#) [AX6145WM](#) [HEC0800PB](#) [ZC633R](#) [140PLN](#)