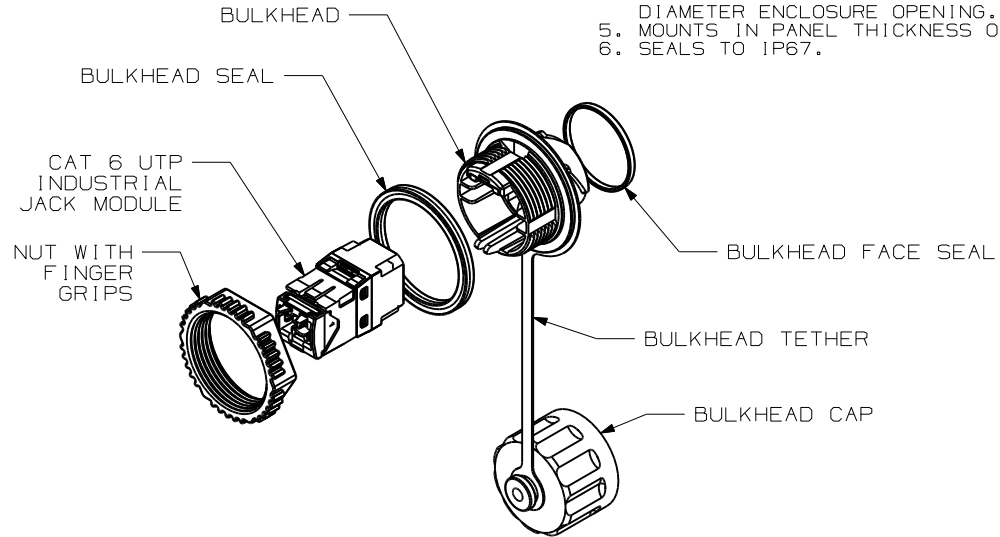
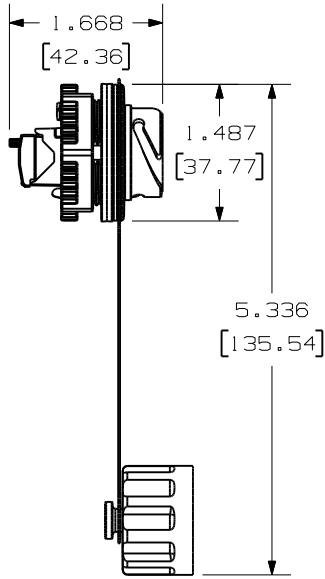


THIS COPY IS PROVIDED ON A RESTRICTED BASIS AND IS NOT TO BE USED IN ANY WAY DETRIMENTAL TO THE INTERESTS OF PANDUIT CORP.

NOTES:

1. SEE CURRENT CATALOG FOR ADDITIONAL P/N SUFFIXES TO INDICATE PACKAGE QUANTITY.
2. ALL MINI-JACK 8 POSITION, 8 WIRE CONNECTOR MODULES ARE UNIVERSAL IN DESIGN. THEY WILL ACCEPT TWO, THREE, OR FOUR PAIR MODULAR PLUGS WITHOUT DAMAGE.
3. DIMENSIONS IN PARENTHESES ARE METRIC.
4. MOUNTS IN COMMON NEMA 1-13/64" (30.5mm) DIAMETER ENCLOSURE OPENING.
5. MOUNTS IN PANEL THICKNESS OF .035-.135"
6. SEALS TO 1P67.



MODEL FILENAME	M01245AU_FULL_ASM_04.PRT	SIZE	A
DRAWING FILENAME	M01245AU_DC77_04A.PRT		

INDUSTRIAL TX6™ CONNECTOR JACK MODULE WITH BULKHEAD CUSTOMER DRAWING

<p>PANDUIT™ CORP. TINLEY PARK, ILL 60477</p>	I.I. NUMBER	
	PRODUCT SPEC	
	WORK INSTRUCTION	
	SCALE	NONE
<p>THIRD ANGLE PROJECTION</p>	<p>ALL DIMENSIONS ARE GIVEN IN INCHES, UNLESS OTHERWISE SPECIFIED. DIMENSIONAL TOLERANCES ARE: (.X) ± (.XXX) ± .010(.25) (.XX) ± .031(.8) ANGLES ±</p>	PART NO. I AEBH6
<p>DRAWN BY: BJN</p> <p>DATE: 10-30-06</p> <p>CHK'D: CEF</p>	<p>REVIEW DRAWING NUMBERS</p>	<p>DRAWING NO. 01245-77</p>

REV	DATE	BY	CHK	DESCRIPTION	ECN	R	CUST	SUP	OTH
R	10-30-06	BJN	CEF	RELEASED TO PRODUCTION	01245-77	CEF	CEF	CEF	

X-ON Electronics

Largest Supplier of Electrical and Electronic Components

Click to view similar products for [Modular Connectors / Ethernet Connectors](#) category:

Click to view products by [Panduit](#) manufacturer:

Other Similar products are found below :

[8949-H88/06BLKA/SN](#) [74441-0010/BKN](#) [MP1010RX-1000](#) [MP44RX-1000](#) [PHJ-4P4C-1-V-4](#) [PHP-6P6C-5](#) [GAX-3-66](#) [GAX-8-62](#) [GDCX-PA-66-50](#) [GDCX-PN-64](#) [GDCX-PN-66](#) [GDCX-PN-66-50](#) [GDLX-A-66](#) [GDLX-N-66](#) [GDLX-S-66](#) [GDLX-S-88K](#) [GDTX-S-88-50](#) [GDX-PA-1010](#) [GLX-N-1010M-BLK](#) [GLX-S-88M-BLK](#) [GMX-N-1010](#) [GMX-S-1010](#) [GMX-S-66](#) [GMX-SMT4-N-88](#) [GPX-2-64](#) [GSGX-N-2-88](#) [GSGX-N-4-88](#) [GSX-NS2-88-3.05](#) [GSX-NS2-88-3.05-50](#) [GSX-NS-88-3.05-50](#) [PT-108A-8C-UL](#) [PT-J951-8C](#) [PTS-J531-8CS-50UL](#) [1-1775629-2](#) [A-2014-0-4](#) [GWLX-S-88-GR](#) [GWLX-S9-88-YG](#) [DC-1021-8-WH-6](#) [1300530003](#) [1324640-4](#) [RJ11FTVC2G](#) [RJ11FTVC2N](#) [RJFTVX2SA1G](#) [132764-001](#) [1413235](#) [MP88X-1000](#) [MPS88RX-5000](#) [E5288-S000K3-L](#) [E5908-15A242-L](#) [155302-001](#)