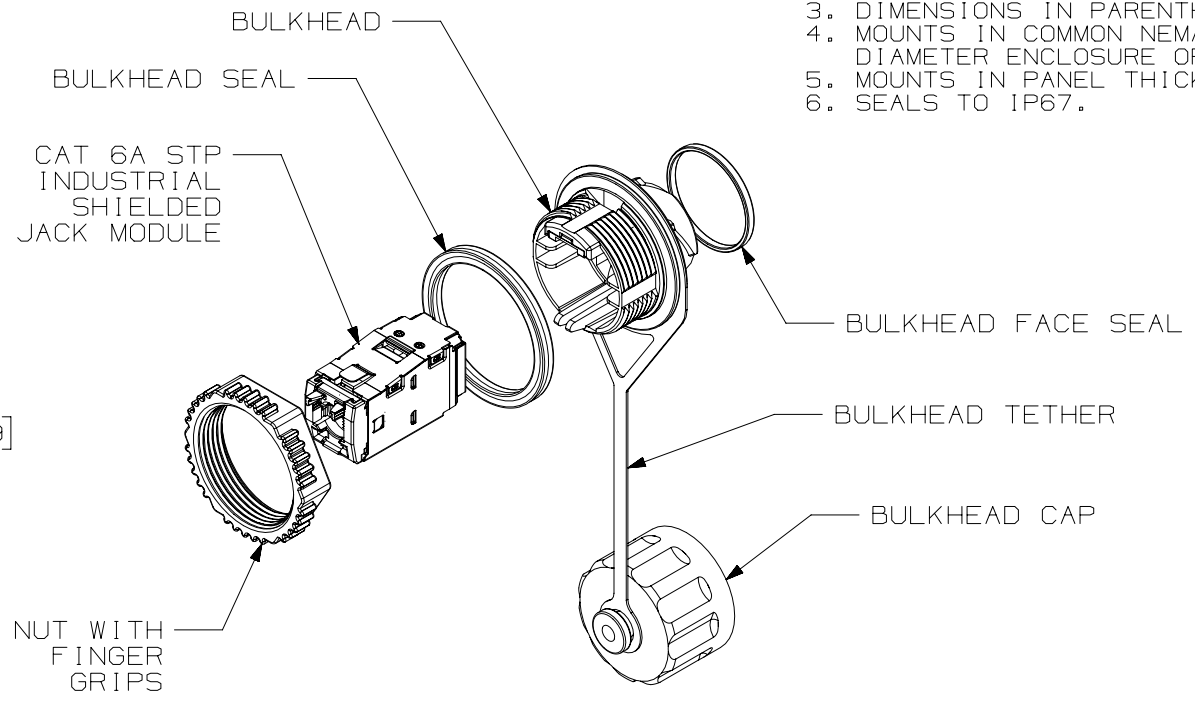
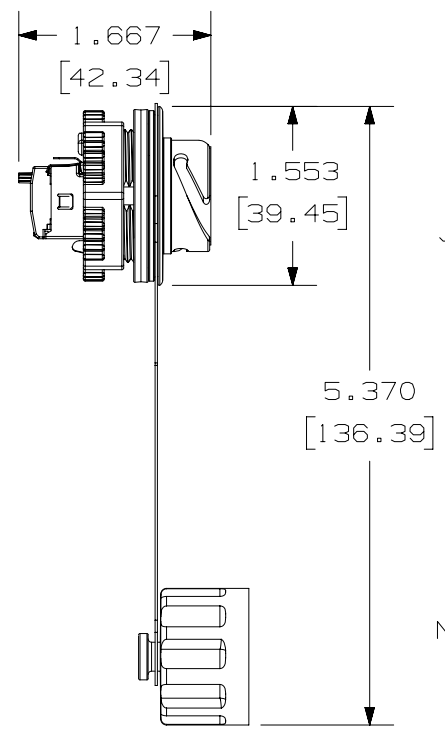


THIS COPY IS PROVIDED ON A RESTRICTED BASIS AND IS NOT TO BE USED IN ANY WAY DETRIMENTAL TO THE INTERESTS OF PANDUIT CORP.

- NOTES:
1. SEE CURRENT CATALOG FOR ADDITIONAL P/N SUFFIXES TO INDICATE PACKAGE QUANTITY.
 2. ALL 8 POSITION, 8 WIRE CONNECTOR MODULES ARE UNIVERSAL IN DESIGN. THEY WILL ACCEPT TWO, THREE, OR FOUR PAIR MODULE PLUGS WITHOUT DAMAGE.
 3. DIMENSIONS IN PARENTHESES ARE METRIC
 4. MOUNTS IN COMMON NEMA 1-13/64" (30.5mm) DIAMETER ENCLOSURE OPENING.
 5. MOUNTS IN PANEL THICKNESS OF .035-.135"
 6. SEALS TO IP67.



PART NUMBER	1AEBH6XS	PRODUCT SPEC/PKG SPEC	N/A
I.I. NUMBER	N/A	WORK INSTRUCTION	N/A
TITLE			
INDUSTRIAL TX6A CONNECTOR SHIELDED JACK MODULE WITH BULKHEAD			
CUSTOMER DRAWING			
ITEM REVISION NAME		00251NAB/00	
DATASET FILE NAME		00251NAB_DC02/00A	
UNLESS OTHERWISE SPECIFIED, DIMENSIONAL TOLERANCES ARE: IN [mm]		MATERIAL:	
.x ± .xx ± .03 [.8]		SEE BOM	
.xxx ± .010 [.3]		DRAWING NUMBER:	
ANGLES ±		00251NAB-02	
		THIRD ANGLE PROJECTION	
DRAWN BY	DATE	CHK	SCALE
BJN	5-5-16	JAV	NONE
SHT 1 OF 1			SIZE
			A

REV	DATE	BY	CHK	APR	DESCRIPTION	ECN
R	7-21-16	BJN	JAV	MBVE	RELEASED TO PRODUCTION	00251NAB-02

D10100DA/14

X-ON Electronics

Largest Supplier of Electrical and Electronic Components

Click to view similar products for [Wire Ducting & Raceways](#) category:

Click to view products by [Panduit](#) manufacturer:

Other Similar products are found below :

[802A-ECSP](#) [923223-000](#) [A0405538](#) [1301170070](#) [1301230153](#) [1302263178](#) [1302263259](#) [1302264375](#) [1301170051](#) [1301180002](#)
[1301230130](#) [1302264137](#) [1302264218](#) [AX102261](#) [AX102652](#) [AX102653](#) [AX102654](#) [AX102657](#) [AX102737](#) [NP24BK](#) [NP265W](#) [NP8LA](#)
[A0405537](#) [TAPC2-2/0-X](#) [43-215](#) [AX100383](#) [TTSL2VC3-5-Y](#) [556029-4](#) [UTPSP3GYY](#) [DD2J](#) [WMPFS](#) [NP720I](#) [WB22543A01](#) [569088-3](#)
[1302264205](#) [1301170059](#) [1302264388](#) [1302263854](#) [1302263180](#) [1301230154](#) [803A-TSP](#) [1301180028](#) [801A-JCSP](#) [801A-LSP](#) [801A-TSP](#)
[802A-LSP](#) [802A-TSP](#) [803A-ECSP](#) [803A-ICSP](#) [3066](#)