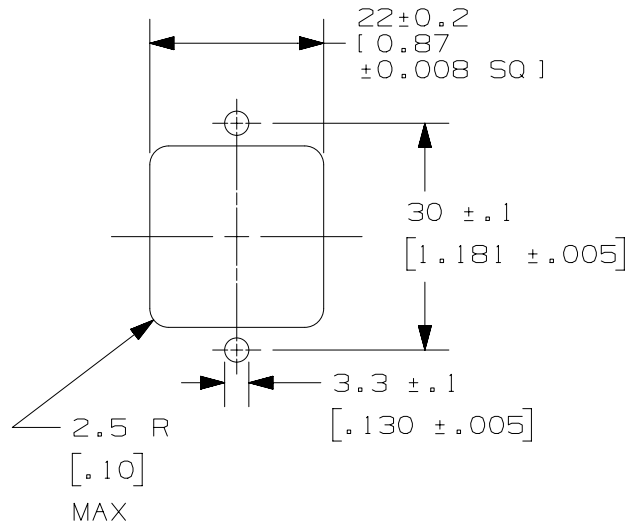
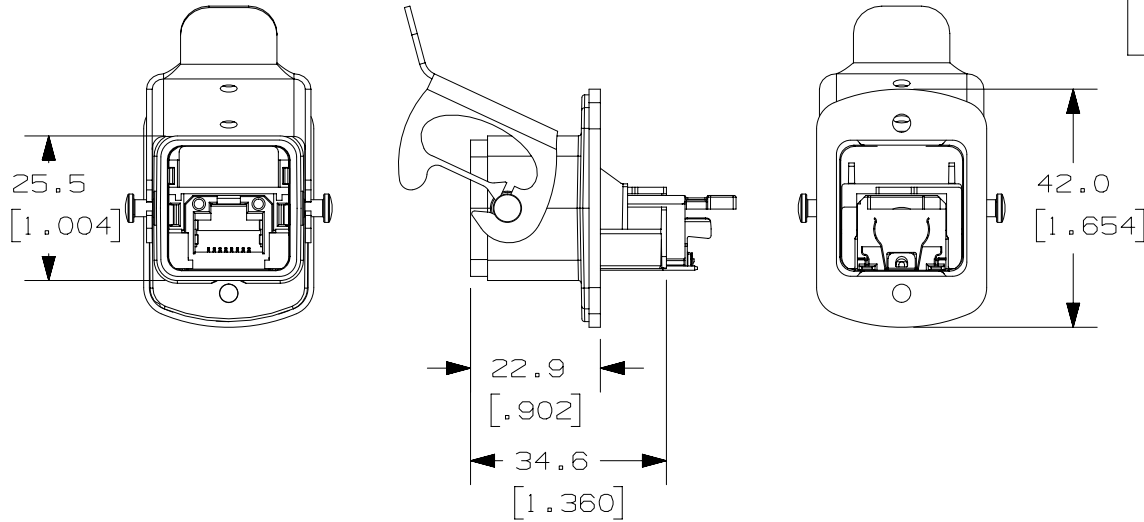
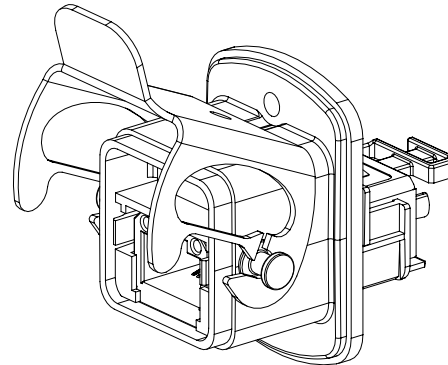


THIS COPY IS PROVIDED ON A RESTRICTED BASIS AND IS NOT TO BE USED IN ANY WAY DETRIMENTAL TO THE INTERESTS OF PANDUIT CORP.



MOUNTING DIMENSIONS
WALL THICKNESS >1mm [0.039"]



ACTUAL SIZE

PART NUMBER	DESCRIPTION	WEIGHT *
1AEBHV56XS	VARIANT 5 BULKHEAD FIXED CONNECTOR - RJ45 CAT6A JACK	0.124LB/EACH [56.4g/EACH]

NOTES:

- VISIT OUR ON-LINE CATALOG AT WWW.PANDUIT.COM FOR A LIST OF CURRENT PARTS APPLICABLE FOR USE WITH THIS PRODUCT.
- CONTENTS:
 - 1 - VARIANT 5 CAT6A RJ45 JACK INSERT
 - 1 - VARIANT 5 FIXED CONNECTOR JACK INSERT ADAPTER
 - 1 - VARIANT 5 FIXED CONNECTOR HOUSING WITH CLAMP
 - 1 - VARIANT 5 FIXED CONNECTOR GASKET SEAL
 - 2 - CABLE TIES (NOT SHOWN ON PRINT)
- MATERIALS:
 - BULKHEAD HOUSING - POWDER COATED DIECAST ALUMINUM
 - GASKET - NBR (NITRILE RUBBER)
 - CLAMP - STAINLESS STEEL
 - ADAPTER - PC UL94V-0
- COMPONENTS TO BE IP67 RATED WHEN FULLY MATED
- OPERATING TEMPERATURE: -40° C TO 70° C
- CONNECTOR IS COMPLIANT WITH IEC 61076-3-106 STANDARDS.
- PRIMARY DIMENSIONS ARE MILLIMETERS.

PART NUMBER		1AEBHV56XS	
TITLE			
VARIANT 5 BULKHEAD FIXED CONNECTOR ASSEMBLY - RJ45 CAT6A JACK		CUSTOMER DRAWING	
ITEM REVISION NAME		00122LAA/00	
DATASET FILE NAME		00122LAA_DC02/00A	
UNLESS OTHERWISE SPECIFIED, DIMENSIONAL TOLERANCES ARE: mm [IN]		MATERIAL:	
.X ± .XX ±		.XXX ± ANGLES ±	
DRAWN BY		DATE	
BJN		6-15-16	
CHK		SCALE	
ROJC		NONE	
DRAWING NUMBER:		00122LAA-02	
SHT 1 OF 1		A	

REV	DATE	BY	CHK	APR	DESCRIPTION	ECN
R	6-15-16	BJN	ROJC	RDE	RELEASED TO PRODUCTION	02055-

D10100DA/14

X-ON Electronics

Largest Supplier of Electrical and Electronic Components

Click to view similar products for [Panduit](#) manufacturer:

Other Similar products are found below :

[CF502550F-Q](#) [PK14-8R-X](#) [PK10-56R-L](#) [PCV-110CY](#) [PSL-SCBD-EI](#) [CBX4AW-AY](#) [CBXS2AW-A](#) [CS25-18SL-CY](#) [CFPFLS2SAW](#) [PK10-10R-X](#) [PUM-925-C0](#) [SICH38-C](#) [SICH25-C](#) [CCS19-S8-X](#) [CCH57-S12-M30](#) [PCMBR-13](#) [PCPA11IW](#) [CRE32](#) [M200X042UPT](#)
[M200X050ACT](#) [M200X080FQT](#) [M200X100ACT](#) [M200X100AIT](#) [CRTW](#) [CSVBP](#) [CT-1000](#) [CT-1004](#) [CT-1104](#) [CT-2550CH](#) [CT-2570CH](#)
[M300X050ACT](#) [M300X100ACT](#) [CT-900HPH](#) [CUFB48BL](#) [CVED32VE](#) [CVED32VEPG](#) [CVED40VEN](#) [CVED40VEPG](#) [CWF400](#)
[CWMPV2340](#) [CWMPV2440](#) [CWMPV3340](#) [CWMPV3440](#) [CWST](#) [MBEH-TLR](#) [MBH-MR](#) [MBH-MR316](#) [MBH-TLR316](#) [MBSH-TR](#) [MBS-MR](#)