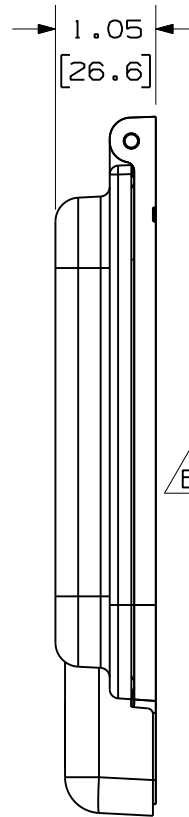
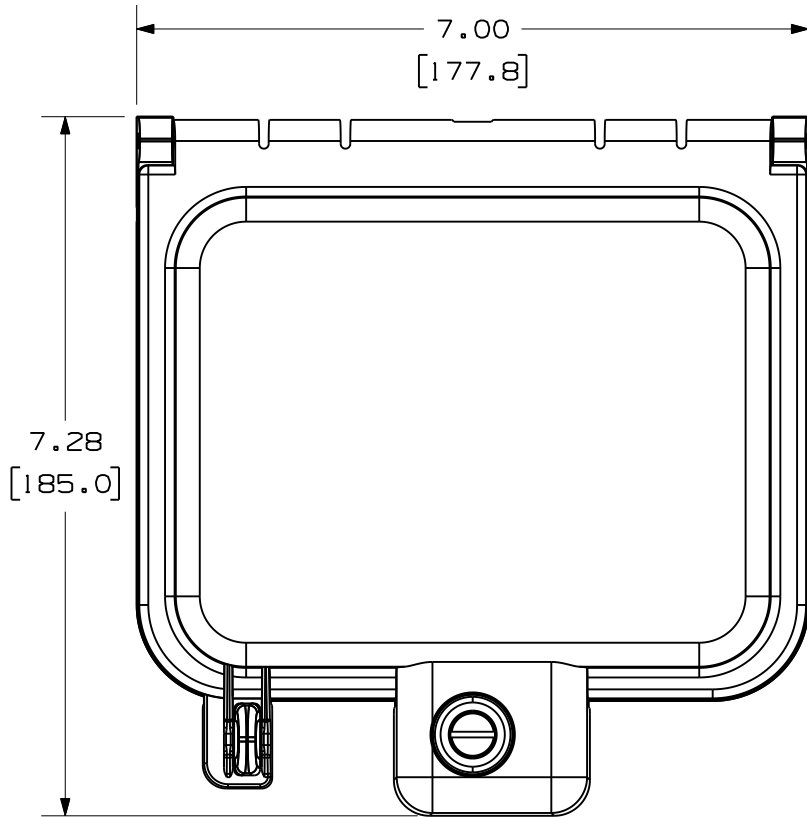


THIS COPY IS PROVIDED ON A RESTRICTED BASIS AND IS NOT TO BE USED IN ANY WAY DETRIMENTAL TO THE INTERESTS OF PANDUIT CORP.

PANDUIT P/N	WEIGHT
I APEWH	1.14 LB/EACH PC (516.5 g/EACH PC)



- NOTES:
1. SEE CURRENT CATALOG FOR ADDITIONAL PART NUMBER SUFFIXES TO INDICATE COLOR AND OR PACKAGE QUANTITY.
 2. SEE CATALOG FOR COMPLETE LIST OF PARTS APPLICABLE FOR USE WITH THIS PART.
 3. DIMENSIONS IN () ARE IN METRIC.
 4. PART INCLUDES:
 - 1- INDUSTRIALNET DATA ACCESS PORT
 - 1- 45mm X 45mm RECEPTACLE FACEPLATE
 - 1- 1/4-20 MOUNTING SCREW KIT (INCLUDES 4 SCREWS AND 4 HEX FLANGE NUTS WITH PAINT PIERCING SERRATIONS)
 5. OPTIONAL LABELS AVAILABLE.

B

RECOMMENDED INSERTS	
2 POSITION 1/3 INSERT	IAPHF2MWH-X
BLANK 1/3 INSERT	IAPHB2MWH-X
BLANK MODULE	IAPCMBWH-X

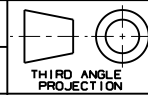
C

MODEL FILENAME	M03063A I / 01	SIZE	A
DRAWING FILENAME	M03063A I _DC / 01B		

INDUSTRIALNET ACCESS PORT
WITH 45mm X 45mm RECEPTACLE
FACEPLATE CUSTOMER DRAWING

PANDUIT
TINLEY PARK, IL 60487

I.T. NUMBER	N/A
PRODUCT SPEC/ PKG SPEC	N/A
ASSY METHOD/ TEST METHOD	N/A
SCALE	NONE



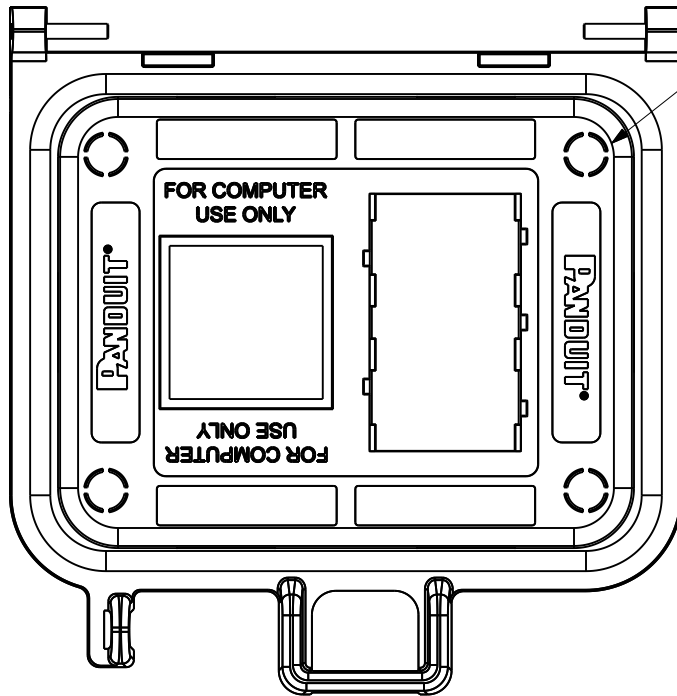
ALL DIMENSIONS ARE GIVEN IN INCHES, UNLESS OTHERWISE SPECIFIED.
DIMENSIONAL TOLERANCES ARE:
(.X) ± (.XXX) ± .010(.3)
(.XX) ± .03(.8) ANGLES ±

DRAWN BY	BJN	MAT'L	BASE: ALUMINUM FACEPLATE: ABS COVER: POLYCARBONATE	PART NO.	I APEWH
DATE	10-1-09			DRAWING NO.	03063-35
CHK'D	JCO				SHEET 1 OF 2

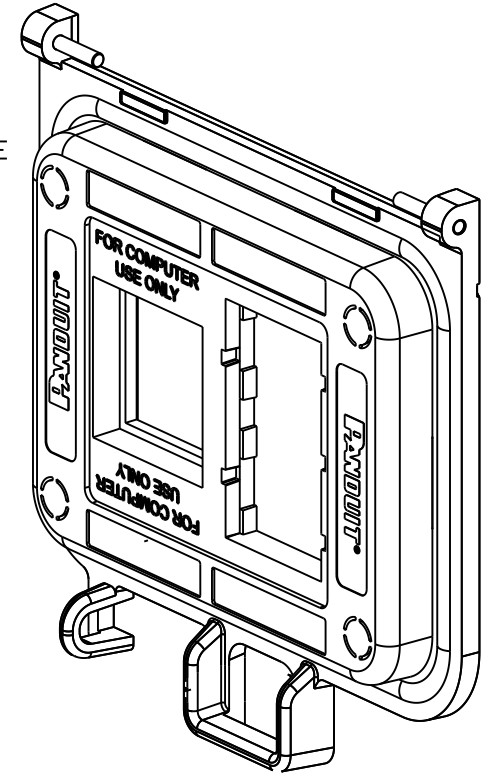
REV	DATE	BY	CHK	DESCRIPTION	ECN	R	CUST	SUP	OTH
2	5-14-10	BJN	JCO	C. ADDED RECOMMENDED INSERTS TABLE	03063-35	JCO	JCO		
1	2-2-10	BJN	JCO	B. ADDED NOTE 5 A. UPDATED CAD MODEL TO REV 01	03063-35	JCO	JCO		
R	10-1-09	BJN	JCO	RELEASED TO PRODUCTION	03063-35	JCO	JCO		

THIS COPY IS PROVIDED ON A RESTRICTED BASIS AND IS NOT TO BE USED IN ANY WAY DETRIMENTAL TO THE INTERESTS OF PANDUIT CORP.

VIEWS SHOWN WITH ALL COMPONENTS INSTALL.
COVER REMOVED FOR CLARITY.



INDUSTRIALNET DATA
ACCESS PORT FACEPLATE



REV	DATE	BY	CHK	DESCRIPTION	ECN	R	CUST	SUP	OTH
2	5-14-10	BJN	JCO	SEE SHEET 1 FOR REVISION HISTORY	03063-35	JCO	JCO		
1	2-2-10	BJN	JCO	SEE SHEET 1 FOR REVISION HISTORY	03063-35	JCO	JCO		
R	10-1-09	BJN	JCO	SEE SHEET 1 FOR REVISION HISTORY	03063-35	JCO	JCO		

MODEL FILENAME M03063A1/01		SIZE A
DRAWING FILENAME M03063A1_DC/01B		
INDUSTRIALNET ACCESS PORT WITH 45mm x 45mm RECEPTACLE FACEPLATE CUSTOMER DRAWING		
PANDUIT TINLEY PARK, IL 60487		I.T. NUMBER N/A
		PRODUCT SPEC/ PKG SPEC N/A
<p>THIRD ANGLE PROJECTION</p>		ASSY METHOD/ TEST METHOD N/A
<p>ALL DIMENSIONS ARE GIVEN IN INCHES, UNLESS OTHERWISE SPECIFIED.</p> <p>DIMENSIONAL TOLERANCES ARE: (.X) ± (.XXX) ± .010(.3) (.XX) ± .03(.8) ANGLES ±</p>		SCALE NONE
DRAWN BY BJN	REVIEW DRAWING NUMBERS	PART NO. I APEWH
DATE 10-1-09	MAT'L SEE SHEET 1 OF 2	DRAWING NO. 03063-35 SHEET 2 OF 2
CHK'D JCO		

X-ON Electronics

Largest Supplier of Electrical and Electronic Components

Click to view similar products for [Cable Mounting & Accessories](#) category:

Click to view products by [Panduit](#) manufacturer:

Other Similar products are found below :

[HP-4N](#) [582603-1](#) [009333-000](#) [727844N003](#) [809090N001](#) [8109](#) [843188-000](#) [843459N001](#) [843460N003](#) [8666](#) [967279N002](#) [GPQC1/0](#) [DB-11](#) [1300830208](#) [1300840039](#) [1300900026](#) [1300990052](#) [1301740005](#) [1301800121](#) [1301800416](#) [1300830184](#) [1300990149](#) [1301580036](#) [1301720103](#) [1301720135](#) [1301720152](#) [1301720157](#) [1301740009](#) [1301770011](#) [1301850553](#) [1301860939](#) [1302000074](#) [1302264431](#) [1337706-2](#) [APA18-AK](#) [MTX6UTPSRC-C](#) [1-787307-1](#) [185491N001](#) [HP-6N](#) [C-202-C](#) [202C221-13-0](#) [OMTM-S10-C0](#) [205339-4](#) [CA7308-000](#) [8S23-75FR-CS8184](#) [2684](#) [9648](#) [3089](#) [988382-000](#) [A0270164](#)