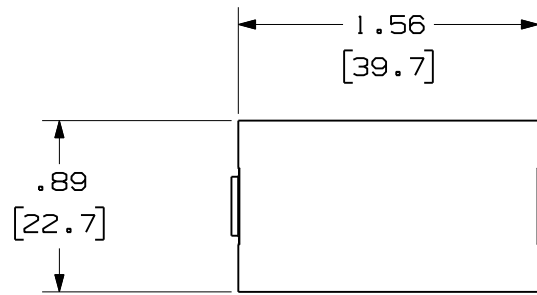
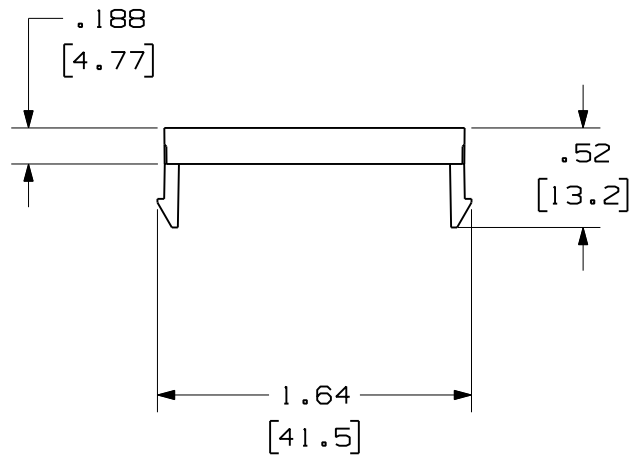


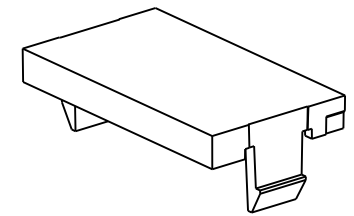
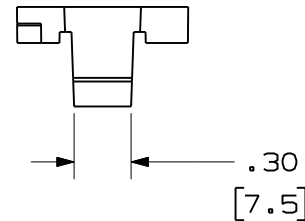
THIS COPY IS PROVIDED ON A RESTRICTED BASIS AND IS NOT TO BE USED IN ANY WAY DETRIMENTAL TO THE INTERESTS OF PANDUIT CORP.



TOP VIEW



FRONT VIEW



PANDUIT PART NO.	WEIGHT
CHB2M**-X	.006 LB/ea
1APHB2MWH-X	(2.61 g/ea)



NOTES:

1. SEE CURRENT CATALOG FOR ADDITIONAL PART NUMBER SUFFIXES TO INDICATE PACKAGE QUANTITY.
2. TO BE USED WITH MINI-COM BEZELS.
3. DIMENSIONS IN PARENTHESES ARE IN METRIC.

MODEL FILENAME	SIZE
DRAWING FILENAME	A
D35544CF_DC30/00B	



1/3 SIZE BLANK INSERT
CUSTOMER DRAWING

PANDUIT[®]
TINLEY PARK, IL 60487

I.I. NUMBER
PRODUCT SPEC/ PKG SPEC
ASSY METHOD/ TEST METHOD
SCALE FULL
PART NO. SEE TABLE
DRAWING NO. 35544-30

THIRD ANGLE PROJECTION	ALL DIMENSIONS ARE GIVEN IN INCHES, UNLESS OTHERWISE SPECIFIED. DIMENSIONAL TOLERANCES ARE: (.X) ± (.XXX) ±.010(.3) (.XX) ±.03(.8) ANGLES ±
DRAWN BY RCA	REVIEW DRAWING NUMBERS
DATE 2-07-97	MAT'L ABS
CHK'D CEF	

REV	DATE	BY	CHK	DESCRIPTION	ECN	R	CUST	SUP	OTH
2	6-6-11	BJN	JCO	B. ADDED SUPPLEMENTAL P/N 1APHB2MWH-X	35544-30	JCO	JCO		
1	9-11-97	RCA	CEF	A. REV'D DWG. TITLE WAS 1/3 BLANK INSERT.	35544-30	CEF	CEF		
R	2-07-97	RCA	CEF	RELEASED TO PRODUCTION	35544-30	CEF			

X-ON Electronics

Largest Supplier of Electrical and Electronic Components

Click to view similar products for [Cable Mounting & Accessories](#) category:

Click to view products by [Panduit](#) manufacturer:

Other Similar products are found below :

[HP-4N](#) [582603-1](#) [009333-000](#) [727844N003](#) [809090N001](#) [8109](#) [843188-000](#) [843459N001](#) [843460N003](#) [8666](#) [967279N002](#) [GPQC1/0](#) [DB-](#)
[11](#) [1300830208](#) [1300840039](#) [1300900026](#) [1300990052](#) [1301740005](#) [1301800121](#) [1301800416](#) [1300830184](#) [1300990149](#) [1301580036](#)
[1301720103](#) [1301720135](#) [1301720152](#) [1301720157](#) [1301740009](#) [1301770011](#) [1301850553](#) [1301860939](#) [1302000074](#) [1302264431](#)
[1337706-2](#) [APA18-AK](#) [MTX6UTPSRC-C](#) [1-787307-1](#) [185491N001](#) [HP-6N](#) [C-202-C](#) [202C221-13-0](#) [OMTM-S10-C0](#) [205339-4](#) [CA7308-](#)
[000](#) [8S23-75FR-CS8184](#) [2684](#) [9648](#) [3089](#) [988382-000](#) [A0270164](#)