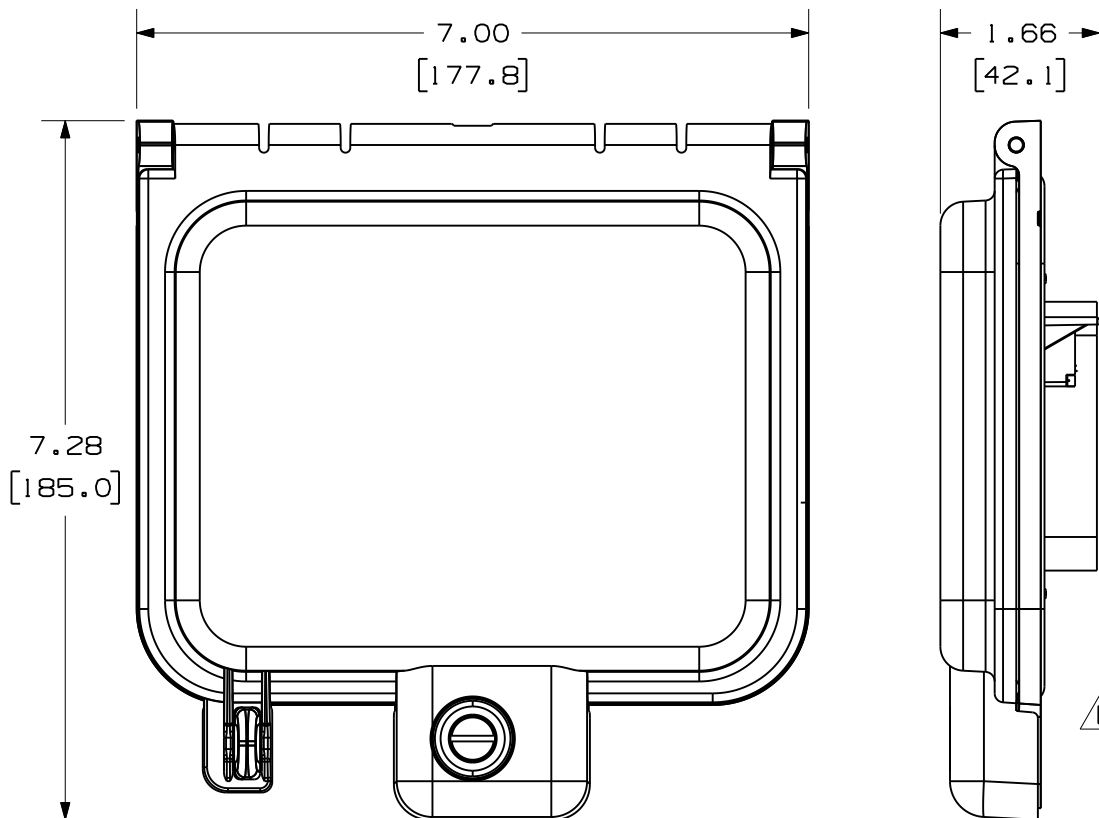


THIS COPY IS PROVIDED ON A RESTRICTED BASIS AND IS NOT TO BE USED IN ANY WAY DETRIMENTAL TO THE INTERESTS OF PANDUIT CORP.

PANDUIT P/N	WEIGHT
1APNG5EWH	1.52 LB/EACH PC (691.2 g/EACH PC)



NOTES:

- SEE CURRENT CATALOG FOR ADDITIONAL PART NUMBER SUFFIXES TO INDICATE COLOR AND OR PACKAGE QUANTITY.
- SEE CATALOG FOR COMPLETE LIST OF PARTS APPLICABLE FOR USE WITH THIS PART.
- DIMENSIONS IN () ARE IN METRIC.
- PART INCLUDES:
 - 1- INDUSTRIALNET DATA ACCESS PORT △ B
 - 1- NORTH AMERICAN FACEPLATE
 - 1- 1/4-20 MOUNTING SCREW KIT (INCLUDES 4 SCREWS AND 4 HEX FLANGE NUTS WITH PAINT PIERCING SERRATIONS)
 - 1- #6-32 OUTLET MOUNTING SCREW KIT (INCLUDES 2 #6-32 TRILOBULAR SCREWS)
 - 1- 15 AMP GFCI DUPLEX RECEPTACLE
 - 2- PANDUIT 1/3 FLAT BLANK INSERT (1APHB2MWH-X)
 - 1- PANDUIT 1/3 FLAT 2 POSITION INSERT (1APHF2MWH-X)
 - 1- PANDUIT CATEGORY 5E RJ45 TO RJ45 COUPLER MODULE (1AECC5EBL)
 - 1- PANDUIT MINI-COM BLANK MODULE (1APCMBWH-X)
- OPTIONAL LABELS AVAILABLE △ E

△ F

△ E

△ G

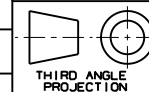
RECOMMENDED INSERTS	
2 POSITION 1/3 INSERT	1APHF2MWH-X
BLANK 1/3 INSERT	1APHB2MWH-X
BLANK MODULE	1APCMBWH-X

MODEL FILENAME M03063AE/03 △ A

DRAWING FILENAME M03063AE_DC/03B A

INDUSTRIALNET ACCESS PORT WITH GFCI RECEPTACLE AND CATEGORY 5E COUPLER
CUSTOMER DRAWING

PANDUIT
TINLEY PARK, IL 60487



ALL DIMENSIONS ARE GIVEN IN INCHES, UNLESS OTHERWISE SPECIFIED,
DIMENSIONAL TOLERANCES ARE:
(.X) ± (.XXX) ± .010(.3)
(.XX) ± .031(.8) ANGLES ±

DRAWN BY JsP

DATE 2-4-09

CHK'D JCO

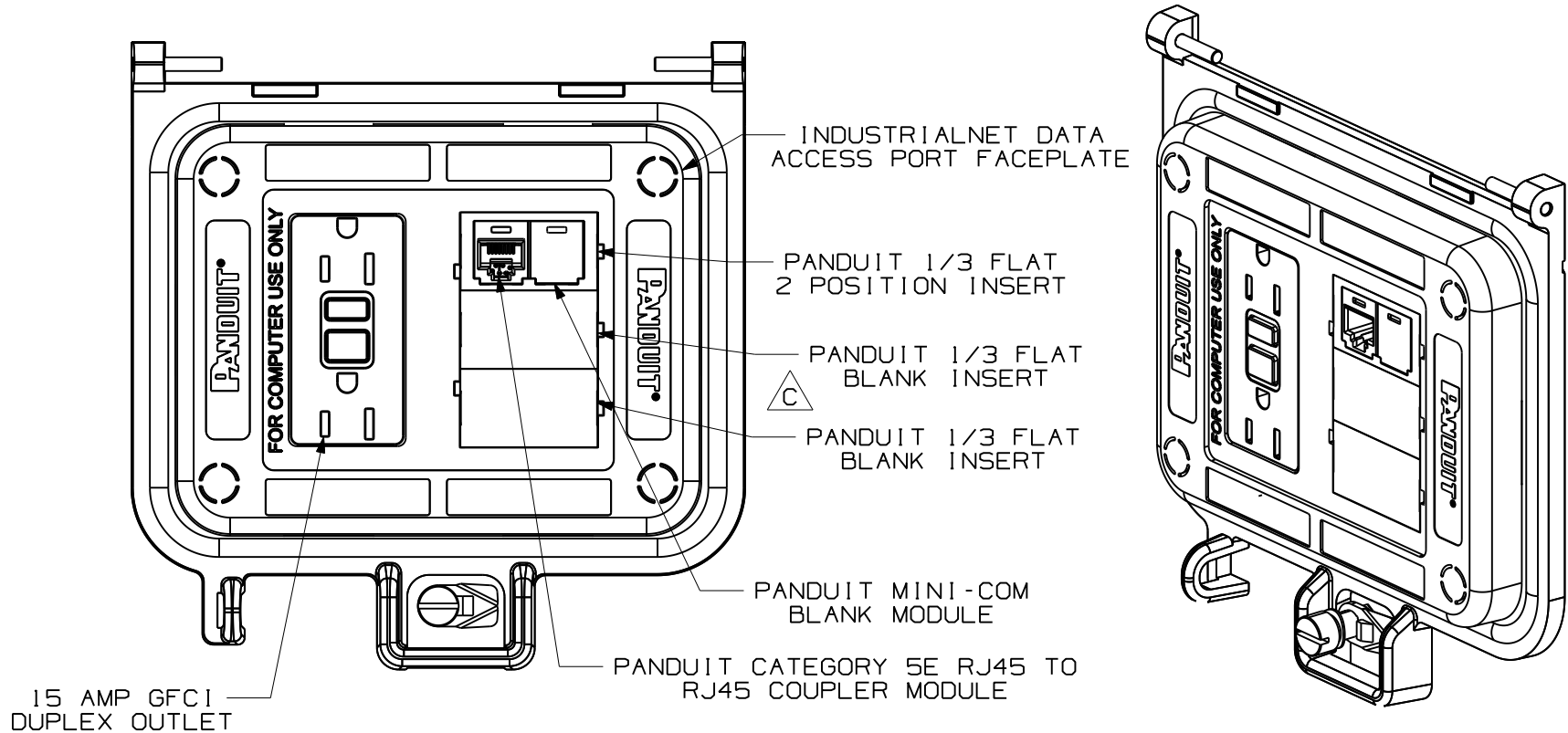
MAT'L
BASE: ALUMINUM
FACEPLATE: ABS
COVER: POLYCARBONATE

I.I. NUMBER	N/A
PRODUCT SPEC/ PKG SPEC	N/A
ASSY METHOD/ TEST METHOD	N/A
SCALE	NONE
PART NO.	1APNG5EWH
DRAWING NO.	03063-30 SHEET 1 OF 2

REV	DATE	BY	CHK	DESCRIPTION	ECN	R	CUST	SUP	OTH
3	5-17-10	BJN	JCO	G. ADDED RECOMMENDED INSERTS TABLE F. REVD P/N'S IN NOTE 4	03063-30	JCO	JCO		
2	1-21-10	BJN	JCO	E. ADDED NOTE 5 D. UPDATED CAD MODEL TO REV 03	03063-30	JCO	JCO		
1	9-30-09	BJN	JCO	C. RELABELED 1/3 FLAT INSERTS B. REMVD "FACEPLATE" A. UPDATED CAD MODEL TO REV 02	03063-30	JCO	JCO		
R	2-4-09	JsP	JCO	RELEASED TO PRODUCTION	03063-30	JCO	JCO		

THIS COPY IS PROVIDED ON A RESTRICTED BASIS AND IS NOT TO BE USED IN ANY WAY DETRIMENTAL TO THE INTERESTS OF PANDUIT CORP.

VIEWS SHOWN WITH ALL COMPONENTS INSTALL.
COVER REMOVED FOR CLARITY.



MODEL FILENAME	M03063AE/03	SIZE	A
DRAWING FILENAME	M03063AE_DC/03B		

INDUSTRIALNET ACCESS PORT WITH GFCI RECEPTACLE AND CATEGORY 5E COUPLER
CUSTOMER DRAWING

REV	DATE	BY	CHK	DESCRIPTION	ECN	R	CUST	SUP	OTH
3	5-17-10	BJN	JCO	SEE SHEET 1 FOR REVISION HISTORY	03063-30	JCO	JCO		
2	1-21-10	BJN	JCO	SEE SHEET 1 FOR REVISION HISTORY	03063-30	JCO	JCO		
1	9-30-09	BJN	JCO	SEE SHEET 1 FOR REVISION HISTORY	03063-30	JCO	JCO		
R	2-4-09	JsP	JCO	RELEASED TO PRODUCTION	03063-30	JCO	JCO		

 TINLEY PARK, IL 60487	I.I. NUMBER N/A
	PRODUCT SPEC/ PKG SPEC N/A
ALL DIMENSIONS ARE GIVEN IN INCHES, UNLESS OTHERWISE SPECIFIED. DIMENSIONAL TOLERANCES ARE: (.X) ± (.XXX) ± .010(.3) (.XX) ± .031(.8) ANGLES ±	ASSY METHOD/ TEST METHOD N/A
THIRD ANGLE PROJECTION	SCALE NONE
DRAWN BY JsP	PART NO. I APNG5EWH
DATE 2-4-09	DRAWING NO. 03063-30 SHEET 2 OF 2
CHECK'D JCO	REVIEW DRAWING NUMBERS SEE SHEET 1 OF 2

X-ON Electronics

Largest Supplier of Electrical and Electronic Components

Click to view similar products for [Modular Connectors / Ethernet Connectors](#) category:

Click to view products by [Panduit](#) manufacturer:

Other Similar products are found below :

[8949-H88/06BLKA/SN](#) [74441-0010/BKN](#) [MP1010RX-1000](#) [MP44RX-1000](#) [PHP-6P6C-5](#) [GAX-3-66](#) [GAX-8-62](#) [GDCX-PA-66-50](#) [GDCX-PN-64](#) [GDCX-PN-66](#) [GDCX-PN-66-50](#) [GDLX-A-66](#) [GDLX-N-66](#) [GDLX-S-66](#) [GDLX-S-88K](#) [GDTX-S-88-50](#) [GDX-PA-1010](#) [GLX-N-1010M-BLK](#) [GLX-S-88M-BLK](#) [GMX-N-1010](#) [GMX-S-1010](#) [GMX-S-66](#) [GMX-SMT4-N-88](#) [GPX-2-64](#) [GSGX-N-2-88](#) [GSGX-N-4-88](#) [GSX-NS2-88-3.05](#) [GSX-NS2-88-3.05-50](#) [GSX-NS-88-3.05-50](#) [PT-108A-8C-UL](#) [PT-J951-8C](#) [PTS-J531-8CS-50UL](#) [1-1775629-2](#) [A-2014-0-4](#) [GWLX-S-88-GR](#) [GWLX-S9-88-YG](#) [DC-1021-8-WH-6](#) [1300530003](#) [1324640-4](#) [RJ11FTVC2G](#) [RJ11FTVC2N](#) [RJFTVX2SA1G](#) [132764-001](#) [1413235](#) [MP88X-1000](#) [MPS88RX-5000](#) [E5288-S000K3-L](#) [E5908-15A242-L](#) [155302-001](#) [AX100653](#)