

# IndustrialNet™ Single Service Ports

## specifications

Industrial connectors shall be applicable for use in light-manufacturing or industrial environments. Industrial connectors shall be prepackaged with Mini-Com® modules for both ethernet and AV solutions that meet/exceed the ANSI/TIA-568.2-D standards of performance. The connectors shall fit in a standard 30.5mm punch hole, wall thickness 1mm - 7mm, and shall have an anti-rotation feature. Termination to a 4-pair 22-26 AWG 100 ohm twisted pair cable shall not require the use of a punchdown tool.



## technical information

<b>IEC compliance:</b>	Connector meets IEC 60603-7 specifications
<b>FCC and ANSI/TIA compliance:</b>	Connector meets ANSI/TIA-1096-A; contacts plated with 50 microinches of gold for superior performance
<b>IP compliance:</b>	Single Service Port rated IP20 with standard connectors, rated IP40 with shuttered connectors
<b>RoHS compliancy status:</b>	Compliant
<b>PoE compliance:</b>	Meets IEEE 802.3af and IEEE 802.3at for PoE applications
<b>Material:</b>	Single Service Port is constructed of black polycarbonate plastic, UL94 V-0/5VA rated
<b>Temperature rating:</b>	-4°F to 158°F (-20°C to 70°C) during operation
<b>Electrical/mechanical performance:</b>	Mechanical interface meets all ODVA Ethernet/IP* mechanical performance requirements
<b>Packaging:</b>	SSP Adapter and Mini-Com® module - includes adapter mounting nut
<b>Conductor termination range:</b>	Wire cap compatible with 22 – 26 AWG solid or stranded cable with conductor insulation diameters of 0.060 in. (1.5mm) max. and overall cable O.D. 0.200 in. (5.1mm) to 0.330 in. (8.4mm)

## key features and benefits

<b>Standard 30.5mm punch fitting</b>	Fits into optional faceplate as well as standard IEC 1-13/64 in. (30.5mm) diameter mounting hole
<b>Mini-Com® connectivity</b>	Industry leading copper connectivity provides top end connections
<b>Robust construction</b>	Includes contact plated with 50 microinches of gold to support reliable, error-free data transmission
<b>Connector mounting nut</b>	Holds the Single Service Port safely and securely from inside of the enclosure
<b>RJ45 interface</b>	Offers industry standard solution familiar to end users which speeds deployment
<b>Patented Giga-TX™ Technology</b>	Connector with TX™ Style termination optimizes performance by reducing conductor untwist to less than 1/8 in.
<b>Universal wiring scheme</b>	Provides color coded termination cap for T568A and T568B wiring schemes
<b>No punchdown tool required</b>	Terminates with standard adjustable slipjaw pliers or optional termination tool (EGJT); saves money on purchase of new tools

## applications

IndustrialNet™ Single Service Ports provide an ideal solution to support industrial Ethernet from the Local Area Network (LAN) based support offices to the processing devices. Innovative design features provide a secure, reliable connection for superior data transmission in temperature extremes and in applications with vibration. High temperature resilience of up to 85°C storage and 70°C

operating offers reliable connection in manufacturing facilities such as metal processing, welding, and chemical batch processing where high temperatures are normal. In automotive/transportation panels and vehicles where vibration is a concern, the IndustrialNet™ Single Service Ports offer quick access to data in light-industrial applications.

### IndustrialNet™ Single Service Port (SSP)

**Blank SSP:** ISSP2BL

### IndustrialNet™ Single Service Port (SSP) with Mini-Com® Copper Jack Modules

<b>Cat 6A STP:</b>	ISSP2SJ6XNNBL
<b>Cat 6A UTP:</b>	ISSP2UJ6XNNBL
<b>Cat 6A UTP Coupler:</b>	ISSP2UC6XNNBL
<b>Cat 6A STP Shuttered:</b>	ISSP2SJ6XSNNBL
<b>Cat 6 STP:</b>	ISSP2SJ6NNBL
<b>Cat 6 UTP:</b>	ISSP2UJ6NNBL
<b>Cat 6 UTP Coupler:</b>	ISSP2UC6NNBL
<b>Cat 6 STP Shuttered:</b>	ISSP2SJ6SNBL
<b>Cat 5e STP:</b>	ISSP2SJ5ENNBL
<b>Cat 5e UTP:</b>	ISSP2UJ5ENNBL
<b>Cat 5e UTP Coupler:</b>	ISSP2UC5ENNBL
<b>Cat 5e STP Shuttered:</b>	ISSP2SJ5ESNBL
<b>USB A-A Coupler:</b>	ISSP2UC1NNBL
<b>Cat 6 UTP Corrosive Resistant:</b>	ISSP2UJ6CNBL
<b>3.5mm Stereo Connector:</b>	ISSP2UC2NNBL

### IndustrialNet™ Category 6A Shielded 600 V-Rated Patch Cords

**CM/CMX:** ^ISTPH6X1M\*\*

### IndustrialNet™ Category 5e Shielded 600 V-Rated Patch Cords

**CM/CMX:** ^ISTPHCH1M\*\*

### IndustrialNet™ Category 5e SF/UTP Stranded Copper Cable

**CM 4-pair:** ISFCH5C04A\*\*-XG

### IndustrialNet™ Category 6A SF/UTP Stranded Copper Cable

**CM 4-pair:** ISFCH6X04A\*\*-XG

### IndustrialNet™ Stainless Steel Faceplates

**Single gang:** IAFFP1

**Double gang:** IAFFP2-2G

### Tools and Accessories

**Termination tool (optional):** EGJT or TGJT

**Wire snipping tool:** CWST

**Wire snipping tool:** CJAST

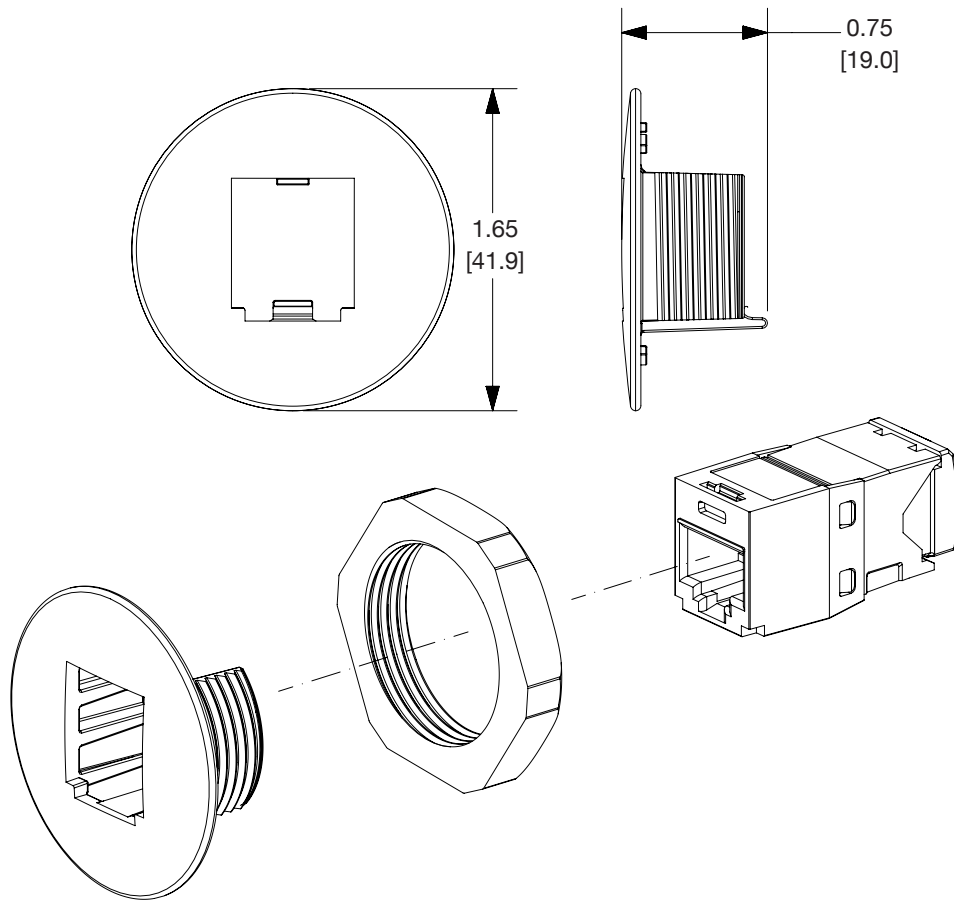
**Greenlee 30.5mm panel punch:** 783310016687

**Greenlee Nibbler panel punch feature:** 783310265344

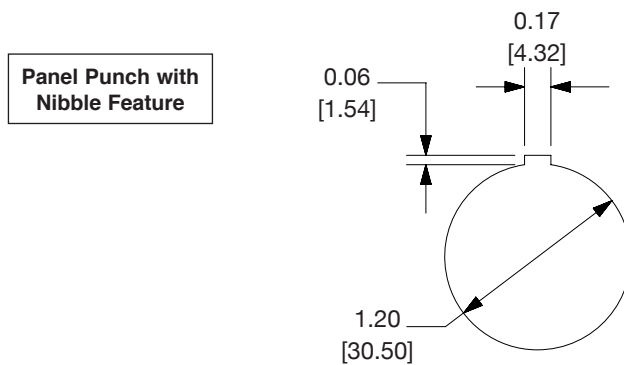
^For other lengths, change the length in the part number, to the desired length (0.3M, 0.6M, 1M, 2M, 3M, 4M, 5M, 7M, 10M, 15M, or 20M)

\*\*To designate color, add suffix TL (Teal) or BL (Black).

## dimensions



## single service port cutout opening requirements:



Dimensions are in inches. [Dimensions in brackets are metric].

### WORLDWIDE SUBSIDIARIES AND SALES OFFICES

PANDUIT US/CANADA  
Phone: 800.777.3300

PANDUIT EUROPE LTD.  
London, UK  
Phone: 44.20.8601.7200

PANDUIT SINGAPORE PTE. LTD.  
Republic of Singapore  
Phone: 65.6305.7575

PANDUIT JAPAN  
Tokyo, Japan  
Phone: 81.3.6863.6000

PANDUIT LATIN AMERICA  
Guadalajara, Mexico  
Phone: 52.33.3777.6000

PANDUIT AUSTRALIA PTY. LTD.  
Victoria, Australia  
Phone: 61.3.9794.9020

For a copy of Panduit product warranties, log on to [www.panduit.com/warranty](http://www.panduit.com/warranty)

For more information  
Visit us at [www.panduit.com](http://www.panduit.com)

Contact Customer Service by email: [cs@panduit.com](mailto:cs@panduit.com)  
or by phone: 800.777.3300

# PANDUIT®

© 2019 Panduit Corp.  
ALL RIGHTS RESERVED.  
Printed in the U.S.A.  
COSP467--WW-ENG  
6/2019

## X-ON Electronics

Largest Supplier of Electrical and Electronic Components

*Click to view similar products for [Modular Connectors / Ethernet Connectors](#) category:*

*Click to view products by [Panduit](#) manufacturer:*

Other Similar products are found below :

[8949-H88/06BLKA/SN](#) [74441-0010/BKN](#) [MP1010RX-1000](#) [MP44RX-1000](#) [PHP-6P6C-5](#) [GAX-3-66](#) [GAX-8-62](#) [GDCX-PA-66-50](#) [GDCX-PN-64](#) [GDCX-PN-66](#) [GDCX-PN-66-50](#) [GDLX-A-66](#) [GDLX-N-66](#) [GDLX-S-66](#) [GDLX-S-88K](#) [GDTX-S-88-50](#) [GDX-PA-1010](#) [GLX-N-1010M-BLK](#) [GLX-S-88M-BLK](#) [GMX-N-1010](#) [GMX-S-1010](#) [GMX-S-66](#) [GMX-SMT4-N-88](#) [GPX-2-64](#) [GSGX-N-2-88](#) [GSGX-N-4-88](#) [GSX-NS2-88-3.05](#) [GSX-NS2-88-3.05-50](#) [GSX-NS-88-3.05-50](#) [PT-108A-8C-UL](#) [PT-J951-8C](#) [PTS-J531-8CS-50UL](#) [1-1775629-2](#) [A-2014-0-4](#) [GWLX-S-88-GR](#) [GWLX-S9-88-YG](#) [DC-1021-8-WH-6](#) [1300530003](#) [1324640-4](#) [RJ11FTVC2G](#) [RJ11FTVC2N](#) [RJFTVX2SA1G](#) [132764-001](#) [1413235](#) [MP88X-1000](#) [MPS88RX-5000](#) [E5288-S000K3-L](#) [E5908-15A242-L](#) [155302-001](#) [AX100653](#)