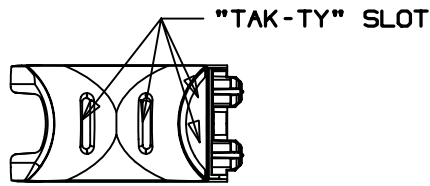
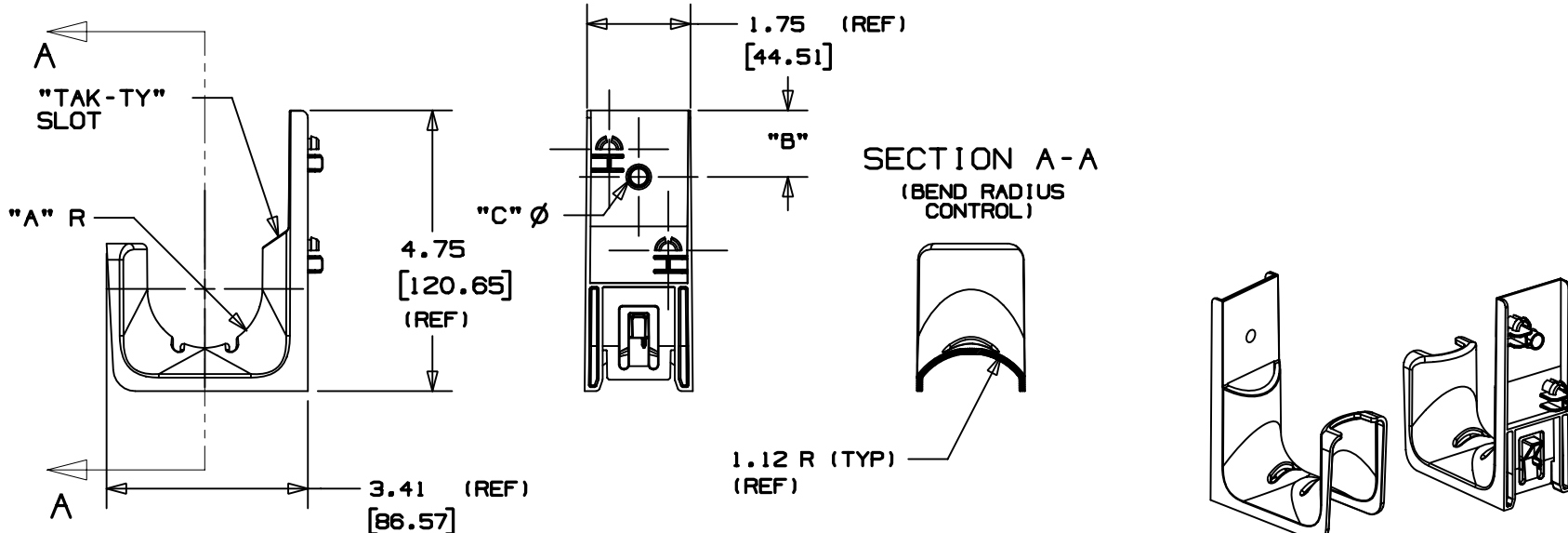


THIS COPY IS PROVIDED ON A RESTRICTED BASIS AND IS NOT TO BE USED IN ANY WAY DETRIMENTAL TO THE INTERESTS OF PANDUIT CORP.



PANDUIT PART NO. *	DIMENSIONS			PRODUCT WORKS WITH PANDUIT PART NUMBERS	WEIGHT lbs. / 10 (g) / pcs.
	"A" (REF)	"B" (REF)	"C"		
JMJH2-___	1.00 (25.4)	1.125 (28.57)	0.280 (7.11)	JMCM25-1, JMCM25-3, JMCM (SEE NOTE 4)	1.01 (456.86)



**NOTES:**

- SEE CURRENT PRICE SHEET FOR PART NUMBER SUFFIX DESIGNATION FOR PACKAGE SIZE AND PRODUCT COLOR.
- PRODUCT IS DESIGNED TO SUPPORT A MAXIMUM 2.0" DIAMETER BUNDLE. RECOMMENDED MAXIMUM STATIC LOAD: 30.0 lbs.
- PRODUCT INCORPORATE FEATURES ALLOWING USER TO SECURE CABLE BUNDLES IN JMOD PRODUCT WITH "TAK-TY" CABLE TIES UP TO 3/4" WIDE.
- JMJH2 INCORPORATES FEATURES THAT ALLOW FOR RAPID INSTALLATION TO THE FOLLOWING PANDUIT ACCESSORIES FOR A VARIETY OF MOUNTING CONFIGURATIONS:
  - JMCM25-1 (CABLE MANAGEMENT ANGLE BRACKET-SINGLE LEVEL) (RIVET ASSEMBLIES AVAILABLE FOR A VARIETY OF APPLICATIONS)
  - JMCM25-3 (CABLE MANAGEMENT ANGLE BRACKET-THREE LEVEL) (RIVET ASSEMBLIES AVAILABLE FOR A VARIETY OF APPLICATIONS)
  - JMCM (CABLE MANAGEMENT CHAINING BRACKET EXTENDER) (DEVICE IS USED TO ADD UP-TO 2 ADDITIONAL LEVELS OF CABLE MANAGEMENT TO JMCM25-1)

DIMENSIONS IN BRACKETS ARE METRIC [ mm ]	
CAD FILENAME/LAYERS: G02672DC_PB_JMJH2_00	
<b>PANDUIT</b> CORP. TINLEY PARK, ILLINOIS	
(JMCM25-___) JMOD J HOOK	
UNLESS OTHERWISE SPECIFIED, DIMENSIONAL TOLERANCES ARE: (.X) ±0.05 (1.3) (.XX) ±0.010 (0.25) (.XX) ±0.02 (0.5) ANGLES ± 5°	UNLESS OTHERWISE SPECIFIED, ALL DIMENSIONS ARE GIVEN IN INCHES, THIRD ANGLE PROJECTION.
DRAWN BY: JAD	MAT'L: NYLON 6/6
DATE: 4/1/03	SCALE: NONE
GR'D	DRAWING NO. GB2672DC
	DWG SIZE: A

REV	DATE	BY	CHK	DESCRIPTION	ECN - R	CUST	SUP
R	4/1/03	JAD		INITIAL RELEASE	GB2672DC	R	

## X-ON Electronics

Largest Supplier of Electrical and Electronic Components

*Click to view similar products for [Cable Mounting & Accessories](#) category:*

*Click to view products by [Panduit](#) manufacturer:*

Other Similar products are found below :

[582603-1](#) [009333-000](#) [727844N003](#) [747](#) [809090N001](#) [843188-000](#) [8666](#) [967279N002](#) [DB-11](#) [1300840039](#) [1300900096](#) [1301800416](#)  
[1302264450](#) [1300830184](#) [1300830729](#) [1300900039](#) [1301580036](#) [1301850553](#) [1301860939](#) [1302000074](#) [1302261315](#) [1302264431](#)  
[1337706-2](#) [APA18-AK](#) [1724](#) [1-787307-1](#) [185491N001](#) [1868](#) [HP-6N](#) [C-202-C](#) [202C221-13-0](#) [CA7308-000](#) [8S23-75FR-CS8184](#) [2684](#) [9648](#)  
[3089](#) [988382-000](#) [A72821-000](#) [AA401](#) [173506-000](#) [1823](#) [202C292-13-0](#) [202C302-13-0](#) [2109](#) [300625](#) [3330](#) [3412](#) [356247-1](#) [M9142](#)  
[M9143](#)