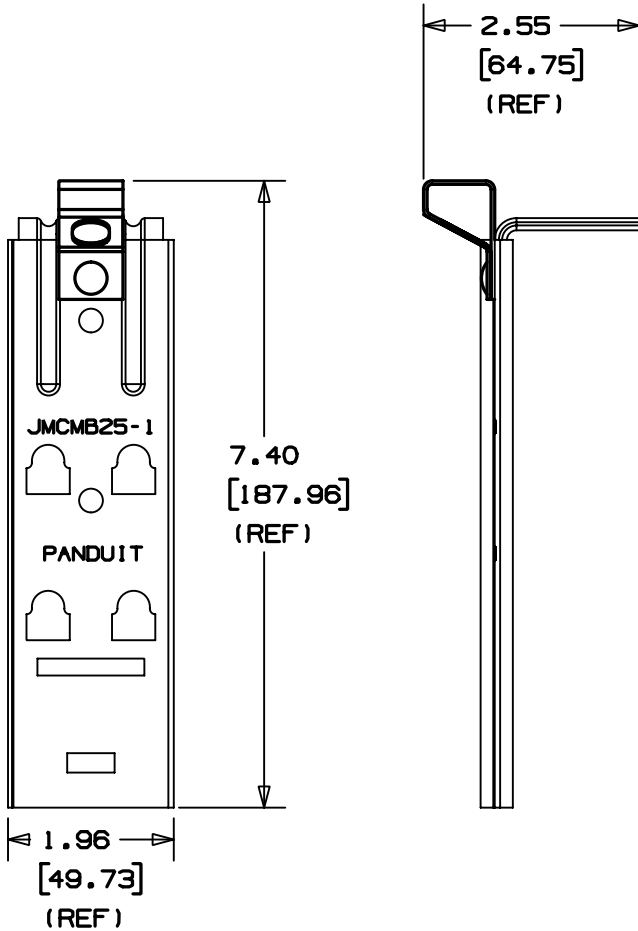
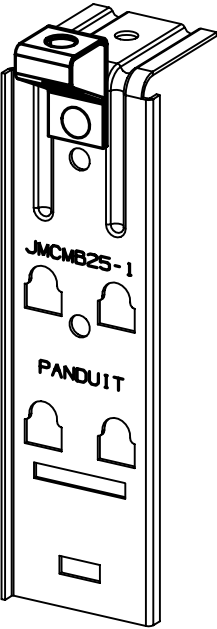


THIS COPY IS PROVIDED ON A RESTRICTED BASIS AND IS NOT TO BE USED IN ANY WAY DETRIMENTAL TO THE INTERESTS OF PANDUIT CORP.

| PANDUIT PART NO. | PRODUCT WORKS WITH PANDUIT PART NUMBERS: | APPLICATION SURFACE: | WEIGHT lbs / 10 (g) / pcs. |
|------------------|---------------------------------------------------------|---------------------------|----------------------------|
| JMTRB38-1-- | JMJH2 JMOD CABLE SUPPORT JM CB JMOD CHAINING BRACKET | 1/4" or 3/8" THREADED ROD | 2.57 (1166) |



NOTES:

- SEE CURRENT PRICE SHEET FOR PART NUMBER DESIGNATION, PACKAGE SIZE OPTIONS AND COLOR.
- TWO NUTS APPROPRIATE FOR THE THREADED ROD USED ARE REQUIRED TO COMPLETE A RIGID INSTALLATION.
- ASSEMBLY COMPONENT MATERIALS:
 - PRE-GLAVANIZED STEEL (JMCMB25-1)
 - ZINC PLATED STEEL (RIVET)
 - SPRING STEEL (THREADED ROD BRACKET)
- RATED STATIC LOAD: 180 lbs. (81.65kg)
- JMTRB38-1 WILL ACCEPT TWO MJH2 J HOOK PRODUCTS.

| | |
|-----------------------------------------------------------------------------------------------------------------------------------|-----------------------------------------------------------------------------------------|
| DIMENSIONS IN BRACKETS ARE METRIC [mm] | |
| CAD FILENAME/LAYERS G02672DP_PS_JMTRB381_00 | |
| CORP. TINLEY PARK, ILLINOIS | |
| JMOD THREADED ROD BRACKET ASSEMBLY (JMTRB38-1--) | |
| UNLESS OTHERWISE SPECIFIED, DIMENSIONAL TOLERANCES ARE: (.X) ±0.05 (1.3) (.XXX) ±0.010 (0.25) (.XX) ±0.02 (0.5) ANGLES ± 5° | UNLESS OTHERWISE SPECIFIED, ALL DIMENSIONS ARE GIVEN IN INCHES, THIRD ANGLE PROJECTION. |
| DRAWN BY JAD | MAT'L: NONE |
| DATE 3/7/03 | SEE NOTE 3 |
| DRW'G NO. GB2672DP | DWG SIZE A |

| REV | DATE | BY | CHK | DESCRIPTION | ECN | R | CUST | SUP |
|-----|--------|-----|-----|-----------------|----------|---|------|-----|
| R | 3/7/03 | JAD | | INITIAL RELEASE | 68272ZDP | R | | |

X-ON Electronics

Largest Supplier of Electrical and Electronic Components

Click to view similar products for [Cable Mounting & Accessories](#) category:

Click to view products by [Panduit](#) manufacturer:

Other Similar products are found below :

[582603-1](#) [009333-000](#) [727844N003](#) [747](#) [809090N001](#) [843188-000](#) [8666](#) [967279N002](#) [DB-11](#) [1300840039](#) [1300900096](#) [1301800416](#)
[1302264450](#) [1300830184](#) [1300830729](#) [1300900039](#) [1301580036](#) [1301850553](#) [1301860939](#) [1302000074](#) [1302261315](#) [1302264431](#)
[1337706-2](#) [APA18-AK](#) [1724](#) [1-787307-1](#) [185491N001](#) [1868](#) [HP-6N](#) [C-202-C](#) [202C221-13-0](#) [CA7308-000](#) [8S23-75FR-CS8184](#) [2684](#) [9648](#)
[3089](#) [988382-000](#) [A72821-000](#) [AA401](#) [173506-000](#) [1823](#) [202C292-13-0](#) [202C302-13-0](#) [2109](#) [300625](#) [3330](#) [3412](#) [356247-1](#) [M9142](#)
[M9143](#)