

THIS COPY IS PROVIDED ON A RESTRICTED BASIS AND IS NOT TO BE USED IN ANY WAY DETRIMENTAL TO THE INTERESTS OF PANDUIT CORP.

WIRE SIZE	NUMBER OF WIRES	NUMBER OF ADDITIONAL WIRES OF ONE SIZE			
		#22 AWG [0,5 mm <sup>2</sup> ]	#20 AWG [0,75 mm <sup>2</sup> ]	#18 AWG [1,0 mm <sup>2</sup> ]	#16 AWG [1,5 mm <sup>2</sup> ]
#22 AWG [0,5 mm <sup>2</sup> ]	1	1-4	1-3	1-2	1
	2	1-3	1-2	1-2	1
	3	1-2	1	1	1
	4	1	0	0	0
#20 AWG [0,75 mm <sup>2</sup> ]	1	1-3	1-3	1-2	1
	2	1-2	1-2	1	1
	3	1	1	0	0
#18 AWG [1,0 mm <sup>2</sup> ]	1	1-3	1-2	1-2	1
	2	1-2	1	1	0
#16 AWG [1,5 mm <sup>2</sup> ]	1	1-3	1-2	1	1
#14 AWG [2,5 mm <sup>2</sup> ]	1	1	1	0	0

**NOTES:**

**1. USED FOR:**

- A. SOLID OR STRANDED COPPER WIRE
- B. 221°F [105°C] MAX. OPERATING TEMPERATURE
- C. 600V. MAX. BLDG WIRE (1000 V. MAX. IN SIGNS, FIXTURES & LUMINAIRES)
- D. SEE CHART FOR WIRE COMBINATIONS

**2. INSTALLATION TOOLS:**

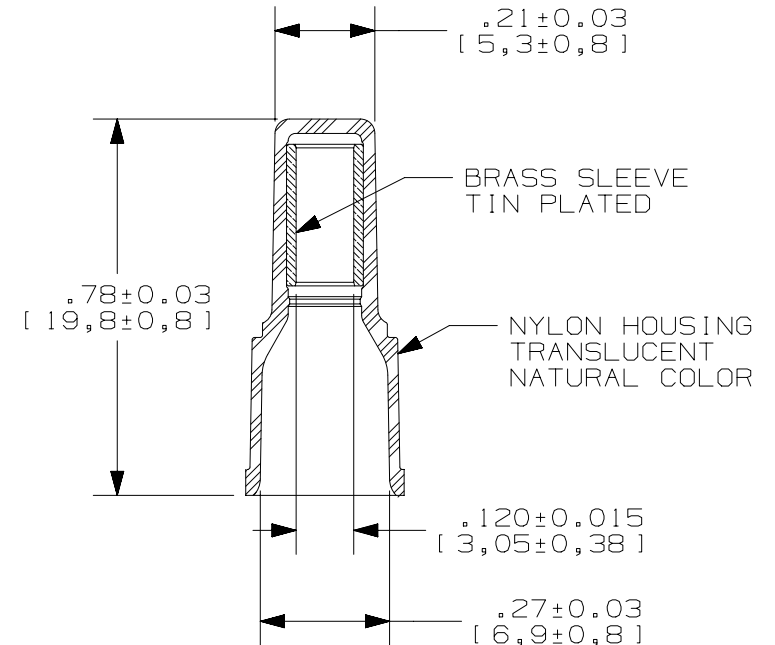
- A. UL LISTED AND CSA CERTIFIED: CT-100A, CT-1550, CT-1551, CT-2400 (CT-2455CH), CT-2500 (CT-2550CH), CT-600-A (CT-550CH)
- B. PANDUIT APPROVED: CT-160, CT-260, CT-400, CT-460

**3. WIRE STRIP LENGTH:** 7/16" <sup>+1/32</sup>/<sub>-0</sub> [11,1 mm <sup>+0,8</sup>/<sub>-0</sub>]

**4. SEE [www.panduit.com](http://www.panduit.com) FOR PACKAGE QUANTITIES, INDICATED BY PART NUMBER SUFFIX**

**5. DIMENSIONS IN BRACKETS ARE METRIC EQUIVALENT**

**6. TWIST ENDS OF STRIPPED WIRE TOGETHER BEFORE INSERTING INTO WIRE JOINT**



LISTED  
587H  
E52164



CERTIFIED  
LR31212

TITLE		NYLON INSULATED WIRE JOINT JN218-216 CUSTOMER DRAWING	
ITEM REVISION NAME		N41342BA/07	
DATASET FILE NAME		N41342BA_DC/07A	
UNLESS OTHERWISE SPECIFIED, DIMENSIONAL TOLERANCES ARE: IN [mm]		MATERIAL: <b>SEE NOTES</b>	
.x ± .1 [ 2.54 ] .xx ± .03 [ .76 ]		.xxx ± .005 [ .127 ] ANGLES ± 5 °	
DRAWN BY DAW		DATE -	
CHK		SCALE N.T.S.	
DESCRIPTION		DRAWING NUMBER: A41342	
REV		SHEET 1 OF 1	
DATE		SIZE A	

REV	DATE	BY	CHK	APR	DESCRIPTION	ECN
07	06.02.15	TMR	TMR	RGB	ADDED TOLERANCE TO DWG, MOVED MATERIAL INFO TO DIAGRAM	N41342BA-DC
06	07.18.12	BDK	LCA	VMB	ADDED METRIC EQUIVALENTS. REVISED INSTALLATION TOOLS NOTE. BROUGHT DRAWING TO CURRENT STANDARDS.	N41342BA-DC

D10100DA/12

## X-ON Electronics

Largest Supplier of Electrical and Electronic Components

*Click to view similar products for [Terminals](#) category:*

*Click to view products by [Panduit](#) manufacturer:*

Other Similar products are found below :

[00-054007-01074-6](#) [00-054007-70206-1](#) [00-054007-70210-8](#) [00-054007-70217-7](#) [00-054007-70226-9](#) [00-054007-70228-3](#) [00-054007-70248-1](#) [00-054007-70256-6](#) [00-054007-70301-3](#) [00-054007-70316-7](#) [0-0320562-0](#) [00-054007-49560-4](#) [00-054007-70209-2](#) [00-054007-70225-2](#) [00-054007-70227-6](#) [00-054007-70231-3](#) [00-054007-70241-2](#) [00-054007-70242-9](#) [00-054007-70244-3](#) [00-054007-70246-7](#) [00-054007-70263-4](#) [00-054007-70288-7](#) [00-054007-70290-0](#) [00-054007-70300-6](#) [00-054007-70304-4](#) [01-2065-1-0216](#) [01-2900-1-04412](#) [00581P0075](#) [600TS-10](#) [60205-1](#) [604200-1](#) [605601-1](#) [60598-1-CUT-TAPE](#) [61314-6-C](#) [61810-3](#) [61-S](#) [61-SN](#) [626-0194](#) [62-NBM-A](#) [62-SN](#) [62-SP](#) [640179-1](#) [M55155/059I03](#) [M55155/079C01](#) [M55155/099H02](#) [M55155/109H01](#) [M55155/109H02](#) [M55155/12XH05](#) [M55155/16XH02](#) [M55155/29-5S](#)