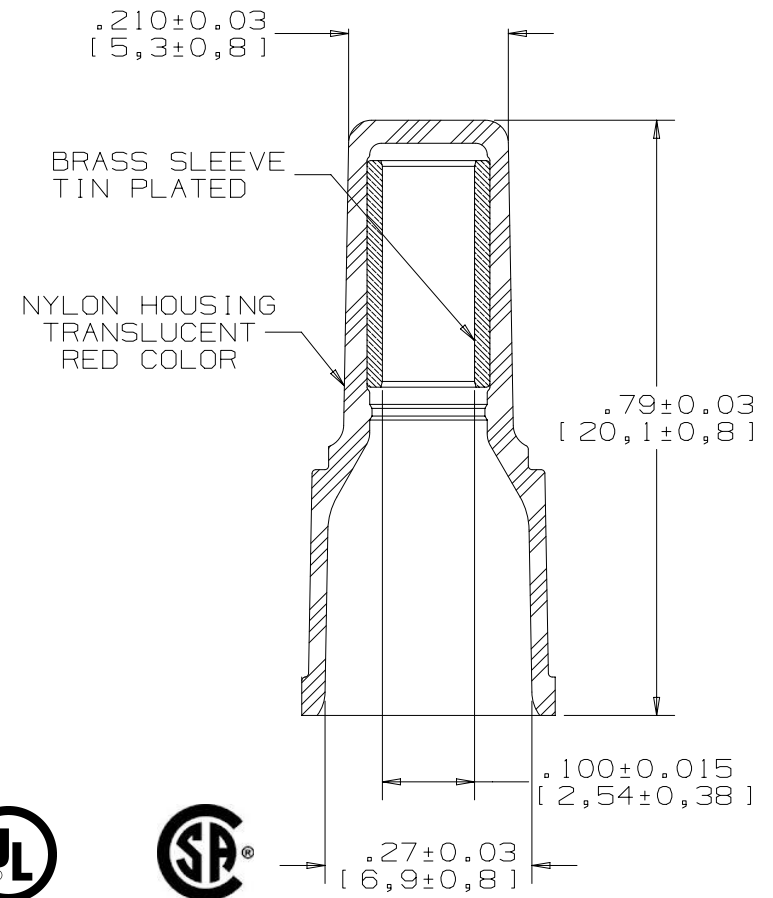


THIS COPY IS PROVIDED ON A RESTRICTED BASIS AND IS NOT TO BE USED IN ANY WAY DETRIMENTAL TO THE INTERESTS OF PANDUIT CORP.

WIRE SIZE	NUMBER OF WIRES	NUMBER OF ADDITIONAL WIRES OF ONE SIZE					
		#24	#22	#20	#18	#16	#14
#24 AWG	1	1-10	1-6	1-4	1 OR 2	1	1
	2	1-9	1-5	1-3	1 OR 2	1	1
	3	1-8	1-4	1 OR 2	1 OR 2	1	0
	4	1-7	1-4	1 OR 2	1	1	0
	5	1-6	1-3	1	1	0	0
	6	1-5	1-3	1	0	0	0
	7	1-4	1 OR 2	0	0	0	0
#22 AWG	1	1-10	1-5	1-4	1 OR 2	1	1
	2	1-8	1-4	1-3	1 OR 2	1	0
	3	1-6	1-3	1 OR 2	1	1	0
	4	1-4	1 OR 2	1	1	0	0
	5	1 OR 2	1	1	0	0	0
#20 AWG	1	1-6	1-4	1-4	1 OR 2	1	1
	2	1-4	1-3	1-3	1 OR 2	1	0
	3	1 OR 2	1 OR 2	1 OR 2	1	0	0
	4	1	1	1	0	0	0
#18 AWG	1	1-5	1-4	1-3	1 OR 2	1	0
	2	1-3	1 OR 2	1 OR 2	1	0	0
#16 AWG	1	1-4	1-3	1 OR 2	1	1	0
#14 AWG	1	1 OR 2	1	1	0	0	0

- USED FOR:
  - FOR SOLID OR STRANDED COPPER WIRE
  - 600V MAX BUILDING WIRE, (1000V. MAX IN SIGNS, FIXTURES, AND LUMINAIRES)
  - 221°F (105°C) MAX TEMP RATING
  - SEE CHART FOR WIRE COMBINATIONS
  - WIRE COMBINATIONS USING #24 AWG WIRE ARE NOT UL LISTED OR CSA CERTIFIED
- SEE [www.panduit.com](http://www.panduit.com) FOR PART NUMBER SUFFIX DESIGNATION FOR PACKAGE SIZE.
- DIMENSIONS IN BRACKETS ARE METRIC EQUIVALENT
- INSTALLATION TOOLS:
  - UL LISTED AND CSA CERTIFIED: CT-500, CT-1550, CT-1551, CT-2400, CT-2500 (CT-2550CH), CT-600-A (CT-500CH)
  - PANDUIT APPROVED: CT-100A, CT-160, CT-250, CT-260, CT-400, CT-550



TITLE		NYLON INSULATED WIRE JOINT JN224-318	
ITEM REVISION NAME		CUSTOMER DRAWING	
DATASET FILE NAME		N41341BA/06	
UNLESS OTHERWISE SPECIFIED, DIMENSIONAL TOLERANCES ARE: IN (mm)		MATERIAL:	
.x ± .1 [ 2.54 ] .xx ± .01 [ .25 ]		SEE NOTES	
.xxx ± .005 [ .127 ] ANGLES ± 5 °		DRAWING NUMBER:	
THIRD ANGLE PROJECTION		A41341	
DRAWN BY	DATE	CHK	SCALE
TSM		TRS	NONE
SHT 1 OF 1		SIZE	
A			

REV	DATE	BY	CHK	APR	DESCRIPTION	ECN
06	6/15	TMR	TMR	RGB	ADD TOL DIMS, REMOVE SLEEVE THK, REVISED UL TOOL INFO	N41341BA-DC
05	8/11	SHOR			MODIFIED NOTE #2	

D10100DA/16

## X-ON Electronics

Largest Supplier of Electrical and Electronic Components

*Click to view similar products for [Terminals](#) category:*

*Click to view products by [Panduit](#) manufacturer:*

Other Similar products are found below :

[00-054007-01074-6](#) [00-054007-70206-1](#) [00-054007-70210-8](#) [00-054007-70217-7](#) [00-054007-70226-9](#) [00-054007-70228-3](#) [00-054007-70248-1](#) [00-054007-70256-6](#) [00-054007-70301-3](#) [00-054007-70316-7](#) [0-0320562-0](#) [00-054007-49560-4](#) [00-054007-70209-2](#) [00-054007-70225-2](#) [00-054007-70227-6](#) [00-054007-70231-3](#) [00-054007-70241-2](#) [00-054007-70242-9](#) [00-054007-70244-3](#) [00-054007-70246-7](#) [00-054007-70263-4](#) [00-054007-70288-7](#) [00-054007-70290-0](#) [00-054007-70300-6](#) [00-054007-70304-4](#) [01-2065-1-0216](#) [01-2900-1-04412](#) [00581P0075](#) [600TS-10](#) [60205-1](#) [604200-1](#) [605601-1](#) [60598-1-CUT-TAPE](#) [61314-6-C](#) [61810-3](#) [61-S](#) [61-SN](#) [626-0194](#) [62-NBM-A](#) [62-SN](#) [62-SP](#) [63-S](#) [640179-1](#) [M55155/059I03](#) [M55155/079C01](#) [M55155/099H02](#) [M55155/109H01](#) [M55155/109H02](#) [M55155/12XH05](#) [M55155/16XH02](#)