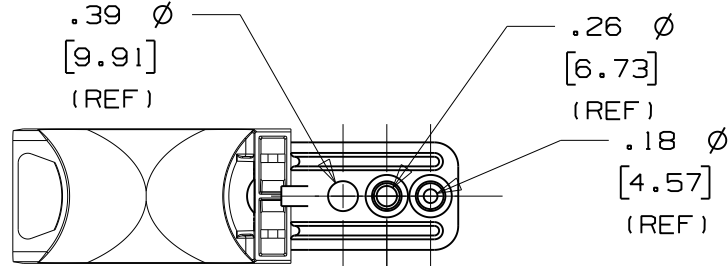
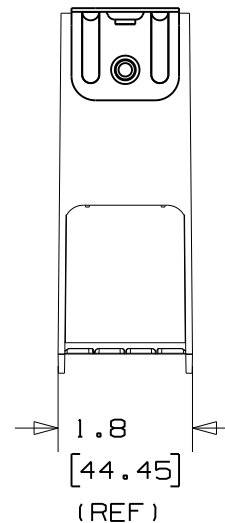
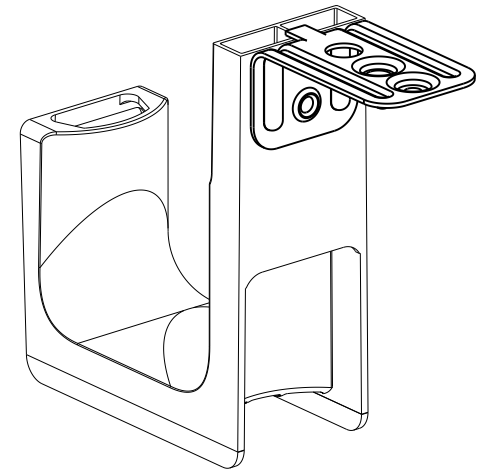
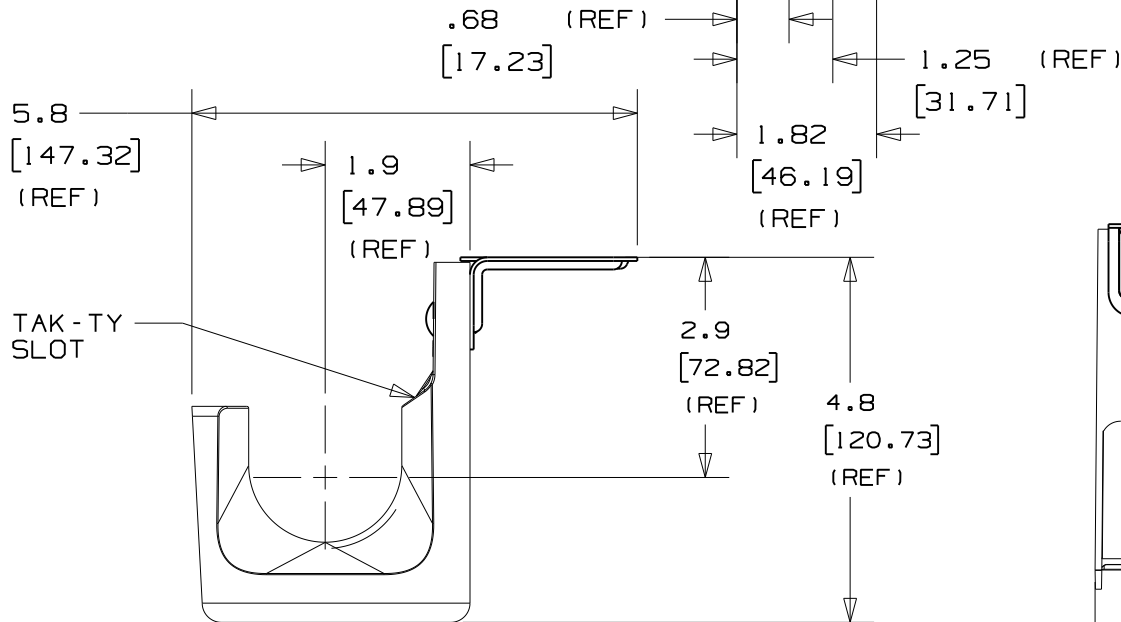


THIS COPY IS PROVIDED ON A RESTRICTED BASIS AND IS NOT TO BE USED IN ANY WAY DETRIMENTAL TO THE INTERESTS OF PANDUIT CORP.



PANDUIT PART NO.	WEIGHT lbs 10 (g) pcs
JP2CMB-___	1.874 (850)



- NOTES:
- SEE CURRENT PRICE SHEET FOR PART NUMBER SUFFIX DESIGNATION FOR PACKAGE SIZE AND PRODUCT COLOR.
  - HOOK MATERIAL: NYLON 6/6  
ANGLE BRACKET MATERIAL: PRE-GALVANIZED STEEL,  
RIVET MATERIAL: ALUMINUM
  - PRODUCT IS DESIGNED TO SUPPORT A MAXIMUM OF 2" (50.8) DIAMETER BUNDLE. MAXIMUM RECOMMENDED STATIC LOAD: 30 lbs.
  - PRODUCT INCORPORATES FEATURES ALLOWING USER TO RETAIN CABLE BUNDLES IN J-PRO J-HOOK WITH TAK-TY CABLE TIES UP TO 3/4" WIDE.
  - PRODUCT MARKINGS:  
cULus logo and statement:  
"SUITABLE FOR USE IN AIR HANDLING SPACES IN ACCORDANCE WITH SECTION 300-22 (C) & (D) OF THE NATIONAL ELECTRIC CODE."  
ULC logo and statement:  
"IN ACCORDANCE WITH CAN/ULC S-102.2-10 IN SINGLE UNITS OR PAIRS, 4 ft (1220mm) MIN. SPACING, FSR=0, SDC=35."

TITLE J-PRO CEILING MOUNT J-HOOK (JP2CMB-___) CUSTOMER DRAWING							
ITEM REVISION NAME 121031AC/00	<b>PANDUIT</b> <sup>TM</sup>						
DATASET FILE NAME 121031AC_DC_C11002/00A							
UNLESS OTHERWISE SPECIFIED, DIMENSIONAL TOLERANCES ARE: IN (mm) .x : .1 (2.54) .xxx : .005 (0.127) .xx : .01 (0.25) ANGLES : 5 °							
DRAWING NUMBER: <b>C11002</b>							
THIRD ANGLE PROJECTION							
DRAWN BY: DBLA DATE: 11/09/2012 CHK: KLN SCALE: NONE	SHT 1 OF 1						
REV	DATE	BY	CHK	APR	DESCRIPTION	ECN	SIZE
00	11/09/2012	DBLA	GGC	KLN	INITIAL RELEASE	GAECN00221	A

D101000A/12

## X-ON Electronics

Largest Supplier of Electrical and Electronic Components

*Click to view similar products for [Cable Mounting & Accessories](#) category:*

*Click to view products by [Panduit](#) manufacturer:*

Other Similar products are found below :

[582603-1](#) [009333-000](#) [727844N003](#) [747](#) [809090N001](#) [843188-000](#) [8666](#) [967279N002](#) [DB-11](#) [1300840039](#) [1300900096](#) [1301800416](#)  
[1302264450](#) [1300830184](#) [1300830729](#) [1300900039](#) [1301580036](#) [1301850553](#) [1301860939](#) [1302000074](#) [1302261315](#) [1302264431](#)  
[1337706-2](#) [APA18-AK](#) [1724](#) [1-787307-1](#) [185491N001](#) [1868](#) [HP-6N](#) [C-202-C](#) [202C221-13-0](#) [CA7308-000](#) [8S23-75FR-CS8184](#) [2684](#) [9648](#)  
[3089](#) [988382-000](#) [A72821-000](#) [AA401](#) [173506-000](#) [1823](#) [202C292-13-0](#) [202C302-13-0](#) [2109](#) [300625](#) [3330](#) [3412](#) [356247-1](#) [M9142](#)  
[M9143](#)