

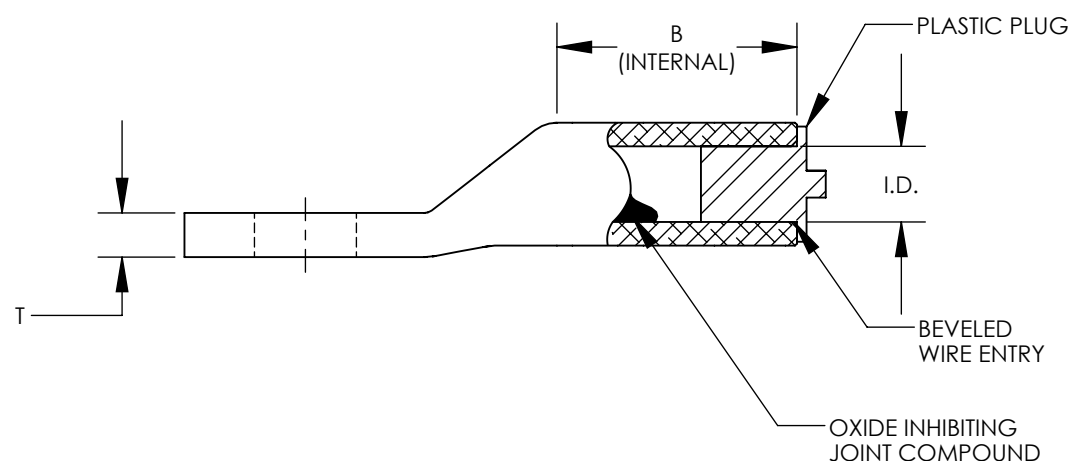
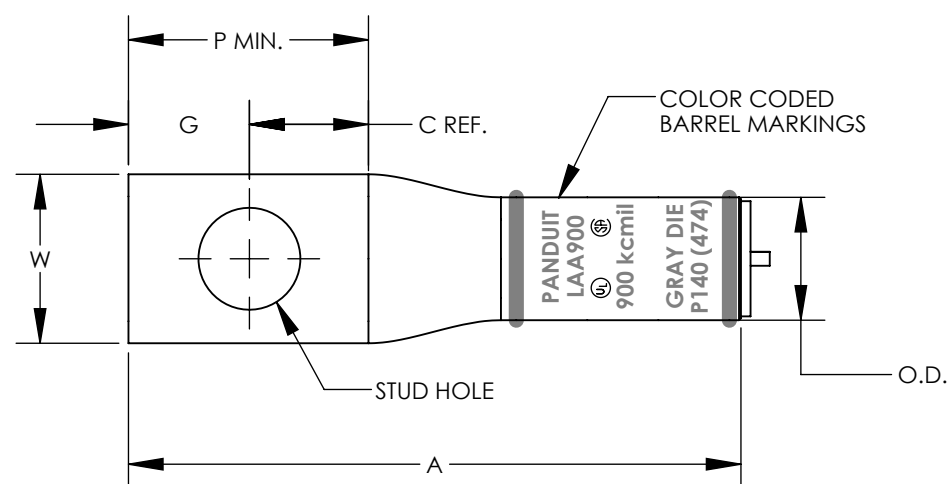
THIS COPY IS PROVIDED ON A RESTRICTED BASIS AND IS NOT TO BE USED IN ANY WAY DETRIMENTAL TO THE INTERESTS OF PANDUIT CORP.

PANDUIT PART NUMBER	ALUMINUM CONDUCTOR SIZE	STUD SIZE	OVERALL LENGTH "A" +/- .12	BARREL LENGTH "B" MIN	BARREL		TONGUE WIDTH "W" +/- .060	TONGUE THICKNESS "T" +/- .04	TONGUE LENGTH "P" MIN	HOLE OFFSET "G" +/- .06	WRENCH CLEARANCE "C" REF	WIRE STRIP LENGTH	PANDUIT CRIMP TOOL PART NUMBERS	
					I.D. +/- .02	O.D. +/- .06							CT-2940, CT-940CH	
					DIE PART NO./DIE SET COLOR & INDEX NO./ NUMBER OF CRIMPS									
LAA900-58-1	900 kcmil	5/8"	6.63	3.38	1.13	1.66	1.74	0.59	1.88	0.88	1.00	3-7/16"	CD-940-800A* GRAY P140 4 CRIMPS	

\*CD-940 DIES TO BE USED EXCLUSIVELY WITH CT-940CH AND CT-2940 TOOLS

NOTES:

1. MATERIAL: SEAMLESS ALUMINUM TUBING
2. TIN PLATED
3. BARREL COLOR CODED WITH DIE SET INDEX NUMBER
4. UL LISTED & TEMPERATURE RATED 90°C (AL9)
5. CSA CERTIFIED
6. FOR STRANDED ALUMINUM WIRE ONLY
7. ALL DIMENSIONS IN INCHES



REV	DATE	BY	CHK	APR	DESCRIPTION	ECN
00	7/14	JHNU	JHNU	RGB	DRAWING RELEASED	12J037BF-DC

TITLE <b>LAA SERIES 900kcmil ALUMINUM LUG CUSTOMER DRAWING</b>	
ITEM REVISION NAME 12J037BF/00	<b>PANDUIT</b>
DATASET FILE NAME 12J037BF-DC/00.SLDDRW	
UNLESS OTHERWISE SPECIFIED, DIMENSIONAL TOLERANCES ARE: IN [mm] .X ± .XXX ± .XX ± ANGLES ±	
THIRD ANGLE PROJECTION	MATERIAL SEE NOTES
DRAWING NUMBER 12J037BF-DC	SIZE B
DRAWN BY JHNU	DATE 7/14
CHK RGB	SCALE NONE
SHEET 1 OF 1	

## X-ON Electronics

Largest Supplier of Electrical and Electronic Components

*Click to view similar products for [Terminals](#) category:*

*Click to view products by [Panduit](#) manufacturer:*

Other Similar products are found below :

[00-054007-01074-6](#) [00-054007-70206-1](#) [00-054007-70210-8](#) [00-054007-70217-7](#) [00-054007-70226-9](#) [00-054007-70228-3](#) [00-054007-70248-1](#) [00-054007-70256-6](#) [00-054007-70301-3](#) [00-054007-70316-7](#) [0-0320562-0](#) [00-054007-49560-4](#) [00-054007-70209-2](#) [00-054007-70225-2](#) [00-054007-70227-6](#) [00-054007-70231-3](#) [00-054007-70241-2](#) [00-054007-70242-9](#) [00-054007-70244-3](#) [00-054007-70246-7](#) [00-054007-70263-4](#) [00-054007-70288-7](#) [00-054007-70290-0](#) [00-054007-70300-6](#) [00-054007-70304-4](#) [01-2065-1-0216](#) [01-2900-1-04412](#) [00581P0075](#) [600TS-10](#) [60205-1](#) [604200-1](#) [605601-1](#) [60598-1-CUT-TAPE](#) [61314-6-C](#) [61810-3](#) [61-S](#) [61-SN](#) [626-0194](#) [62-NBM-A](#) [62-SN](#) [62-SP](#) [63-S](#) [640179-1](#) [M55155/059I03](#) [M55155/079C01](#) [M55155/099H02](#) [M55155/109H01](#) [M55155/109H02](#) [M55155/12XH05](#) [M55155/16XH02](#)