

THIS COPY IS PROVIDED ON A RESTRICTED BASIS AND IS NOT TO BE USED IN ANY WAY DETRIMENTAL TO THE INTERESTS OF PANDUIT CORP.

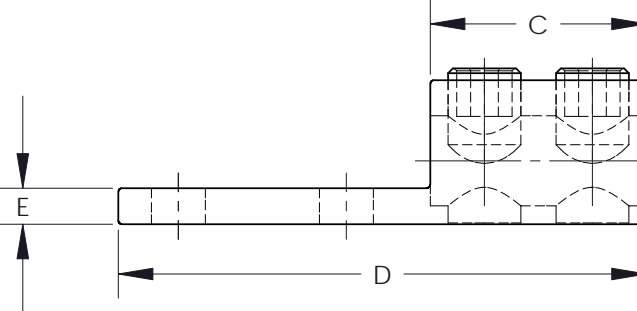
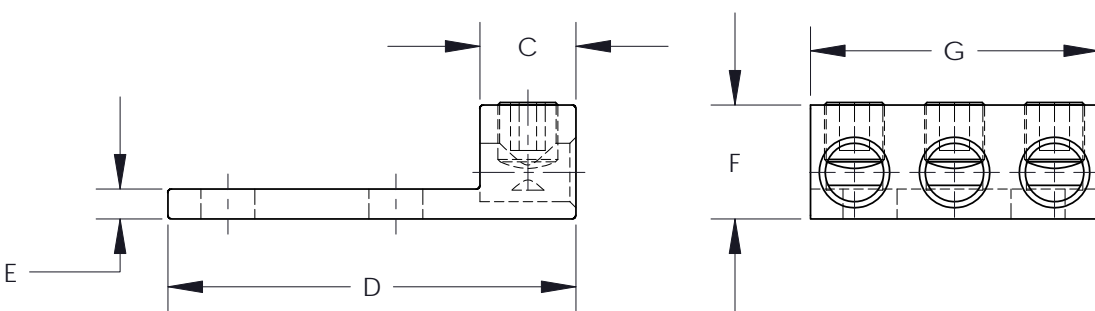
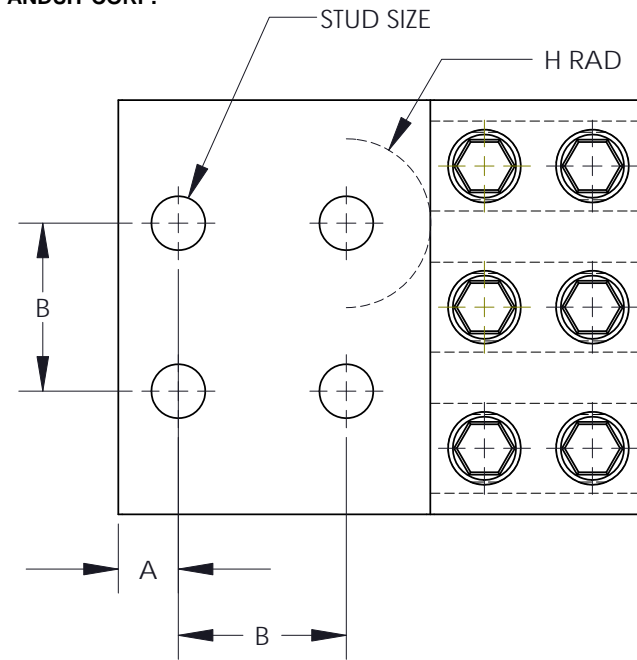
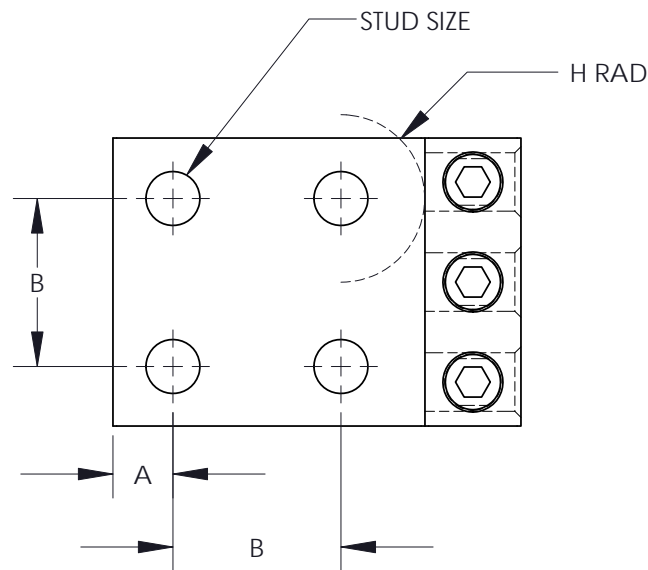


FIGURE 1

FIGURE 2

NOTES:

1. MATERIAL:  
BODY - ALUMINUM, TIN PLATED  
SCREW - ALUMINUM, TIN PLATED
2. UL LISTED & CSA CERTIFIED FOR USE UP TO 600V & TEMPERATURE RATED 90°C (AL9CU)
3. DUAL RATED FOR USE WITH COPPER OR ALUMINUM STRANDED CODE CONDUCTOR
4. THESE PARTS ARE RoHS COMPLIANT
5. USE OF OXIDE INHIBITING JOINT COMPOUND LIKE PANDUIT CMP-100 RECOMMENDED FOR PAD TO PAD AND CONDUCTOR SURFACES
6. SEE PACKAGING LABEL FOR TIGHTENING TORQUE INFORMATION
7. PKG QTY:  
3 = 3  
1 = 1
8. \*\* DENOTES NEMA HOLE SPACING



△ D

△ A

PART NUMBER	FIGURE	STUD SIZE	DIMENSIONS - IN [mm]								WIRE STRIP LENGTH	WIRE RANGE	HEX KEY*
			A	B	C	D	E	F	G	H			
LAM3D3/0-12-3Y	1	1/2	.63 [16.0]	**1.75 [44.5]	1.00 [25.4]	4.25 [108.0]	.31 [7.9]	1.19 [30.2]	2.81 [71.4]	.88 [22.4]	1.00 [25.4]	3/0-6 AWG	1/4
LAM3D250-12-1Y	1	1/2	.63 [16.0]	**1.75 [44.5]	1.00 [25.4]	4.25 [108.0]	.31 [7.9]	1.19 [30.2]	3.00 [76.2]	.88 [22.4]	1.00 [25.4]	250kcmil - 6 AWG	5/16
LAM3D350-12-1Y	1	1/2	.63 [16.0]	**1.75 [44.5]	1.25 [31.8]	4.50 [114.3]	.31 [7.9]	1.38 [35.1]	3.50 [88.9]	.88 [22.4]	1.25 [31.8]	350kcmil - 6 AWG	5/16
LAM3LD600-12-1	2	1/2	.63 [16.0]	**1.75 [44.5]	2.25 [57.2]	5.50 [139.7]	.38 [9.7]	1.50 [38.1]	4.32 [109.7]	.88 [22.4]	2.25 [57.2]	600kcmil - 2 AWG	3/8
LAM3LD1000-12-1Y	2	1/2	.63 [16.0]	**1.75 [44.5]	2.75 [69.9]	6.19 [157.1]	.56 [14.3]	1.88 [47.8]	5.27 [133.9]	1.07 [27.2]	2.75 [69.9]	1000-500 kcmil	1/2

\* HEX SIZE MAY DIFFER FROM CHART. DIFFERENCE IN SIZE WILL NOT AFFECT FIT, FORM, OR FUNCTION OF PART

05	8/10	JHNU	JHNU	D. REVISED DIMENSIONS FOR LAM3D3/0-12-3Y, LAM3D250-12-1Y, & LAM3D350-12-1Y C. REMOVED LAM3D600-12-1Y, ADDED LAM3LD600-12-1 B. REMOVED LAM3LD800-12-1Y, ADDED LAM3LD1000-12-1 A. REMOVED TIGHTENING TORQUE & WEIGHT COLUMN	N41562BC-C41562	FLD	FLD	<b>PANDUIT CORP. TINLEY PARK, ILLINOIS</b>		
04	1/10	JHNU	JHNU	REVISED PART NUMBER: LAM3LD1000-121Y WAS LAM3LD1000-12-1Y				LAM3D, LAM3LD SERIES ALUMINUM MECHANICAL LUGS CUSTOMER DRAWING		
03	12/09	JHNU	JHNU	REVISED TORQUE & HEX KEY FOR LAM3LD1000-12-1Y CONVERTED DWG TO SOLIDWORKS				UNLESS OTHERWISE SPECIFIED DIMENSIONAL TOLERANCES ARE: (.X) ± (.XXX) ± (.XX) ± ANGLES ±		
02	1/07	JHNU	JHNU	ADDED PART WEIGHT COLUMN TO TABLE, REMOVED LAM3D2-14-6Y & LAM3D1/0-38-6Y				UNLESS OTHERWISE SPECIFIED, ALL DIMENSIONS ARE GIVEN IN INCHES, THIRD ANGLE PROJECTION		
01	3/06	JHNU	LEM	REVISED RoHS NOTE				DRAWN BY JHNU	MAT'L:	
00	2/06	JHNU	LEM	DRAWING RELEASED - RoHS COMPLIANT				DATE 2/06	SCALE NONE	
REV	DATE	BY	CHK	DESCRIPTION	ECN	-R	SUP	CHK'D	DRAWING NO / CAD FILE C41562_05	DWG B SIZE

## X-ON Electronics

Largest Supplier of Electrical and Electronic Components

*Click to view similar products for [Terminals](#) category:*

*Click to view products by [Panduit](#) manufacturer:*

Other Similar products are found below :

[00-054007-01074-6](#) [00-054007-70206-1](#) [00-054007-70210-8](#) [00-054007-70217-7](#) [00-054007-70226-9](#) [00-054007-70228-3](#) [00-054007-70248-1](#) [00-054007-70256-6](#) [00-054007-70301-3](#) [00-054007-70316-7](#) [0-0320562-0](#) [00-054007-49560-4](#) [00-054007-70209-2](#) [00-054007-70225-2](#) [00-054007-70227-6](#) [00-054007-70231-3](#) [00-054007-70241-2](#) [00-054007-70242-9](#) [00-054007-70244-3](#) [00-054007-70246-7](#) [00-054007-70263-4](#) [00-054007-70288-7](#) [00-054007-70290-0](#) [00-054007-70300-6](#) [00-054007-70304-4](#) [01-2065-1-0216](#) [01-2900-1-04412](#) [00581P0075](#) [600TS-10](#) [60205-1](#) [604200-1](#) [605601-1](#) [60598-1-CUT-TAPE](#) [61314-6-C](#) [61810-3](#) [61-S](#) [61-SN](#) [626-0194](#) [62-NBM-A](#) [62-SN](#) [62-SP](#) [63-S](#) [640179-1](#) [M55155/059I03](#) [M55155/079C01](#) [M55155/099H02](#) [M55155/109H01](#) [M55155/109H02](#) [M55155/12XH05](#) [M55155/16XH02](#)