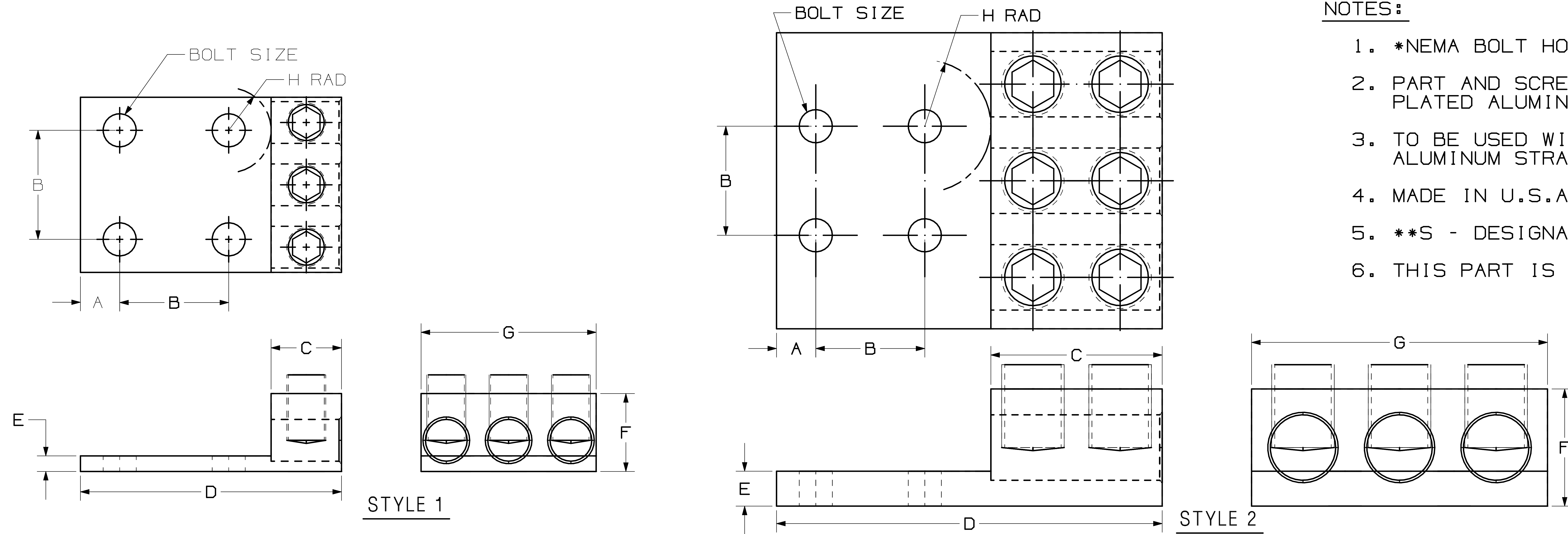


THIS COPY IS PROVIDED ON A RESTRICTED BASIS AND IS NOT TO BE USED IN ANY WAY DETRIMENTAL TO THE INTERESTS OF PANDUIT CORP.

NOTES:

1. *NEMA BOLT HOLE SPACING.
2. PART AND SCREWS ARE TIN PLATED ALUMINUM.
3. TO BE USED WITH COPPER OR ALUMINUM STRANDED WIRE.
4. MADE IN U.S.A.
5. **S - DESIGNATES SLOTTED SCREW.
6. THIS PART IS ROHS COMPLIANT.



CAT. NO.	STYLE	WIRE RANGE COPPER/ALUMINUM	WIRE STRIP LENGTH IN. (mm)	BOLT SIZE IN.	DIM A IN.	DIM B IN.	DIM C IN.	DIM D IN.	DIM E IN.	DIM F IN.	DIM G IN.	DIM H IN.	INSTALLATION TORQUE in-lbs (N-m)	HEX KEY
LAM3D2-14-6Y	1	2-14AWG	.46 (11.7)	5/16	.31	.88	.46	2.49	.19	.47	1.63	0.84	12-14AWG-15 (1.7) 6-8AWG-40 (4.5) 2-4AWG-50 (5.6)	**S
LAM3D1/0-38-6Y	1	1/0-12AWG	.63 (15.9)	3/8	.31	1.00	.63	2.94	.19	.63	1.94	1.00	10-12AWG-35 (3.9) 8AWG-40 (4.5) 1/0-6AWG-50 (5.6)	**S
LAM3D3/0-12-3Y	1	3/0-6AWG	.81 (20.6)	1/2	.63	*1.75	.81	4.19	.25	.81	2.81	1.00	200 (22.6)	1/4
LAM3D250-12-1Y	1	250MCM-6AWG	1.00 (25.4)	1/2	.63	*1.75	1.125	4.18	.25	1.25	2.81	0.68	2-6AWG-200 (22.6) 250MCM-1AWG-375 (42.4)	1/4
LAM3D350-12-1Y	1	350MCM-6AWG	1.13 (28.6)	1/2	.63	*1.75	1.13	4.19	.25	1.25	3.00	0.68	2-6AWG-200 (22.6) 250MCM-1AWG-375 (42.4)	5/16
LAM3D600-12-1Y	1	600MCM-2AWG	1.38 (35)	1/2	.63	*1.75	1.38	4.69	.44	1.56	3.75	0.93	500 (56.5)	3/8
LAM3LD800-12-1Y	2	800-350MCM	2.75 (69.9)	1/2	.63	*1.75	2.75	6.19	.56	1.88	4.25	1.06	375 (42.4)	3/8
LAM3LD1000-12-1Y	2	1000-500MCM	2.75 (69.9)	1/2	.63	*1.75	2.75	6.19	.56	1.88	4.75	1.06	600 (67.8)	9/16

ALUMINUM MECHANICAL CONNECTORS TYPES: LAM3D, LAM3LD

CAD FILENAME/LAYERS		C41562_01	
PANDUIT CORP TINLEY PARK, ILLINOIS			
CUSTOMER DWG TYPE LAM3D, LAM3LD			
UNLESS OTHERWISE SPECIFIED, DIMENSIONAL TOLERANCES ARE: (.X) ± --- (.XXX) ± --- (.XX) ± --- ANGLES ± ---		UNLESS OTHERWISE SPECIFIED, ALL DIMENSIONS ARE GIVEN IN INCHES, THIRD ANGLE PROJECTION	
01	3/06	JHNU/LEM	REVISED ROHS NOTE
00	2/06	JHNU/LEM	DRAWING RELEASED - ROHS COMPLIANT
REV	DATE	BY	CHK
DESCRIPTION		ECN	CUST PM
DRAWN BY JHNU		MAT'L:	
DATE 2/06		SEE NOTES	
CHK'D		SCALE NONE	
		DRAWING NO. C41562	
		DWG SIZE B	

X-ON Electronics

Largest Supplier of Electrical and Electronic Components

Click to view similar products for [Terminals](#) category:

Click to view products by [Panduit](#) manufacturer:

Other Similar products are found below :

[00-054007-01074-6](#) [00-054007-70206-1](#) [00-054007-70210-8](#) [00-054007-70217-7](#) [00-054007-70226-9](#) [00-054007-70228-3](#) [00-054007-70248-1](#) [00-054007-70256-6](#) [00-054007-70301-3](#) [00-054007-70316-7](#) [0-0320562-0](#) [00-054007-49560-4](#) [00-054007-70209-2](#) [00-054007-70225-2](#) [00-054007-70227-6](#) [00-054007-70231-3](#) [00-054007-70241-2](#) [00-054007-70242-9](#) [00-054007-70244-3](#) [00-054007-70246-7](#) [00-054007-70263-4](#) [00-054007-70288-7](#) [00-054007-70290-0](#) [00-054007-70300-6](#) [00-054007-70304-4](#) [01-2065-1-0216](#) [01-2900-1-04412](#) [00581P0075](#) [600TS-10](#) [60205-1](#) [604200-1](#) [605601-1](#) [60598-1-CUT-TAPE](#) [61314-6-C](#) [61810-3](#) [61-S](#) [61-SN](#) [626-0194](#) [62-NBM-A](#) [62-SN](#) [62-SP](#) [63-S](#) [640179-1](#) [M55155/059I03](#) [M55155/079C01](#) [M55155/099H02](#) [M55155/109H01](#) [M55155/109H02](#) [M55155/12XH05](#) [M55155/16XH02](#)