

NOTES:

1. MATERIAL:
BODY - ALUMINUM, TIN PLATED
SCREW - ALUMINUM, TIN PLATED
NOTE: LAMAR3-10-Q SCREW - STEEL, ZINC PLATED
2. UL LISTED AND CSA CERTIFIED FOR USE UP TO 600V & TEMPERATURE RATED 90°C (AL9CU)
3. DUAL RATED FOR USE WITH COPPER OR ALUMINUM STRANDED & SOLID CODE CONDUCTOR
4. THESE PARTS ARE RoHS COMPLIANT
5. USE OF OXIDE INHIBITING JOINT COMPOUND LIKE PANDUIT CMP-100 RECOMMENDED FOR PAD TO PAD AND CONDUCTOR SURFACES
6. SEE PACKAGING LABEL FOR TIGHTENING TORQUE INFORMATION
7. PKG QTY:
Q = 25
6 = 6

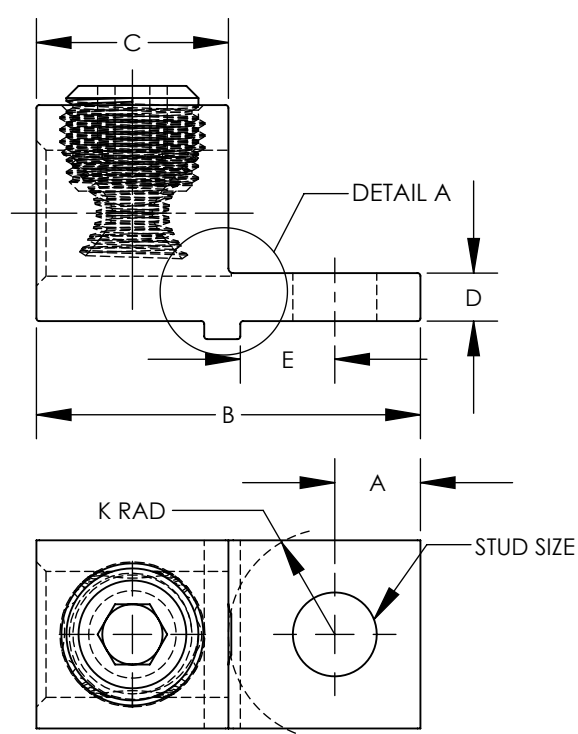


FIGURE 1

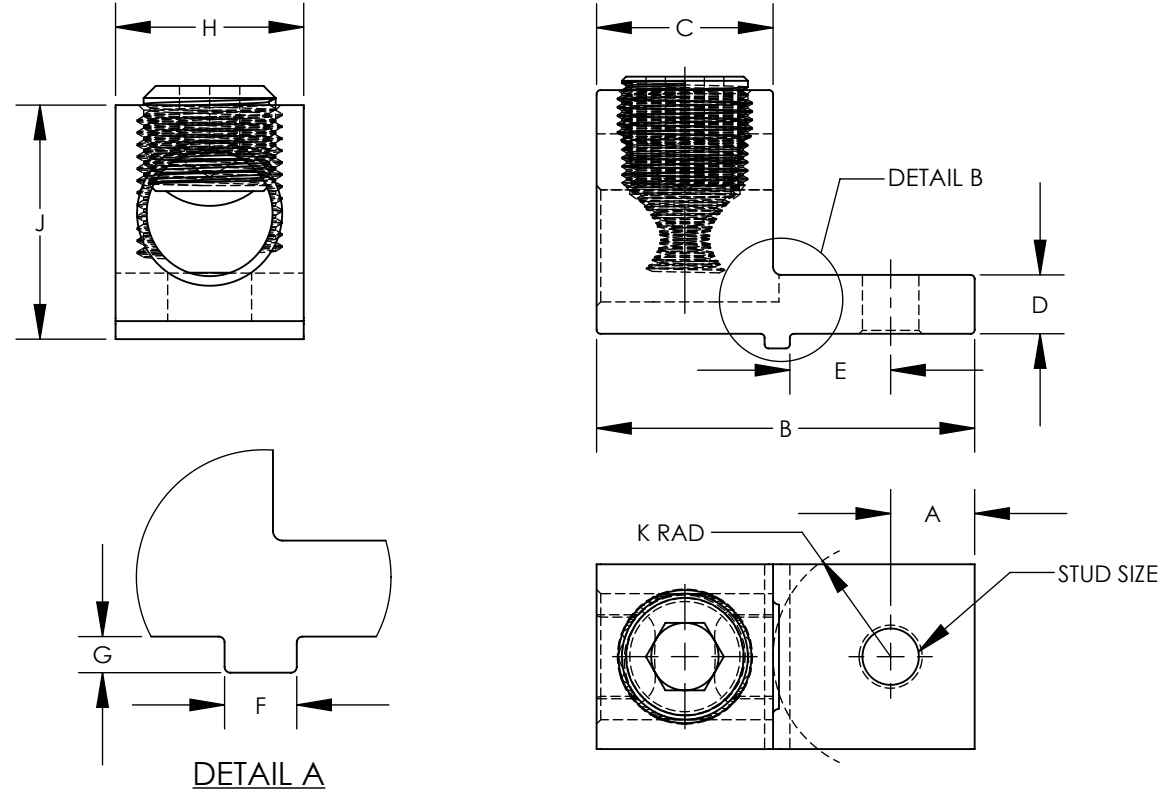


FIGURE 2



PART NUMBER	FIG.	WIRE RANGE COPPER/ALUMINUM	WIRE STRIP LENGTH IN [mm]	STUD SIZE IN	DIMENSIONS - IN [mm] ±.02 [0.5]										HEX KEY
					A	B	C	D	E	F	G	H	J	K	
LAMAR3-10-Q	1	#14 SOL - #3 STR AWG	.53 [13.5]	#10	.24 [6.1]	.99 [25.1]	.53 [13.5]	.12 [3.0]	.22 [5.6]	.12 [3.0]	.06 [1.5]	.49 [12.5]	.62 [15.7]	.22 [5.6]	SLOTTED SCREWDRIVER
LAMAR2/0-14-Q	1	#14 SOL - #2/0 STR AWG	.61 [15.5]	1/4	.31 [7.9]	1.20 [30.5]	.61 [15.5]	.19 [4.8]	.30 [7.6]	.13 [3.3]	.13 [3.3]	.60 [15.2]	.91 [23.1]	.29 [7.4]	3/16"
LAMAR300-38-Q	1	#6 SOL -300 STR kcmil	1.00 [25.4]	3/8	.45 [11.4]	2.00 [50.8]	1.00 [25.4]	.25 [6.4]	.49 [12.4]	.19 [4.8]	.10 [2.5]	.98 [24.9]	1.22 [30.9]	.55 [13.9]	5/16"
LAMAR350-56-Q	1	#6 SOL -300 STR kcmil	1.00 [25.4]	5/16	.41 [10.4]	1.91 [48.5]	1.00 [25.4]	.25 [6.4]	.50 [12.7]	.19 [4.8]	.13 [3.3]	1.00 [25.4]	1.25 [31.8]	.50 [12.7]	5/16"
LAMAR630S-38-6	2	#4 SOL -600 STR kcmil (2) #1/0 STR - 250 STR kcmil	1.31 [33.3]	3/8	.63 [16.0]	2.81 [33.4]	1.31 [33.3]	.44 [11.2]	.75 [19.1]	.19 [4.8]	.11 [2.8]	1.38 [35.1]	1.92 [48.8]	.88 [22.4]	1/2"

REV	DATE	BY	CHK	APR	DESCRIPTION	ECN
02	8/19	JHNU	JHNU	RGB	REVISED WIRE RANGE, NOTES	00186EAA-DC
01	7/18	DAKO	DAKO	RGB	REVISED PART NUMBER: LAMAR2/0-14-Q WAS LAMAR2/0-25-Q REVISED PART NUMBER: LAMAR350-56-Q WAS LAMAR350-516-Q	
00	6/18	DAKO	DAKO	RGB	DRAWING RELEASED	034918

TITLE LAMAR SERIES ANTI-ROTATIONAL ALUMINUM MECHANICAL LUGS CUSTOMER DRAWING						
ITEM REVISION NAME 00186EAA/02				PANDUIT		
DATASET FILE NAME 00186EAA-DC/02.SLDDRW						
UNLESS OTHERWISE SPECIFIED, DIMENSIONAL TOLERANCES ARE: IN [mm] .X ± .XXX ± .XX ± ANGLES ±				MATERIAL SEE NOTES		
DRAWN BY DAKO				DATE 4/18		CHK RGB
SCALE NONE				THIRD ANGLE PROJECTION		DRAWING NUMBER 00186EAA-DC
SHEET 1 OF 1				SIZE B		

X-ON Electronics

Largest Supplier of Electrical and Electronic Components

Click to view similar products for [Terminals](#) category:

Click to view products by [Panduit](#) manufacturer:

Other Similar products are found below :

[00-054007-01074-6](#) [00-054007-70206-1](#) [00-054007-70210-8](#) [00-054007-70217-7](#) [00-054007-70226-9](#) [00-054007-70228-3](#) [00-054007-70248-1](#) [00-054007-70256-6](#) [00-054007-70301-3](#) [00-054007-70316-7](#) [0-0320562-0](#) [00-054007-49560-4](#) [00-054007-70209-2](#) [00-054007-70225-2](#) [00-054007-70227-6](#) [00-054007-70231-3](#) [00-054007-70241-2](#) [00-054007-70242-9](#) [00-054007-70244-3](#) [00-054007-70246-7](#) [00-054007-70263-4](#) [00-054007-70288-7](#) [00-054007-70290-0](#) [00-054007-70300-6](#) [00-054007-70304-4](#) [01-2065-1-0216](#) [01-2900-1-04412](#) [00581P0075](#) [600TS-10](#) [60205-1](#) [604200-1](#) [605601-1](#) [60598-1-CUT-TAPE](#) [61314-6-C](#) [61810-3](#) [61-S](#) [61-SN](#) [626-0194](#) [62-NBM-A](#) [62-SN](#) [62-SP](#) [63-S](#) [640179-1](#) [M55155/059I03](#) [M55155/079C01](#) [M55155/099H02](#) [M55155/109H01](#) [M55155/109H02](#) [M55155/12XH05](#) [M55155/16XH02](#)