

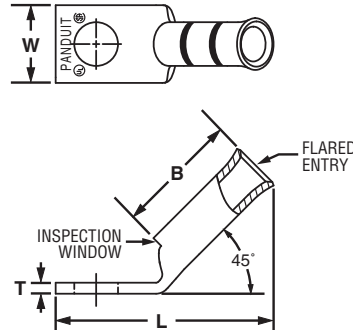


## Flex Conductor, One-Hole, Standard Barrel with Window, Flared NEBS Lug, 45° Angle

For Use with Flexible and Extra-Flexible Copper Conductors

### Type LCAF-H

- Can be used with flex conductor class: K, M, and Diesel Locomotive
- Flared entry prevents bent back strands when inserting fine strand conductor into barrel
- Color-coded barrels marked with Panduit die index numbers for proper crimp die selection
- Inspection window to visually assure full conductor insertion
- Tin-plated to inhibit corrosion
- UL Listed and CSA Certified to 35 KV\*\* and temperature rated to 90°C when crimped with Panduit crimping tools and dies
- **Tested by Telcordia – meets NEBS Level 3**
- American Bureau of Shipping approved



| Part Number   | Flex Conductor Size |                   | Stud Hole Size (In.) | Figure Dimensions (In.) |      |      |      | Panduit Color Code | Panduit Die Index No.‡ | Wire Strip Length (In.) | Std. Pkg. Qty. |
|---------------|---------------------|-------------------|----------------------|-------------------------|------|------|------|--------------------|------------------------|-------------------------|----------------|
|               | Class K and M       | Diesel Locomotive |                      | W                       | B    | T    | L    |                    |                        |                         |                |
| LCAF8-10H-L   | —                   | #8 AWG            | #10                  | 0.41                    | 0.76 | 0.08 | 1.26 | Red                | P21                    | 13/16                   | 50             |
| LCAF8-14H-L   |                     |                   | 1/4                  | 0.48                    | 0.76 | 0.07 | 1.35 | Red                | P21                    | 13/16                   | 50             |
| LCAF8-56H-L   |                     |                   | 5/16                 | 0.56                    | 0.76 | 0.05 | 1.46 | Red                | P21                    | 13/16                   | 50             |
| LCAF8-38H-L   |                     |                   | 3/8                  | 0.60                    | 0.76 | 0.05 | 1.55 | Red                | P21                    | 13/16                   | 50             |
| LCAF6-10H-L   | #6 AWG              | #6 AWG            | #10                  | 0.45                    | 0.81 | 0.09 | 1.31 | Blue               | P24                    | 7/8                     | 50             |
| LCAF6-14H-L   |                     |                   | 1/4                  | 0.48                    | 0.81 | 0.08 | 1.40 | Blue               | P24                    | 7/8                     | 50             |
| LCAF6-56H-L   |                     |                   | 5/16                 | 0.56                    | 0.81 | 0.07 | 1.51 | Blue               | P24                    | 7/8                     | 50             |
| LCAF6-38H-L   |                     |                   | 3/8                  | 0.62                    | 0.81 | 0.06 | 1.61 | Blue               | P24                    | 7/8                     | 50             |
| LCAF4-10H-L   | #4 AWG              | #4 AWG            | #10                  | 0.55                    | 0.81 | 0.09 | 1.34 | Gray               | P29                    | 7/8                     | 50             |
| LCAF4-14H-L   |                     |                   | 1/4                  | 0.55                    | 0.81 | 0.09 | 1.43 | Gray               | P29                    | 7/8                     | 50             |
| LCAF4-56H-L   |                     |                   | 5/16                 | 0.55                    | 0.81 | 0.09 | 1.55 | Gray               | P29                    | 7/8                     | 50             |
| LCAF4-38H-L   |                     |                   | 3/8                  | 0.62                    | 0.81 | 0.07 | 1.64 | Gray               | P29                    | 7/8                     | 50             |
| LCAF2-14H-E   | #2 AWG              | #2 AWG            | 1/4                  | 0.70                    | 0.88 | 0.11 | 1.52 | Brown              | P33                    | 15/16                   | 20             |
| LCAF2-56H-E   |                     |                   | 5/16                 | 0.70                    | 0.88 | 0.11 | 1.65 | Brown              | P33                    | 15/16                   | 20             |
| LCAF2-38H-E   |                     |                   | 3/8                  | 0.70                    | 0.88 | 0.11 | 1.72 | Brown              | P33                    | 15/16                   | 20             |
| LCAF2-12H-E   |                     |                   | 1/2                  | 0.79                    | 0.88 | 0.09 | 1.95 | Brown              | P33                    | 15/16                   | 20             |
| LCAF1-14H-X   | #1 AWG              | #1 AWG            | 1/4                  | 0.76                    | 0.94 | 0.12 | 1.65 | Pink               | P42                    | 1                       | 10             |
| LCAF1-56H-X   |                     |                   | 5/16                 | 0.76                    | 0.94 | 0.12 | 1.71 | Pink               | P42                    | 1                       | 10             |
| LCAF1-38H-X   |                     |                   | 3/8                  | 0.76                    | 0.94 | 0.12 | 1.78 | Pink               | P42                    | 1                       | 10             |
| LCAF1-12H-X   |                     |                   | 1/2                  | 0.80                    | 0.94 | 0.12 | 2.01 | Pink               | P42                    | 1                       | 10             |
| LCAF1/0-14H-X | 1/0 AWG             | 1/0 AWG           | 1/4                  | 0.85                    | 1.35 | 0.13 | 2.06 | Black              | P45                    | 1 7/16                  | 10             |
| LCAF1/0-56H-X |                     |                   | 5/16                 | 0.85                    | 1.35 | 0.13 | 2.06 | Black              | P45                    | 1 7/16                  | 10             |
| LCAF1/0-38H-X |                     |                   | 3/8                  | 0.85                    | 1.35 | 0.13 | 2.12 | Black              | P45                    | 1 7/16                  | 10             |
| LCAF1/0-12H-X |                     |                   | 1/2                  | 0.85                    | 1.35 | 0.13 | 2.37 | Black              | P45                    | 1 7/16                  | 10             |
| LCAF2/0-14H-X | 2/0 AWG             | 2/0 AWG           | 1/4                  | 0.96                    | 1.35 | 0.13 | 2.08 | Orange             | P50                    | 1 7/16                  | 10             |
| LCAF2/0-56H-X |                     |                   | 5/16                 | 0.96                    | 1.35 | 0.13 | 2.08 | Orange             | P50                    | 1 7/16                  | 10             |
| LCAF2/0-38H-X |                     |                   | 3/8                  | 0.96                    | 1.35 | 0.13 | 2.14 | Orange             | P50                    | 1 7/16                  | 10             |
| LCAF2/0-12H-X |                     |                   | 1/2                  | 0.96                    | 1.35 | 0.13 | 2.39 | Orange             | P50                    | 1 7/16                  | 10             |

‡See pages D3.74, D3.75 for tool and die information.

\*\*Consult cable manufacturer for voltage stress relief instructions with applications greater than 2000 V.

Table continues on page D2.76

A. System Overview

B1. Cable Ties

B2. Cable Accessories

B3. Stainless Steel Ties

C1. Wiring Duct

C2. Surface Raceway

C3. Abrasion Protection

C4. Cable Management

D1. Terminals

D2. Power Connectors

D3. Grounding Connectors

E1. Labeling Systems

E2. Labels

E3. Pre-Printed & Write-On Markers

E4. Permanent Identification

E5. Lockout/Tagout & Safety Solutions

F. Index

A. System Overview



## Flex Conductor, One-Hole, Standard Barrel with Window, Flared NEBS Lug, 45° Angle (continued)

B1. Cable Ties

B2. Cable Accessories

B3. Stainless Steel Ties

C1. Wiring Duct

C2. Surface Raceway

C3. Abrasion Protection

C4. Cable Management

D1. Terminals

D2. Power Connectors

D3. Grounding Connectors

E1. Labeling Systems

E2. Labels

E3. Pre-Printed & Write-On Markers

E4. Permanent Identification

E5. Lockout/Tagout & Safety Solutions

F. Index

| Part Number   | Flex Conductor Size |                   | Stud Hole Size (In.) | Figure Dimensions (In.) |      |       |      | Panduit Color Code | Panduit Die Index No.‡ | Wire Strip Length (In.) | Std. Pkg. Qty. |
|---------------|---------------------|-------------------|----------------------|-------------------------|------|-------|------|--------------------|------------------------|-------------------------|----------------|
|               | Class K and M       | Diesel Locomotive |                      | W                       | B    | T     | L    |                    |                        |                         |                |
| LCAF3/0-14H-X | 3/0 AWG             | 3/0 AWG           | 1/4                  | 1.06                    | 1.35 | 0.14  | 2.11 | Purple             | P54                    | 1 7/16                  | 10             |
| LCAF3/0-56H-X |                     |                   | 5/16                 | 1.06                    | 1.35 | 0.14  | 2.13 | Purple             | P54                    | 1 7/16                  | 10             |
| LCAF3/0-38H-X |                     |                   | 3/8                  | 1.06                    | 1.35 | 0.14  | 2.20 | Purple             | P54                    | 1 7/16                  | 10             |
| LCAF3/0-12H-X |                     |                   | 1/2                  | 1.06                    | 1.35 | 0.14  | 2.43 | Purple             | P54                    | 1 7/16                  | 10             |
| LCAF4/0-14H-X | 4/0 AWG             | 4/0 AWG           | 1/4                  | 1.17                    | 1.35 | 0.14  | 2.16 | Yellow             | P62                    | 1 7/16                  | 10             |
| LCAF4/0-56H-X |                     |                   | 5/16                 | 1.17                    | 1.35 | 0.14  | 2.17 | Yellow             | P62                    | 1 7/16                  | 10             |
| LCAF4/0-38H-X |                     |                   | 3/8                  | 1.17                    | 1.35 | 0.14  | 2.24 | Yellow             | P62                    | 1 7/16                  | 10             |
| LCAF4/0-12H-X |                     |                   | 1/2                  | 1.17                    | 1.35 | 0.14  | 2.47 | Yellow             | P62                    | 1 7/16                  | 10             |
| LCAF250-38H-X | 250 kcmil           | 262.6 kcmil       | 3/8                  | 1.28                    | 1.65 | 0.17  | 3.19 | White              | P66                    | 1 3/4                   | 10             |
| LCAF250-12H-X |                     |                   | 1/2                  | 1.28                    | 1.65 | 0.17  | 2.89 | White              | P66                    | 1 3/4                   | 10             |
| LCAF250-58H-X |                     |                   | 5/8                  | 1.28                    | 1.65 | 0.17  | 3.10 | White              | P66                    | 1 3/4                   | 10             |
| LCAF250-78H-X |                     |                   | 7/8                  | 1.28                    | 1.65 | 0.17  | 3.54 | White              | P66                    | 1 3/4                   | 10             |
| LCAF300-38H-6 | 300 kcmil           | 313.1 kcmil       | 3/8                  | 1.39                    | 1.64 | 0.18  | 3.00 | Red                | P71                    | 1 3/4                   | 6              |
| LCAF300-12H-6 |                     |                   | 1/2                  | 1.39                    | 1.64 | 0.18  | 3.00 | Red                | P71                    | 1 3/4                   | 6              |
| LCAF300-58H-6 |                     |                   | 5/8                  | 1.39                    | 1.64 | 0.18  | 3.21 | Red                | P71                    | 1 3/4                   | 6              |
| LCAF300-78H-6 |                     |                   | 7/8                  | 1.39                    | 1.64 | 0.18  | 3.60 | Red                | P71                    | 1 3/4                   | 6              |
| LCAF350-38H-6 | 350 kcmil           | 373.7 kcmil       | 3/8                  | 1.54                    | 1.84 | 0.22  | 3.06 | Blue               | P76                    | 1 15/16                 | 6              |
| LCAF350-12H-6 |                     |                   | 1/2                  | 1.54                    | 1.84 | 0.22  | 3.22 | Blue               | P76                    | 1 15/16                 | 6              |
| LCAF350-58H-6 |                     |                   | 5/8                  | 1.54                    | 1.84 | 0.22  | 3.43 | Blue               | P76                    | 1 15/16                 | 6              |
| LCAF350-34H-6 |                     |                   | 3/4                  | 1.54                    | 1.84 | 0.22  | 3.57 | Blue               | P76                    | 1 15/16                 | 6              |
| LCAF350-78H-6 |                     |                   | 7/8                  | 1.54                    | 1.84 | 0.22  | 3.82 | Blue               | P76                    | 1 15/16                 | 6              |
| LCAF350-1H-6  | 400 kcmil           | 444.4 kcmil       | 1                    | 1.54                    | 1.84 | 0.22  | 3.94 | Blue               | P76                    | 1 15/16                 | 6              |
| LCAF400-12H-6 |                     |                   | 1/2                  | 1.70                    | 2.19 | 0.26  | 4.12 | Brown              | P87                    | 2 1/4                   | 6              |
| LCAF400-58H-6 |                     |                   | 5/8                  | 1.70                    | 2.19 | 0.26  | 4.12 | Brown              | P87                    | 2 1/4                   | 6              |
| LCAF400-78H-6 | 7/8                 | 1.70              | 2.19                 | 0.26                    | 4.12 | Brown | P87  | 2 1/4              | 6                      |                         |                |

‡See pages D3.74, D3.75 for tool and die information.

\*\*Consult cable manufacturer for voltage stress relief instructions with applications greater than 2000 V.

## X-ON Electronics

Largest Supplier of Electrical and Electronic Components

*Click to view similar products for [Heavy Duty Power Connectors](#) category:*

*Click to view products by [Panduit](#) manufacturer:*

Other Similar products are found below :

[647757-1](#) [6643411-1](#) [6646058-2](#) [6646137-1](#) [6646138-1](#) [6646479-1](#) [6646608-1](#) [6646786-1](#) [6646940-1](#) [6651091-1](#) [6651525-1](#) [6651529-1](#)  
[6651788-1](#) [696475-1](#) [702-32-01109](#) [703-25-02205](#) [73000005059](#) [73000005642](#) [765-15-0080A](#) [765-16-0080B](#) [765-18-0080D](#) [829992-1](#)  
[902-77-02113](#) [PS00/A0620/6300](#) [129-1J](#) [1409400](#) [AN0024023](#) [E6374G1](#) [e6389g2](#) [157-43GW8](#) [MS3117-14AC](#) [1643543-1](#) [1650540-1](#)  
[1651811-2](#) [1766260-1](#) [1766282-1](#) [1766966-1](#) [1791340000](#) [NLDFT-3-BL-L-S120-M40A](#) [NLDFT-N-W-L-C240-M40B](#) [NLS-2-R-C240-](#)  
[M40B](#) [NLS-N-W-C240-M40B](#) [NPS-3-BL-T6](#) [1986615-1](#) [2-1589900-8](#) [2199314-1](#) [KA8102](#) [9300480317](#) [SBS50BRN#6](#) [29131](#)