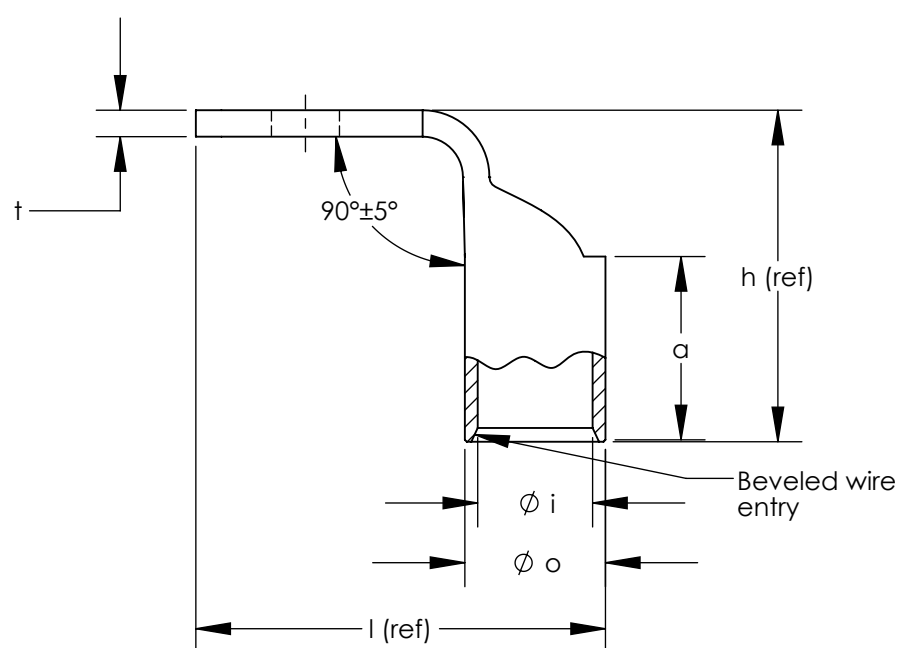
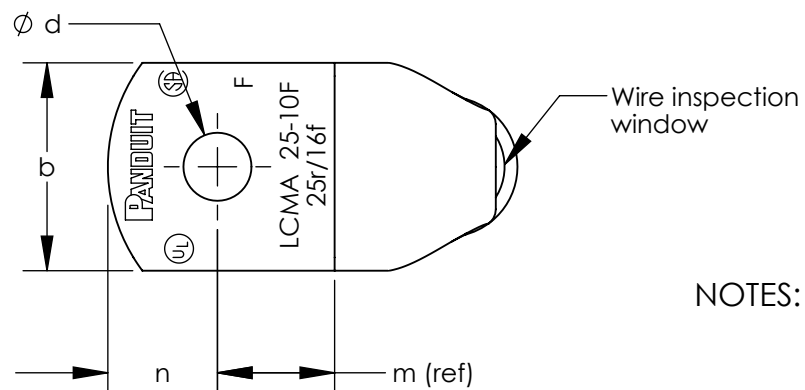


ALL DIMENSIONS ARE IN mm

Part Number	Class 2r Wire Size	Class 5f & 6f Wire Size	Stud Size	Wire Strip Length	Panduit Die Index No. For Class 2r Wire Circumferential Dies	Panduit Die Index No. For Class 5f & 6f Wire Circumferential Dies	Panduit Die Index No. For Class 5f & 6f Wire Nest/Indenter Dies	l (ref)	h (ref)	o ±.50	i ±.50	a ±2.25	m (ref)	n ±1.25	d ±.50	b ±1.25	t
LCMA 10-5F-C	10 mm ²	----	M5	12.50	P21	----	----	24.5	19.0	6.20	4.50	11.0	9.8	6.0	5.50	11.0	1.20 ± .35
LCMA 10-6F-C	10 mm ²	----	M6	12.50	P21	----	----	24.5	19.0	6.20	4.50	11.0	9.8	6.0	6.60	11.0	1.20 ± .35
LCMA 10-8F-C	10 mm ²	----	M8	13.00	P21	----	----	25.2	18.3	6.20	4.50	11.5	8.5	8.0	9.00	13.0	1.05 ± .35
LCMA 10-10F-C	10 mm ²	----	M10	13.00	P21	----	----	26.2	18.5	7.14	4.36	11.5	8.5	8.0	11.00	14.5	1.65 ± .35
LCMA 16-5F-C	16 mm ²	10 mm ²	M5	16.00	P21	P21	P29/1	26.5	21.7	7.20	5.50	14.5	10.3	6.5	5.50	13.0	1.26 ± .40
LCMA 16-6F-C	16 mm ²	10 mm ²	M6	16.00	P21	P21	P29/1	26.5	21.7	7.20	5.50	14.5	10.3	6.5	6.60	13.0	1.26 ± .40
LCMA 16-8F-C	16 mm ²	10 mm ²	M8	16.00	P21	P21	P29/1	26.5	21.7	7.20	5.50	14.5	10.3	6.5	9.00	13.0	1.20 ± .40
LCMA 16-10F-C	16 mm ²	10 mm ²	M10	16.00	P21	P21	P29/1	27.9	22.5	7.20	5.50	14.5	10.2	8.0	11.00	15.0	1.10 ± .40
*LCMA25-5F-C	25 mm ²	16 mm ²	M5	16.50	P29	P21	P29/1	29.9	23.4	8.80	6.90	15.0	10.0	8.0	5.50	14.0	1.60 ± .40
LCMA 25-6F-C	25 mm ²	16 mm ²	M6	16.50	P29	P21	P29/1	29.9	23.4	8.80	6.90	15.0	10.0	8.0	6.60	14.0	1.60 ± .40
LCMA 25-8F-C	25 mm ²	16 mm ²	M8	16.50	P29	P21	P29/1	29.3	23.4	8.80	6.90	15.0	10.0	8.0	9.00	15.5	1.60 ± .40
LCMA 25-10F-C	25 mm ²	16 mm ²	M10	16.50	P29	P21	P29/1	29.9	23.3	8.80	6.90	15.0	10.0	8.0	11.00	15.5	1.50 ± .40

*cULus LISTED WIRE CONNECTOR



- NOTES:
1. Material: High conductivity seamless copper tube.
 2. Plating: Parts are annealed and tin plated.
 3. Wire Type: Class 2r, 5f & 6f Stranded Copper per DIN VDE 0295, IEC 60228 and HD 383.
 4. UL Listed Wire Connector: Yes, for applications up to 35kv. Consult cable manufacturer for voltage stress relief instructions with applications greater than 2000 volts.
 5. UL Temperature Rating: 90 ° C
 6. C.S.A. Certified Wire Connector: Yes
 7. Parts are CE and tested per EN 61238-1:2003/IEC 61238-1:2003 Class B, with Class 2r wire 10mm² - 25mm².

REV	DATE	BY	CHK	APR	DESCRIPTION	ECN
01	7/15	JHNU	JHNU	RGB	ADDED LCMA25-5F-C	11J033BM-JC
00	10/13	JHNU	TLCO	RGB	DRAWING RELEASED	11J033BM-JC

TITLE METRIC LUGS - LCMA ONE HOLE SERIES 10-25mm² 90° BENT STANDARD BARREL CUSTOMER DRAWING			
ITEM REVISION NAME 11J033BM/01		PANDUIT	
DATASET FILE NAME 11J033BM-JC/01.SLDDRW			
UNLESS OTHERWISE SPECIFIED, DIMENSIONAL TOLERANCES ARE: IN [mm]			
.X ± .XXX ±		DRAWING NUMBER 11J033BM-JC	
.XX ± ANGLES ±		THIRD ANGLE PROJECTION	
DRAWN BY JHNU	DATE 10/13	CHK TLCO	SCALE NONE
SHEET 1 OF 1			SIZE B

X-ON Electronics

Largest Supplier of Electrical and Electronic Components

Click to view similar products for [Terminals](#) category:

Click to view products by [Panduit](#) manufacturer:

Other Similar products are found below :

[00-054007-01074-6](#) [00-054007-70206-1](#) [00-054007-70210-8](#) [00-054007-70217-7](#) [00-054007-70226-9](#) [00-054007-70228-3](#) [00-054007-70248-1](#) [00-054007-70256-6](#) [00-054007-70301-3](#) [00-054007-70316-7](#) [0-0320562-0](#) [00-054007-49560-4](#) [00-054007-70209-2](#) [00-054007-70225-2](#) [00-054007-70227-6](#) [00-054007-70231-3](#) [00-054007-70241-2](#) [00-054007-70242-9](#) [00-054007-70244-3](#) [00-054007-70246-7](#) [00-054007-70263-4](#) [00-054007-70288-7](#) [00-054007-70290-0](#) [00-054007-70300-6](#) [00-054007-70304-4](#) [01-2065-1-0216](#) [01-2900-1-04412](#) [00581P0075](#) [600TS-10](#) [60205-1](#) [604200-1](#) [605601-1](#) [60598-1-CUT-TAPE](#) [61314-6-C](#) [61810-3](#) [61-S](#) [61-SN](#) [626-0194](#) [62-NBM-A](#) [62-SN](#) [62-SP](#) [63-S](#) [640179-1](#) [M55155/059I03](#) [M55155/079C01](#) [M55155/099H02](#) [M55155/109H01](#) [M55155/109H02](#) [M55155/12XH05](#) [M55155/16XH02](#)