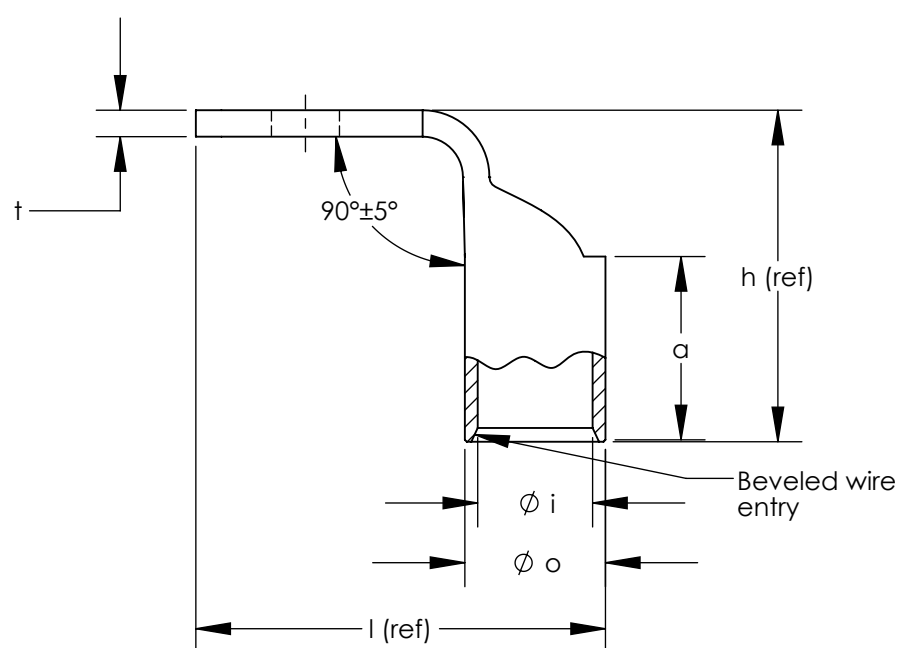
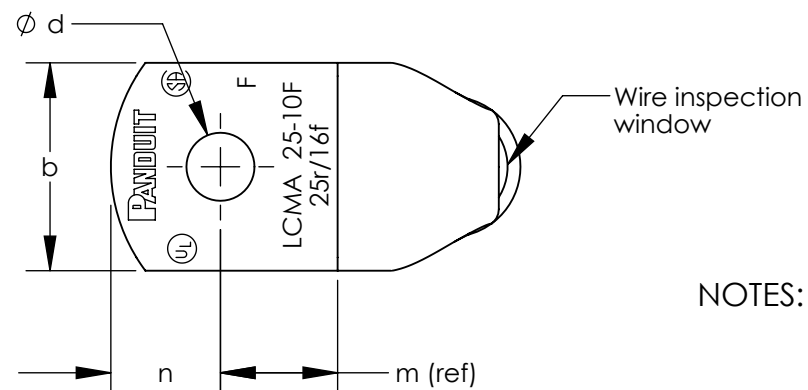


ALL DIMENSIONS ARE IN mm

| Part Number | Class 2r Wire Size | Class 5f & 6f Wire Size | Stud Size | Wire Strip Length | Panduit Die Index No. For Class 2r Wire Circumferential Dies | Panduit Die Index No. For Class 5f & 6f Wire Circumferential Dies | Panduit Die Index No. For Class 5f & 6f Wire Nest/Indentor Dies | l (ref) | h (ref) | o ±.50 | i ±.50 | a ±2.25 | m (ref) | n ±1.25 | d ±.50 | b ±1.25 | t |
|---------------|--------------------|-------------------------|-----------|-------------------|--|---|---|---------|---------|--------|--------|---------|---------|---------|--------|---------|------------|
| LCMA 10-5F-C | 10 mm ² | ---- | M5 | 12.50 | P21 | ---- | ---- | 24.5 | 19.0 | 6.20 | 4.50 | 11.0 | 9.8 | 6.0 | 5.50 | 11.0 | 1.20 ± .35 |
| LCMA 10-6F-C | 10 mm ² | ---- | M6 | 12.50 | P21 | ---- | ---- | 24.5 | 19.0 | 6.20 | 4.50 | 11.0 | 9.8 | 6.0 | 6.60 | 11.0 | 1.20 ± .35 |
| LCMA 10-8F-C | 10 mm ² | ---- | M8 | 13.00 | P21 | ---- | ---- | 25.2 | 18.3 | 6.20 | 4.50 | 11.5 | 8.5 | 8.0 | 9.00 | 13.0 | 1.05 ± .35 |
| LCMA 10-10F-C | 10 mm ² | ---- | M10 | 13.00 | P21 | ---- | ---- | 26.2 | 18.5 | 7.14 | 4.36 | 11.5 | 8.5 | 8.0 | 11.00 | 14.5 | 1.65 ± .35 |
| LCMA 16-5F-C | 16 mm ² | 10 mm ² | M5 | 16.00 | P21 | P21 | P29/1 | 26.5 | 21.7 | 7.20 | 5.50 | 14.5 | 10.3 | 6.5 | 5.50 | 13.0 | 1.26 ± .40 |
| LCMA 16-6F-C | 16 mm ² | 10 mm ² | M6 | 16.00 | P21 | P21 | P29/1 | 26.5 | 21.7 | 7.20 | 5.50 | 14.5 | 10.3 | 6.5 | 6.60 | 13.0 | 1.26 ± .40 |
| LCMA 16-8F-C | 16 mm ² | 10 mm ² | M8 | 16.00 | P21 | P21 | P29/1 | 26.5 | 21.7 | 7.20 | 5.50 | 14.5 | 10.3 | 6.5 | 9.00 | 13.0 | 1.20 ± .40 |
| LCMA 16-10F-C | 16 mm ² | 10 mm ² | M10 | 16.00 | P21 | P21 | P29/1 | 27.9 | 22.5 | 7.20 | 5.50 | 14.5 | 10.2 | 8.0 | 11.00 | 15.0 | 1.10 ± .40 |
| *LCMA25-5F-C | 25 mm ² | 16 mm ² | M5 | 16.50 | P29 | P21 | P29/1 | 29.9 | 23.4 | 8.80 | 6.90 | 15.0 | 10.0 | 8.0 | 5.50 | 14.0 | 1.60 ± .40 |
| LCMA 25-6F-C | 25 mm ² | 16 mm ² | M6 | 16.50 | P29 | P21 | P29/1 | 29.9 | 23.4 | 8.80 | 6.90 | 15.0 | 10.0 | 8.0 | 6.60 | 14.0 | 1.60 ± .40 |
| LCMA 25-8F-C | 25 mm ² | 16 mm ² | M8 | 16.50 | P29 | P21 | P29/1 | 29.3 | 23.4 | 8.80 | 6.90 | 15.0 | 10.0 | 8.0 | 9.00 | 15.5 | 1.60 ± .40 |
| LCMA 25-10F-C | 25 mm ² | 16 mm ² | M10 | 16.50 | P29 | P21 | P29/1 | 29.9 | 23.3 | 8.80 | 6.90 | 15.0 | 10.0 | 8.0 | 11.00 | 15.5 | 1.50 ± .40 |

*cULus LISTED WIRE CONNECTOR



- NOTES:
1. Material: High conductivity seamless copper tube.
 2. Plating: Parts are annealed and tin plated.
 3. Wire Type: Class 2r, 5f & 6f Stranded Copper per DIN VDE 0295, IEC 60228 and HD 383.
 4. UL Listed Wire Connector: Yes, for applications up to 35kv. Consult cable manufacturer for voltage stress relief instructions with applications greater than 2000 volts.
 5. UL Temperature Rating: 90 ° C
 6. C.S.A. Certified Wire Connector: Yes
 7. Parts are CE and tested per EN 61238-1:2003/IEC 61238-1:2003 Class B, with Class 2r wire 10mm² - 25mm².



| REV | DATE | BY | CHK | APR | DESCRIPTION | ECN |
|-----|-------|------|------|-----|-------------------|-------------|
| 01 | 7/15 | JHNU | JHNU | RGB | ADDED LCMA25-5F-C | 11J033BM-JC |
| 00 | 10/13 | JHNU | TLCO | RGB | DRAWING RELEASED | 11J033BM-JC |

| | | | |
|--|---------------|----------------------------|---------------|
| TITLE METRIC LUGS - LCMA ONE HOLE SERIES 10-25mm² 90° BENT STANDARD BARREL CUSTOMER DRAWING | | | |
| ITEM REVISION NAME | | 11J033BM/01 | |
| DATASET FILE NAME | | 11J033BM-JC/01.SLDDRW | |
| UNLESS OTHERWISE SPECIFIED, DIMENSIONAL TOLERANCES ARE: IN [mm] | | | |
| .X ± | .XXX ± | DRAWING NUMBER 11J033BM-JC | |
| .XX ± | ANGLES ± | SHEET 1 OF 1 | |
| DRAWN BY JHNU | DATE 10/13 | CHK TLCO | SCALE NONE |
| THIRD ANGLE PROJECTION | | SIZE B | |

X-ON Electronics

Largest Supplier of Electrical and Electronic Components

Click to view similar products for [Fixed Terminal Blocks](#) category:

Click to view products by [Panduit](#) manufacturer:

Other Similar products are found below :

[00175550202](#) [MBE-1512](#) [MBE-1520](#) [MBE-154](#) [MBE-156](#) [MBES-1510](#) [MBES-153](#) [MBES-156](#) [MH-2512](#) [MHE-132](#) [MHE-133](#) [MHE-163](#)
[MI-254 \(35\)](#) [MI-272](#) [8739](#) [880507](#) [880508](#) [MPT-275](#) [1546551-6](#) [ELM023100](#) [ELM10110G](#) [ELVD12100](#) [BA311TU](#) [BA411SU](#) [MV-152](#)
[MV-253/NCNOC](#) [MV-254-D](#) [MV-255](#) [MV-462](#) [MV-472](#) [MV-493](#) [MVE-252](#) [MVE-253](#) [MVE-258](#) [MVE-273](#) [MVEB-153](#) [1700096](#)
[1702246](#) [1705142](#) [1712417](#) [1713020](#) [1713088](#) [1776118-2](#) [1790852](#) [1-796689-8](#) [1-796692-6](#) [1800001](#) [1800114](#) [1823215](#) [1838462](#)