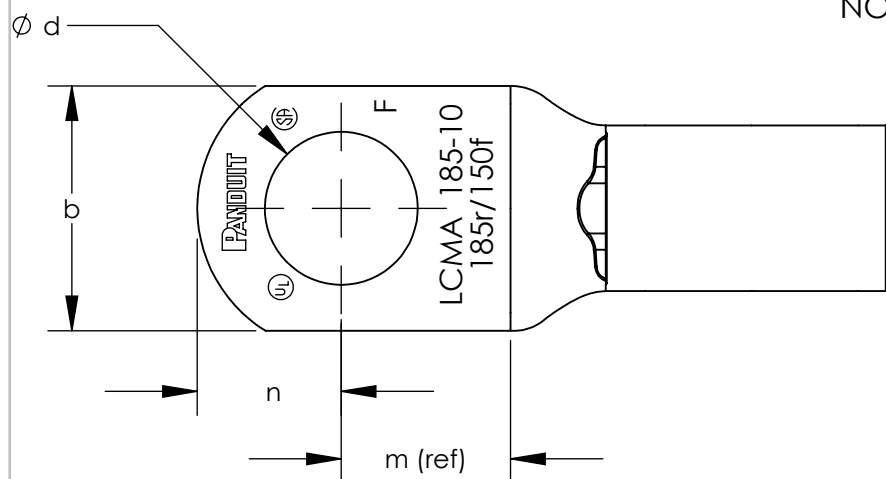


Part Number	Class 2r Wire Size	Class 5f & 6f Wire Size	Stud Size	Wire Strip Length	ALL DIMENSIONS IN mm			l±2.76	o±.50	i±.50	a±2.25	m (ref)	n±2.25	d±.50	b±2.25	t ± .70
					Panduit Die Index No. For Class 2r Wire Circumferential Dies	Panduit Die Index No. For Class 5f & 6f Wire Circumferential Dies	Panduit Die Index No. For Class 5f & 6f Wire Nest/Indenter Dies									
*LCMA185-8-X	185mm	150mm	M8	29.7	P76	---	P76/4	72.5	23.00	18.60	28.2	16.5	17.5	9.00	33.5	4.55
LCMA185-10-X	185mm	150mm	M10	29.7	P76	---	P76/4	72.5	23.00	18.60	28.2	16.5	17.5	11.00	33.5	4.55
LCMA185-12-X	185mm	150mm	M12	29.7	P76	---	P76/4	72.5	23.00	18.60	28.2	16.5	17.5	14.00	33.5	4.55
LCMA185-16-X	185mm	150mm	M16	29.7	P76	---	P76/4	72.5	23.00	18.60	28.2	16.5	17.5	18.00	33.5	4.40
LCMA185-20-X	185mm	150mm	M20	29.7	P76	---	P76/4	77.0	23.00	18.60	28.2	21.0	17.5	22.00	33.5	4.40
LCMA240-10-X	240mm	185mm	M10	36.5	P87	---	P87/4	86.5	26.00	20.80	35.0	21.0	19.5	11.00	37.5	5.30
LCMA240-12-X	240mm	185mm	M12	36.5	P87	---	P87/4	86.5	26.00	20.80	35.0	21.0	19.5	14.00	37.5	5.30
LCMA240-16-X	240mm	185mm	M16	36.5	P87	---	P87/4	86.5	26.00	20.80	35.0	21.0	19.5	18.00	37.5	5.30
LCMA240-20-X	240mm	185mm	M20	36.5	P87	---	P87/4	86.5	26.00	20.80	35.0	21.0	19.5	22.00	37.5	5.20
LCMA300-10-5	300mm	240mm	M10	41.8	P94	---	P106/6	94.5	29.00	23.50	40.3	22.0	20.0	11.00	42.5	5.40
LCMA300-12-5	300mm	240mm	M12	41.8	P94	---	P106/6	94.5	29.00	23.50	40.3	25.0	20.0	14.00	42.5	5.40
LCMA300-16-5	300mm	240mm	M16	41.8	P94	---	P106/6	94.5	29.00	23.50	40.3	22.0	20.0	18.00	42.5	5.40
LCMA300-20-5	300mm	240mm	M20	41.8	P94	---	P106/6	94.5	29.00	23.50	40.3	22.0	20.0	22.00	42.5	5.30
LCMAX300-10-5	375mm	300mm 5f Only	M10	46.3	---	---	P32/6	108.0	33.00	26.20	44.8	26.5	23.5	11.00	48.0	6.70
LCMAX300-12-5	375mm		M12	46.3	---	---	P32/6	107.0	33.00	26.20	44.8	26.5	23.5	14.00	48.0	6.70
LCMAX300-16-5	375mm		M16	46.3	---	---	P32/6	107.0	33.00	26.20	44.8	26.5	23.5	18.00	48.0	6.70
LCMAX300-20-5	375mm		M20	46.3	---	---	P32/6	107.0	33.00	26.20	44.8	26.5	23.5	22.00	48.0	6.70
LCMA400-12-5	400mm	---	M12	46.3	P106	---	---	107.0	34.50	27.00	44.8	26.5	23.5	14.00	49.5	7.50
LCMA400-16-5	400mm	---	M16	46.3	P106	---	---	107.0	34.50	27.00	44.8	26.5	23.5	18.00	49.5	7.50
LCMA400-20-5	400mm	---	M20	46.3	P106	---	---	107.0	34.50	27.00	44.8	26.5	23.5	22.00	49.5	7.50
LCMA500-12-1	500mm	---	M12	48.0	P125	---	---	121.0	40.00	31.00	46.5	28.5	25.5	14.00	57.5	8.90
LCMA500-16-1	500mm	---	M16	48.0	P125	---	---	121.0	40.00	31.00	46.5	28.5	25.5	18.00	57.5	8.90
LCMA500-20-1	500mm	---	M20	48.0	P125	---	---	121.0	40.00	31.00	46.5	28.5	25.5	22.00	57.5	8.90
LCMA630-12-1	630mm	---	M12	57.7	P125	---	---	132.0	44.00	34.50	56.2	28.5	27.5	14.00	63.0	9.40
LCMA630-16-1	630mm	---	M16	57.7	P125	---	---	132.0	44.00	34.50	56.2	28.5	27.5	18.00	63.0	9.40
LCMA630-20-1	630mm	---	M20	57.7	P125	---	---	132.0	44.00	34.50	56.2	28.5	27.5	22.00	63.0	9.40

*cULus LISTED WIRE CONNECTOR



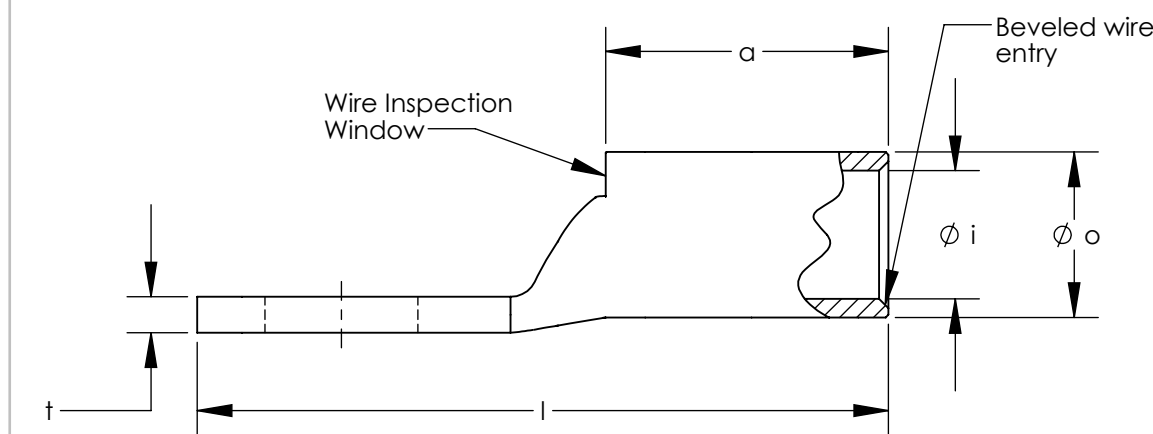
- NOTES:
1. Material: High conductivity seamless copper tube.
 2. Plating: Parts are annealed and tin plated.
 3. Wire Type: Class 2r, 5f & 6f Stranded Copper per DIN VDE 0295, IEC 60228 and HD 383.
 4. UL Listed Wire Connector: Yes, for applications up to 35kv. Consult cable manufacturer for voltage stress relief instructions with applications greater than 2000 volts.
 5. UL Temperature Rating: 90° C
 6. C.S.A. Certified Wire Connector: Yes
 7. Parts are CE and tested per EN 61238-1:2003/IEC 61238-1:2003 Class B, with Class 2r wire 185mm² - 240mm².



LISTED Wire Connector

LISTED Wire Connector

CERTIFIED



REV	DATE	BY	CHK	APR	DESCRIPTION	ECN
05	2/17	JHNU	JHNU	RGB	REVISED TONGUE THICKNESS DIMENSION	13J059BG-JC
04	11/16	JHNU	JHNU	RGB	ADDED LCMA630-12-1	13J059BG-JC
03	7/15	JHNU	TLCO	RGB	ADDED LCMA185-8-X	13J059BG-JC
02	6/14	JHNU	TLCO	RGB	ADDED 5f ONLY TO WIRE SIZE FOR X300 PARTS	13J059BG-JC
01	6/14	JHNU	TLCO	RGB	REVISED I DIM: LCMAX300-10 WAS 107.0, LCMA500 PARTS WERE 120.0, LCMA630 PARTS WERE 131.0 REVISED m DIM: LCMA300-12 WAS 22.0	13J059BG-JC
00	4/14	JHNU	TLCO	RGB	DRAWING RELEASED	

TITLE
METRIC LUGS - LCMA ONE HOLE SERIES 185-630mm STANDARD BARREL CUSTOMER DRAWING

ITEM REVISION NAME: 13J059BG/05

DATASET FILE NAME: 13J059BG-JC/05.SLDDRW

UNLESS OTHERWISE SPECIFIED, DIMENSIONAL TOLERANCES ARE: IN [mm]

.X ± .XXX ±
.XX ± ANGLES ±

THIRD ANGLE PROJECTION

DRAWN BY: JHNU DATE: 12/13 CHK: TLCO SCALE: NONE

MATERIAL: SEE NOTES

DRAWING NUMBER: 12J059BG-JC

SHEET 1 OF 1 SIZE: B

X-ON Electronics

Largest Supplier of Electrical and Electronic Components

Click to view similar products for [Terminals](#) category:

Click to view products by [Panduit](#) manufacturer:

Other Similar products are found below :

[00-054007-01074-6](#) [00-054007-70206-1](#) [00-054007-70210-8](#) [00-054007-70217-7](#) [00-054007-70226-9](#) [00-054007-70228-3](#) [00-054007-70248-1](#) [00-054007-70256-6](#) [00-054007-70301-3](#) [00-054007-70316-7](#) [0-0320562-0](#) [00-054007-49560-4](#) [00-054007-70209-2](#) [00-054007-70225-2](#) [00-054007-70227-6](#) [00-054007-70231-3](#) [00-054007-70241-2](#) [00-054007-70242-9](#) [00-054007-70244-3](#) [00-054007-70246-7](#) [00-054007-70263-4](#) [00-054007-70288-7](#) [00-054007-70290-0](#) [00-054007-70300-6](#) [00-054007-70304-4](#) [01-2065-1-0216](#) [01-2900-1-04412](#) [00581P0075](#) [600TS-10](#) [60205-1](#) [604200-1](#) [605601-1](#) [60598-1-CUT-TAPE](#) [61314-6-C](#) [61810-3](#) [61-S](#) [61-SN](#) [626-0194](#) [62-NBM-A](#) [62-SN](#) [62-SP](#) [63-S](#) [640179-1](#) [M55155/059I03](#) [M55155/079C01](#) [M55155/099H02](#) [M55155/109H01](#) [M55155/109H02](#) [M55155/12XH05](#) [M55155/16XH02](#)