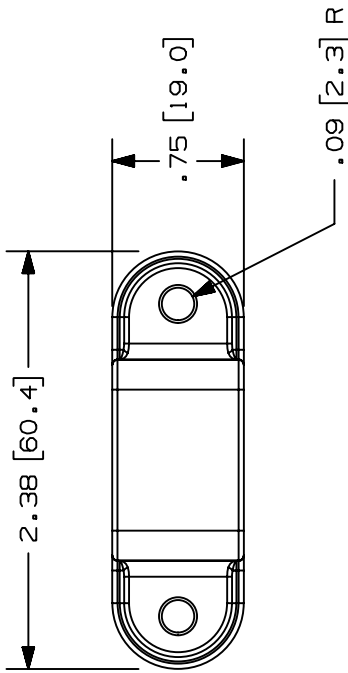
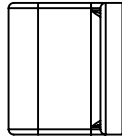
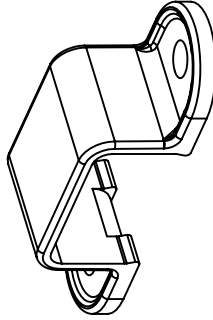
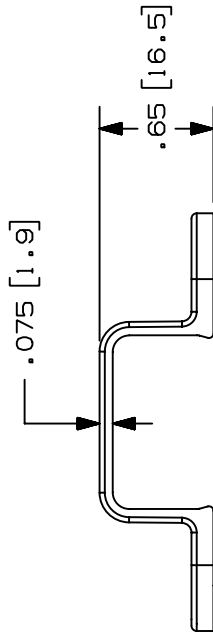


THIS COPY IS PROVIDED ON A RESTRICTED BASIS AND IS NOT TO BE USED IN ANY WAY DETRIMENTAL TO THE INTERESTS OF PANDUIT CORP.

PANDUIT P/N	WEIGHT
LMD5	.09 LBS/10 PCS. .4 G/10 PCS.



- NOTES:
- SEE CURRENT CATALOG FOR ADDITIONAL PART NUMBER SUFFIXES TO INDICATE COLOR AND OR PACKAGE QUANTITY.
 - DIMENSIONS IN PARENTHESES ARE IN METRIC.
 - INTERFERENCE FIT BETWEEN STRAP AND RACEWAY FOR EASE OF INSTALLATION.
 - STRAPS CAN BE USED AS COUPLER BETWEEN RACEWAY SECTIONS.
 - STRAPS CAN BE USED WITH LD AND LDP RACEWAYS TO PROVIDE COMPLETE TAMPER RESISTANCE.



CAO FILENAME/LAYERS D35541CS_LMD5_C-02.PRT

PANDUIT CORP. TINLEY PARK, ILLINOIS

MOUNTING STRAP FOR LDS5
DOUBLE HOLE (LMD5)
CUSTOMER DRAWING

UNLESS OTHERWISE SPECIFIED,
DIMENSIONAL TOLERANCES ARE:
(.X) ± (.XXX) ±.010 (.3)
(.XX) ±.03 (.8) ANGLES ±

UNLESS OTHERWISE SPECIFIED,
ALL DIMENSIONS ARE GIVEN
IN INCHES, THIRD ANGLE PROJECTION.

DRAWN BY PM

DATE 10-02-96

CHK'D CEF

MAT'L: PVC

SCALE FULL

DRAWING NO. 35541-45

DWG SIZE A

DESCRIPTION

ECN - R

SUP

CEP

CEP

CEP

CEP

2 03-08-04 JHEP RGR0 B. REMOVED CD FROM NOTE 5 35541-45 RGR0 RGR0

1 07-08-98 DW HIW A. REVISED MATERIAL AND WEIGHT 35541-45 HIW HIW

R 10-02-96 PM CEP RELEASED TO PRODUCTION 35541-45 CEP CEF

REV DATE BY CHK

X-ON Electronics

Largest Supplier of Electrical and Electronic Components

Click to view similar products for [Wire Ducting & Raceways](#) category:

Click to view products by [Panduit](#) manufacturer:

Other Similar products are found below :

[800A-LB](#) [801I-LSP](#) [802A-ECSP](#) [802I-ICSP](#) [923223-000](#) [PRAF6WH-X](#) [A0405538](#) [1301150342](#) [1301160034](#) [1301170070](#) [1301180011](#)
[1301230083](#) [1301230153](#) [1301240273](#) [1301250006](#) [1302261238](#) [1302261321](#) [1302262552](#) [1302263103](#) [1302263178](#) [1302263259](#)
[1302263816](#) [1302263860](#) [1302264375](#) [1302264390](#) [1301150343](#) [1301160030](#) [1301170050](#) [1301170051](#) [1301170061](#) [1301180013](#)
[1301230086](#) [1301230130](#) [1301240054](#) [1302260055](#) [1302260376](#) [1302261343](#) [1302261344](#) [1302262674](#) [1302263095](#) [1302263166](#)
[1302263209](#) [1302263513](#) [1302263851](#) [1302263870](#) [1302264137](#) [1302264218](#) [DD1/J](#) [AX101472](#) [AX102007](#)