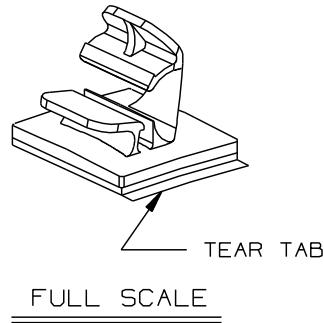
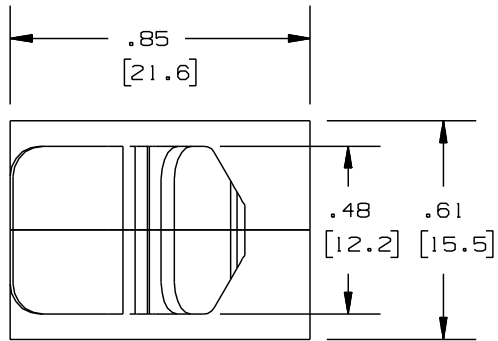


2

1

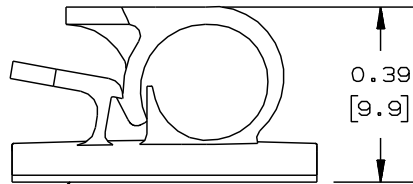
THIS COPY IS PROVIDED ON A RESTRICTED BASIS AND IS NOT TO BE USED IN ANY WAY DETRIMENTAL TO THE INTERESTS OF PANDUIT CORP.



PANDUIT PART NUMBER*	MAXIMUM CABLE DIA. in. (mm)	WEIGHT lbs. (g)/100pcs
LWC19-A	0.19 (4.8)	0.29 (130)

- NOTES:
- \*1) SEE <http://www.panduit.com> FOR PART NUMBER SUFFIX DESIGNATION, FOR PACKAGE SIZE.
  - 2) MOUNT IS DESIGNED TO SUPPORT 0.25 lbs (113.4g) MAX WEIGHT ON A CLEAN DRY SMOOTH SURFACE.

- TO APPLY LATCHING WIRE CLIP:
1. REMOVE PROTECTIVE LINER
  2. PLACE IN DESIRED LOCATION
  3. APPLY PRESSURE TO TOP OF LATCHING WIRE CLIP



ADHESIVE BACKING: PRESSURE SENSITIVE FOAM 0.04 (1.0) THICK WITH PROTECTIVE LINER TO EXTEND BEYOND EDGE FORMING A TEAR TAB.

NO WARRANTY, EXPRESSED OR IMPLIED, IS MADE BY PANDUIT WITH RESPECT TO ADHESIVE BOND PERFORMANCE, AMONG OTHER THINGS, THE CONDITIONS UNDER WHICH THESE MOUNTS MAY BE APPLIED, AND/OR THE SURFACE TO WHICH THEY MAY BE APPLIED, ARE BEYOND PANDUIT'S CONTROL.

DIMENSIONS IN BRACKETS ARE METRIC (mm)

REV	DATE	BY	CHK	APR	DESCRIPTION	ECN
3	8/05/13	BWG	MPH	RTF I	REVISED MAX. CABLE DIA. SEE ECN FOR DETAILS.	GB0239EH/03
3	8/05/13	BWG	MPH	RTF I	AND REVISED TITLE BORDER.	GB0239EH/03

TITLE <b>LWC19-A, LATCHING WIRE CLIP</b>		CUSTOMER DRAWING	
ITEM REVISION NAME 10B015EQ/02		<b>PANDUIT</b>	
DATASET FILE NAME 10B015EQ_DC/02 - GB0239EH_REV03			
UNLESS OTHERWISE SPECIFIED, DIMENSIONAL TOLERANCES ARE: IN (mm) .x ± 0.05 (1.3) .xxx ± 0.010 (0.25) .xx ± 0.02 (0.5) ANGLES ± 5°		MATERIAL: NYLON 6/6	
DRAWN BY AJV		DRAWING NUMBER: GB0239EH	
DATE 9-20-96	CHK	SCALE 2X	SIZE A
THIRD ANGLE PROJECTION		SHT 1 OF 1	

2

1

D101000A/16

## X-ON Electronics

Largest Supplier of Electrical and Electronic Components

*Click to view similar products for [Cable Mounting & Accessories](#) category:*

*Click to view products by [Panduit](#) manufacturer:*

Other Similar products are found below :

[582603-1](#) [009333-000](#) [727844N003](#) [747](#) [809090N001](#) [843188-000](#) [8666](#) [967279N002](#) [DB-11](#) [1300840039](#) [1300900096](#) [1301800416](#)  
[1302264450](#) [1300830184](#) [1300830729](#) [1300900039](#) [1301580036](#) [1301850553](#) [1301860939](#) [1302000074](#) [1302261315](#) [1302264431](#)  
[1337706-2](#) [APA18-AK](#) [1724](#) [1-787307-1](#) [185491N001](#) [1868](#) [HP-6N](#) [C-202-C](#) [202C221-13-0](#) [CA7308-000](#) [8S23-75FR-CS8184](#) [2684](#) [9648](#)  
[3089](#) [988382-000](#) [A72821-000](#) [AA401](#) [173506-000](#) [1823](#) [202C292-13-0](#) [202C302-13-0](#) [2109](#) [300625](#) [3330](#) [3412](#) [356247-1](#) [M9142](#)  
[M9143](#)