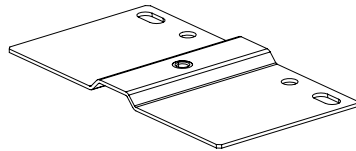
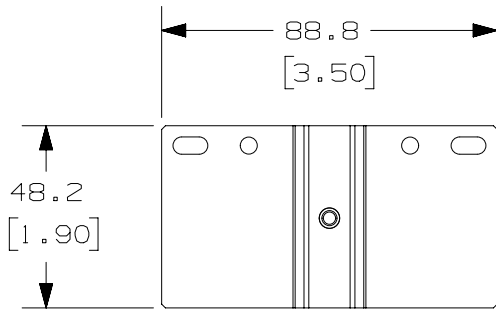
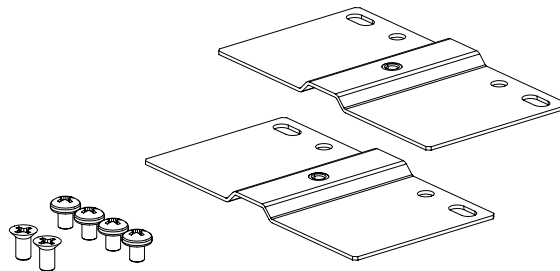


THIS COPY IS PROVIDED ON A RESTRICTED BASIS AND IS NOT TO BE USED IN ANY WAY DETRIMENTAL TO THE INTERESTS OF PANDUIT CORP.



ISO VIEW
DUAL SIDED
ADAPTER KIT

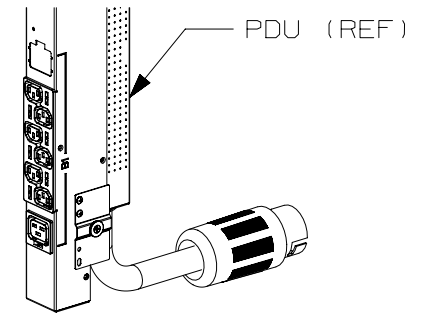


DUAL SIDED
ADAPTER KIT

PANDUIT P/N	WEIGHT
MA012	0.07 kg .16 LBS

NOTES:

- VISIT OUR ON-LINE CATALOG AT WWW.PANDUIT.COM FOR A LIST OF CURRENT PARTS APPLICABLE FOR USE WITH THIS PRODUCT.
- PRIMARY DIMENSIONS ARE IN MILLIMETERS (mm). SECONDARY DIMANSIONS ARE IN INCHES (IN).
- PARTS SUPPLIED:
 (2)- ADAPTER FOR STANDARD PDU
 (4)- M4X0.5 X 5.0 BUTTON HEAD FINE SCREW
 (2)- M4X0.7 X 8.0 FLAT HEAD MACHINE SCREW
 (1)- INSTALLATION INSTRUCTION SHEET



DUAL SIDED
ADAPTER KIT
ASSEMBLED TO PDU
SCALE: NONE

REV	DATE	BY	CHK	APR	DESCRIPTION	ECN
01A	11/29/17	NILI	GLM	JAWI	METALWORK MODIFIED, NOTES UPDATED	00102FCB
00A	7-21-17	LEE	MCIS		RELEASED TO PRODUCITON	V09001HT/02

TITLE		STANDARD ADAPTER KIT - MA012	
ITEM REVISION NAME		CUSTOMER DRAWING	
DATASET FILE NAME		00102FCB/01	PANDUIT
		00102FCB_DC_01A	
MATERIAL:		N/A	
DRAWING NUMBER:		00102FCB_DC	
THIRD ANGLE PROJECTION			
DRAWN BY	DATE	CHK	SCALE
LEE	7-21-17	MSIC	1:2
SHT 1 OF 1		A	

D10100DA/16

X-ON Electronics

Largest Supplier of Electrical and Electronic Components

Click to view similar products for [Racks & Rack Cabinet Accessories](#) category:

Click to view products by [Panduit](#) manufacturer:

Other Similar products are found below :

[M00-PLN](#) [F2424](#) [8351-832-A-24](#) [9104](#) [9105](#) [PLFF2000](#) [H-9163-B](#) [1427C3](#) [HTS10](#) [PC-79](#) [SC10-3A](#) [SC4-28](#) [CG3-340S/12](#) [CP-001BK](#)
[M6123-4007-SS](#) [AX61400TB](#) [TS170](#) [LP40](#) [5261304-07](#) [CG3-160G](#) [7112C-PLN](#) [ALUM](#) [CM10](#) [8610-3124-S-26](#) [TS81](#) [7142](#) [GP134](#)
[M6125-4007-A-24](#) [M6127-4007-SS](#) [PBCOVER](#) [512](#) [AEG-4000G](#) [AEG-3000G](#) [HD99](#) [SR2-66A2](#) [FP10B4HP-1](#) [FP52-2](#) [1406-1006-01](#)
[29478](#) [TS2535](#) [TS169-6](#) [CAC2](#) [HA19-3U](#) [BR-19-10-1](#) [TS180](#) [CG3-ESD](#) [SC11-1](#) [CFS-1.00/2.20](#) [AX6145WM](#) [HEC0800PB](#) [ZC633R](#)