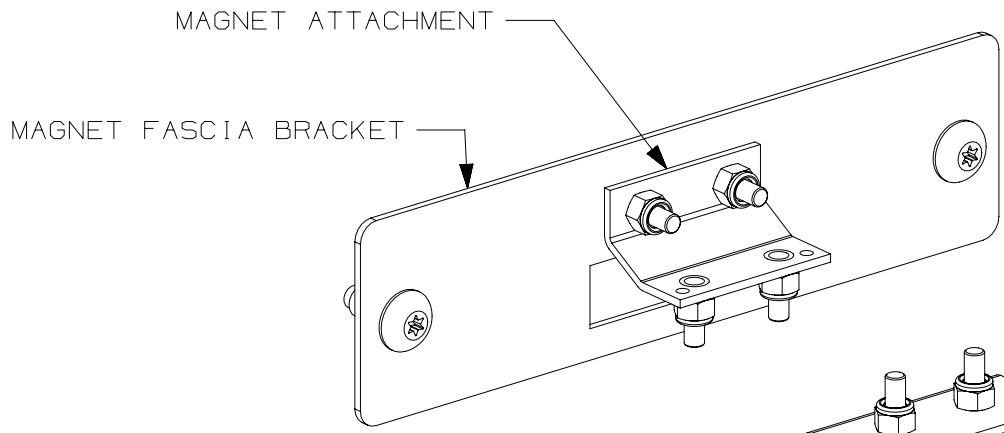
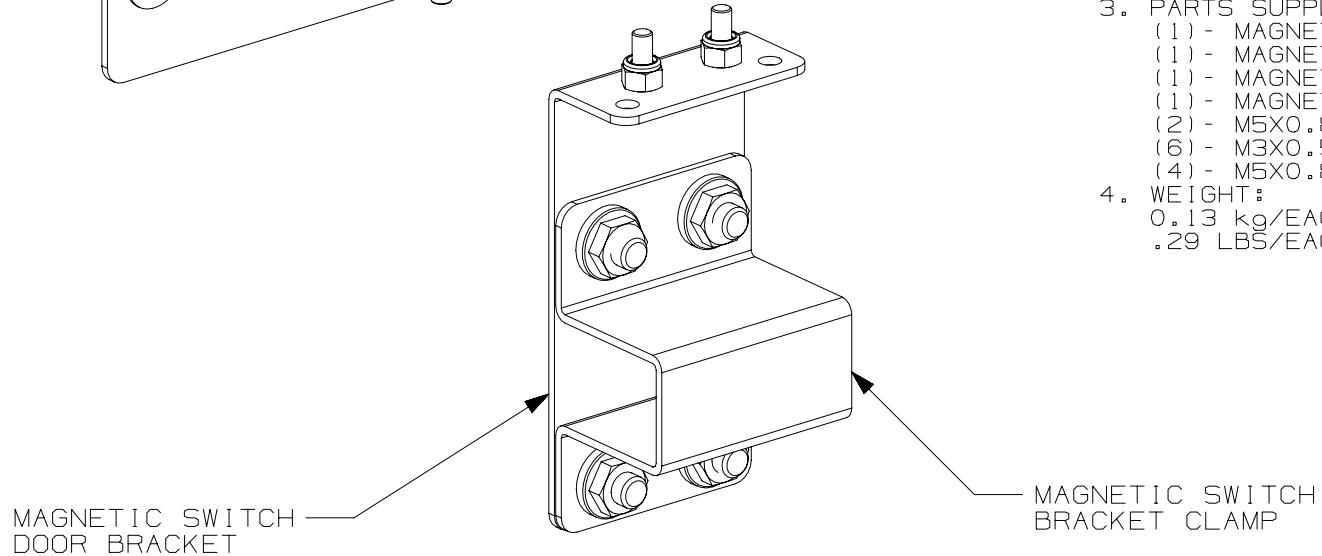


THIS COPY IS PROVIDED ON A RESTRICTED BASIS AND IS NOT TO BE USED IN ANY WAY DETRIMENTAL TO THE INTERESTS OF PANDUIT CORP.



PANDUIT P/N	COLOR
MA015	BLACK
MA015W	WHITE
MA015G	GRAY

- NOTES:
- VISIT OUR ON-LINE CATALOG AT [WWW.PANDUIT.COM](http://WWW.PANDUIT.COM) FOR A LIST OF CURRENT PARTS APPLICABLE FOR USE WITH THIS PRODUCT.
  - PRIMARY DIMENSIONS ARE IN MILLIMETERS (mm), SECONDARY DIMENSIONS IN [ INCHES ].
  - PARTS SUPPLIED:  
 (1)- MAGNET ATTACHMENT  
 (1)- MAGNET FASCIA BRACKET  
 (1)- MAGNETIC SWITCH DOOR BRACKET  
 (1)- MAGNETIC SWITCH BRACKET CLAMP  
 (2)- M5X0.8 BUTTON HEAD SCREWS  
 (6)- M3X0.5 NYLON INSERT LOCKNUT  
 (4)- M5X0.8 SERRATED FLANGE HEX NUT
  - WEIGHT:  
 0.13 kg/EACH  
 .29 LBS/EACH



REV	DATE	BY	CHK	APR	DESCRIPTION	ECN
01A	03-09-18	NILI	DACU	EDM	RELEASED FOR PRODUCTION	15V120AB
00A	11-28-17	LEE	BAO		RELEASED FOR QUOTE	V09001KZ

TITLE		FRONT DOOR SWITCH SENSOR BRACKET (MA015) CUSTOMER DRAWING	
ITEM REVISION NAME		15V120AB/01	
DATASET FILE NAME		15V120AB_DC/01A	
MATERIAL:		N/A	
DRAWING NUMBER:		15V120AB_DC	
DRAWN BY	DATE	CHK	SCALE
LEE	11-28-17	BAO	NONE
THIRD ANGLE PROJECTION		SHT 1 OF 1	
SIZE		A	

D10100DA/16

## X-ON Electronics

Largest Supplier of Electrical and Electronic Components

*Click to view similar products for [Cable Mounting & Accessories](#) category:*

*Click to view products by [Panduit](#) manufacturer:*

Other Similar products are found below :

[HP-4N](#) [582603-1](#) [009333-000](#) [727844N003](#) [809090N001](#) [8109](#) [843188-000](#) [843459N001](#) [843460N003](#) [8666](#) [967279N002](#) [GPQC1/0](#) [DB-](#)  
[11](#) [1300830208](#) [1300840039](#) [1300900026](#) [1300990052](#) [1301740005](#) [1301800121](#) [1301800416](#) [1300830184](#) [1300990149](#) [1301580036](#)  
[1301720103](#) [1301720135](#) [1301720152](#) [1301720157](#) [1301740009](#) [1301770011](#) [1301850553](#) [1301860939](#) [1302000074](#) [1302264431](#)  
[1337706-2](#) [APA18-AK](#) [MTX6UTPSRC-C](#) [1-787307-1](#) [185491N001](#) [HP-6N](#) [C-202-C](#) [202C221-13-0](#) [OMTM-S10-C0](#) [205339-4](#) [CA7308-](#)  
[000](#) [8S23-75FR-CS8184](#) [2684](#) [9648](#) [3089](#) [988382-000](#) [A0270164](#)