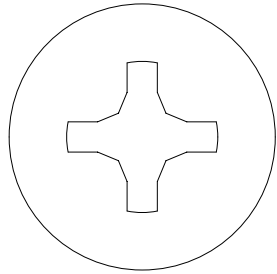
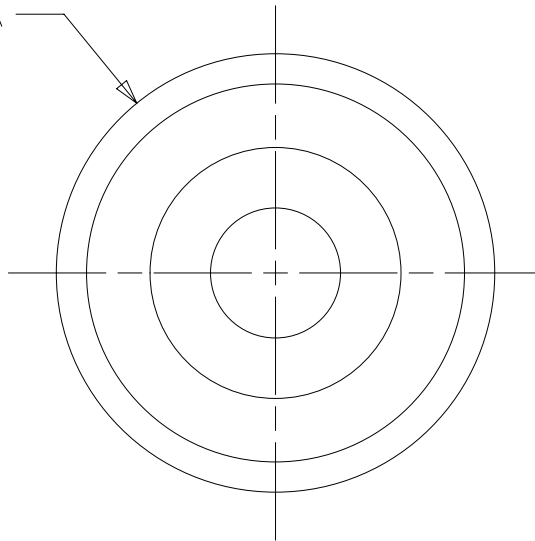


THIS COPY IS PROVIDED ON A RESTRICTED BASIS AND IS NOT TO BE USED IN ANY WAY DETRIMENTAL TO THE INTERESTS OF PANDUIT CORP.



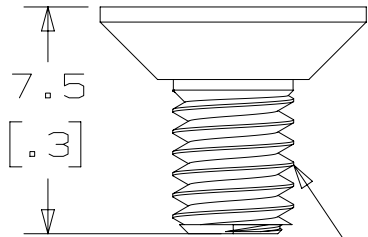
14.5 DIA
[.57]



| PANDUIT P/N | WEIGHT |
|-------------|----------------------|
| MA018 | .05 kg (.120 lbs) |

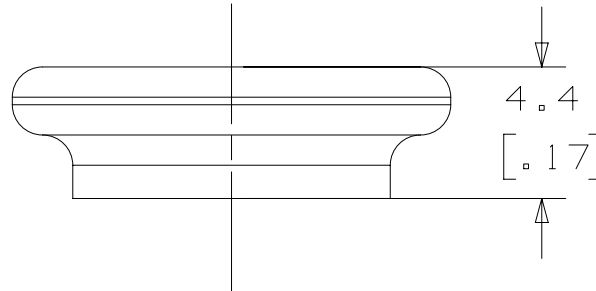
NOTES:

- VISIT OUR ON-LINE CATALOG AT WWW.PANDUIT.COM FOR A LIST OF CURRENT PARTS APPLICABLE FOR USE WITH THIS PRODUCT.
- PRIMARY DIMENSIONS ARE IN MILLIMETERS (mm). SECONDARY DIMENSIONS ARE IN INCHES (IN).
- PARTS SUPPLIED:
 (20)- SMALL DIAMETER MOUNTING BUTTONS
 (20)- M4X0.5 X 7.5 FINE PITCH THREAD COUNTERSINK SCREWS
 (1)- INSTALLATION INSTRUCTION



7.5
[.3]

M4X0.5



4.4
[.17]

| REV | DATE | BY | CHK | APR | DESCRIPTION | ECN |
|-----|------------|------|-----|------|------------------------|----------|
| 00A | 01/25/2019 | PJST | MIM | JAWI | RELEASED TO PRODUCTION | AA0339AP |

| | | | |
|--|--------------------|--------------------------------|--------------|
| TITLE SMALL DIAMETER BUTTON MOUNTING KIT | | CUSTOMER DRAWING | |
| ITEM REVISION NAME AA0339AP/00 | | PANDUIT | |
| DATASET FILE NAME AA0339AP_DC/00A | | | |
| DRAWING NUMBER: AA0339AP_DC | | MATERIAL: N/A | |
| THIRD ANGLE PROJECTION | | DRAWING NUMBER: AA0339AP_DC | |
| DRAWN BY PJST | DATE 01/25/2019 | CHK MIM | SCALE 1:1 |
| SHT 1 OF 1 | | SIZE A | |

D110100DA/16

X-ON Electronics

Largest Supplier of Electrical and Electronic Components

Click to view similar products for [Racks & Rack Cabinet Accessories](#) category:

Click to view products by [Panduit](#) manufacturer:

Other Similar products are found below :

[M00-PLN](#) [F2424](#) [8351-832-A-24](#) [9104](#) [9105](#) [PLFF2000](#) [H-9163-B](#) [1427C3](#) [HTS10](#) [PC-79](#) [SC10-3A](#) [SC4-28](#) [CG3-340S/12](#) [CP-001BK](#)
[M6123-4007-SS](#) [AX61400TB](#) [TS170](#) [LP40](#) [5261304-07](#) [CG3-160G](#) [7112C-PLN](#) [ALUM](#) [CM10](#) [8610-3124-S-26](#) [TS81](#) [7142](#) [GP134](#)
[M6125-4007-A-24](#) [M6127-4007-SS](#) [PBCOVER](#) [512](#) [AEG-4000G](#) [AEG-3000G](#) [HD99](#) [SR2-66A2](#) [FP10B4HP-1](#) [FP52-2](#) [1406-1006-01](#)
[29478](#) [TS2535](#) [TS169-6](#) [CAC2](#) [HA19-3U](#) [BR-19-10-1](#) [TS180](#) [CG3-ESD](#) [SC11-1](#) [CFS-1.00/2.20](#) [AX6145WM](#) [HEC0800PB](#) [ZC633R](#)